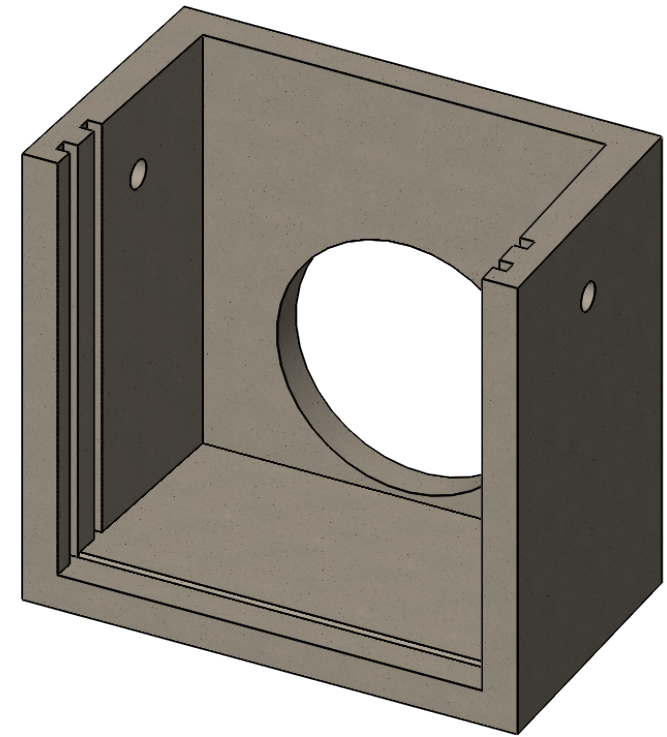
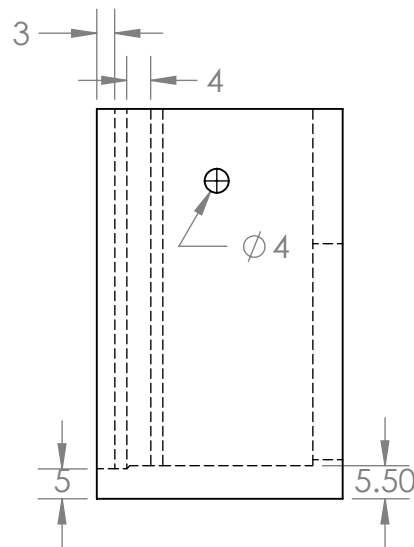
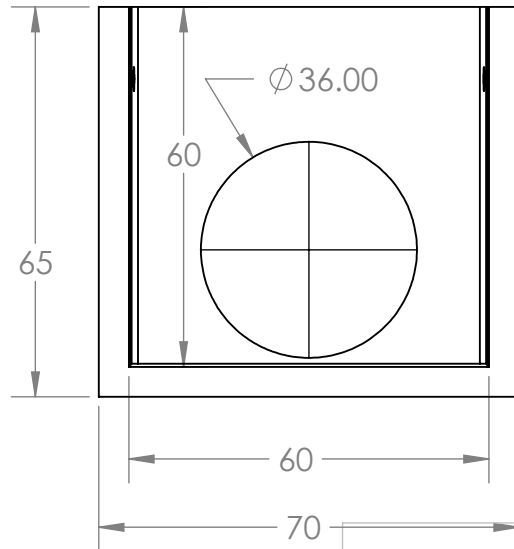
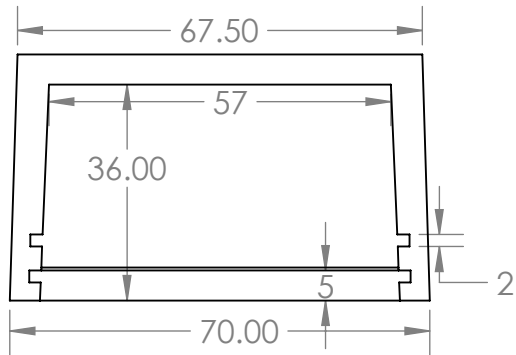


B



B

A

A

PROPRIETARY AND CONFIDENTIAL
 THE INFORMATION CONTAINED IN THIS DRAWING IS THE SOLE PROPERTY OF BRIGGS MFG, INC. ANY REPRODUCTION IN PART OR AS A WHOLE WITHOUT THE WRITTEN PERMISSION OF BRIGGS MFG, INC. IS PROHIBITED. 530-934-2663

		UNLESS OTHERWISE SPECIFIED:	NAME	DATE
		DIMENSIONS ARE IN INCHES	DRAWN	Jane F.
		TOLERANCES:	CHECKED	06/2018
		FRACTIONAL ±	ENG APPR.	
		ANGULAR: MACH ± BEND ±	MFG APPR.	
		TWO PLACE DECIMAL ±	Q.A.	
		THREE PLACE DECIMAL ±	COMMENTS:	
		INTERPRET GEOMETRIC TOLERANCING PER:		
		MATERIAL		
NEXT ASSY	USED ON	FINISH		
APPLICATION		DO NOT SCALE DRAWING		

www.briggsconcrete.com

TITLE:
TWIN TRACK™ WEIR
5'Wx5'H

SIZE	DWG. NO.	REV
A	TT55	

SCALE: 1:24 WEIGHT: SHEET 1 OF 1

2

1