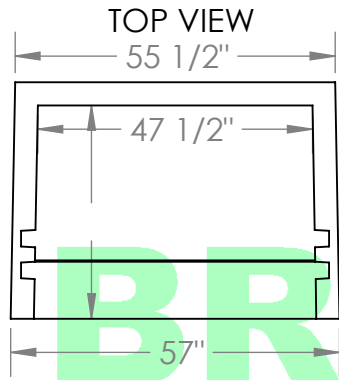
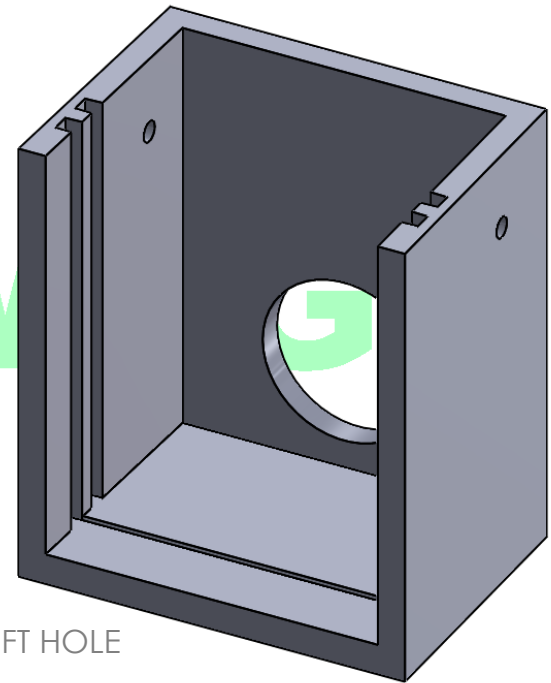


2

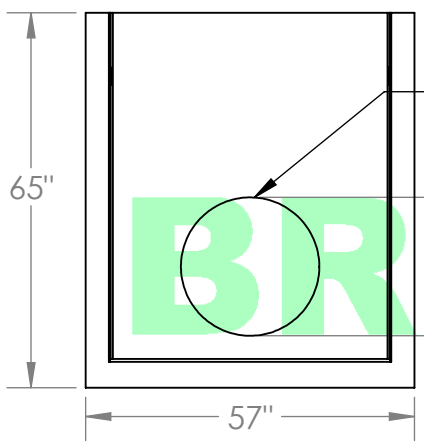
1



2" BOARD TRACKS

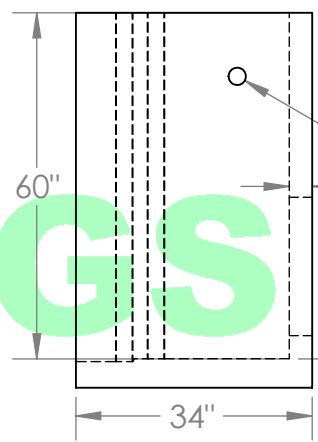


FRONT VIEW



OPTIONAL VOID OR PIPE

SIDE VIEW



3" LIFT HOLE

4" WALL

B

B

A

A

**PROPRIETARY AND CONFIDENTIAL**  
 THE INFORMATION CONTAINED IN THIS DRAWING IS THE SOLE PROPERTY OF BRIGGS MFG, INC. ANY REPRODUCTION IN PART OR AS A WHOLE WITHOUT THE WRITTEN PERMISSION OF BRIGGS MFG, INC IS PROHIBITED.  
**530-934-2663**

		UNLESS OTHERWISE SPECIFIED:	NAME	DATE
		DIMENSIONS ARE IN INCHES	DRAWN	JANE F
		TOLERANCES:	CHECKED	
		FRACTIONAL ±	ENG APPR.	
		ANGULAR: MACH ± BEND ±	MFG APPR.	
		TWO PLACE DECIMAL ±	Q.A.	
		THREE PLACE DECIMAL ±	COMMENTS:	
		INTERPRET GEOMETRIC TOLERANCING PER:		
		MATERIAL		
NEXT ASSY	USED ON	FINISH		
APPLICATION		DO NOT SCALE DRAWING		

TITLE:		
TWIN TRACK™ WEIR 4X5		
SIZE	DWG. NO.	REV
<b>A</b>	<b>TT45</b>	
SCALE: 1:25		WEIGHT:
		SHEET 1 OF 1