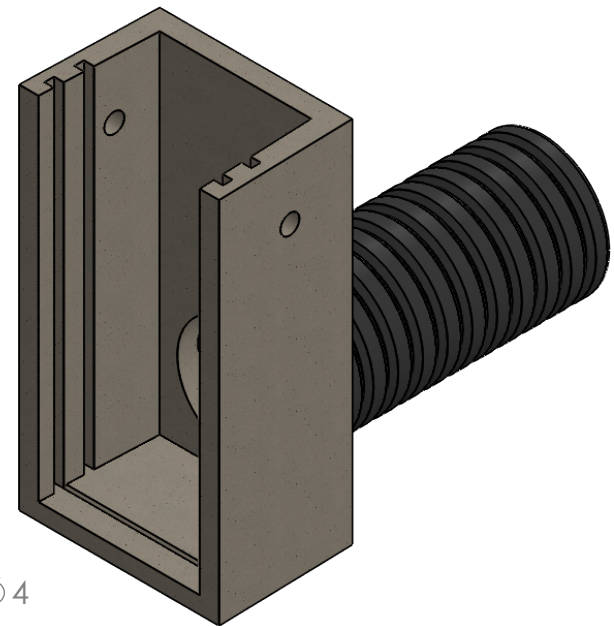
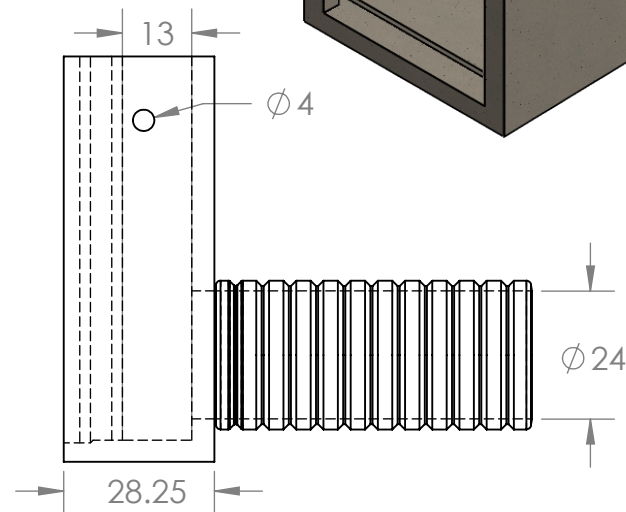
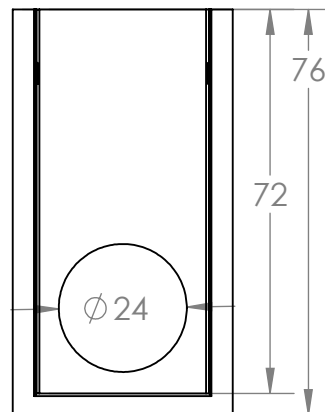
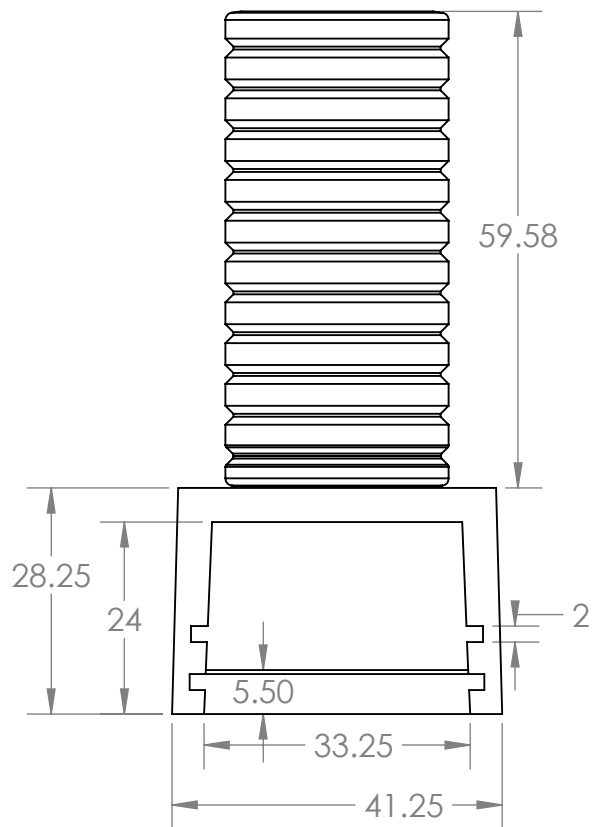


B



B

A

A

PROPRIETARY AND CONFIDENTIAL
 THE INFORMATION CONTAINED IN THIS DRAWING IS THE SOLE PROPERTY OF BRIGGS MFG, INC. ANY REPRODUCTION IN PART OR AS A WHOLE WITHOUT THE WRITTEN PERMISSION OF BRIGGS MFG, INC. IS PROHIBITED. (530)934-2663

		UNLESS OTHERWISE SPECIFIED:	NAME	DATE	www.briggsconcrete.com	
		DIMENSIONS ARE IN INCHES	DRAWN	JANE F		11/29/18
		TOLERANCES:	CHECKED			
		FRACTIONAL ±	ENG APPR.			
		ANGULAR: MACH ± BEND ±	MFG APPR.			
		TWO PLACE DECIMAL ±	Q.A.			
		THREE PLACE DECIMAL ±	COMMENTS:			
		INTERPRET GEOMETRIC TOLERANCING PER:				
		MATERIAL				
		FINISH				
NEXT ASSY	USED ON				SIZE DWG. NO. REV	
					A TT36 24IN	
APPLICATION		DO NOT SCALE DRAWING			SCALE: 1:48 WEIGHT: SHEET 1 OF 1	

2

1