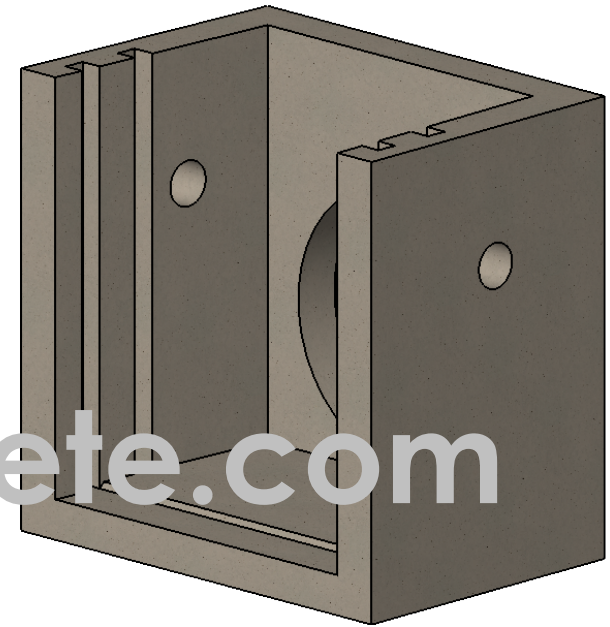
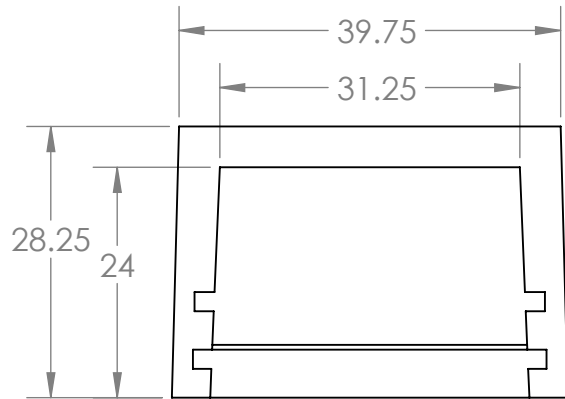
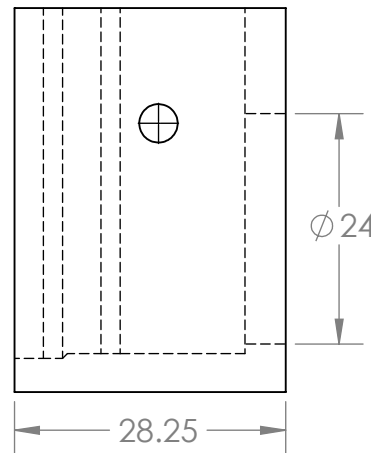
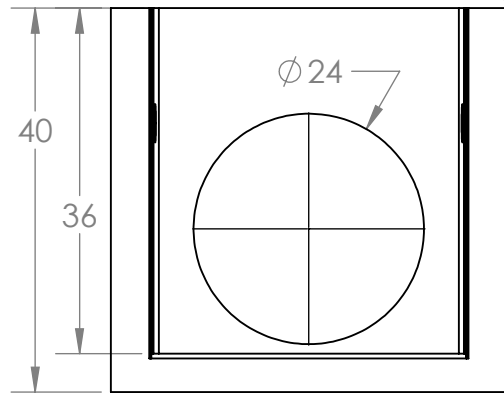


2

1



www.briggsconcrete.com



B

B

A

A

PROPRIETARY AND CONFIDENTIAL
 THE INFORMATION CONTAINED IN THIS DRAWING IS THE SOLE PROPERTY OF BRIGGS MFG, INC. ANY REPRODUCTION IN PART OR AS A WHOLE WITHOUT THE WRITTEN PERMISSION OF BRIGGS MFG, INC IS PROHIBITED.
 530-934-2663

		UNLESS OTHERWISE SPECIFIED:		NAME	DATE
		DIMENSIONS ARE IN INCHES	DRAWN	Jane F	01-22-19
		TOLERANCES:	CHECKED		
		FRACTIONAL ±	ENG APPR.		
		ANGULAR: MACH ± BEND ±	MFG APPR.		
		TWO PLACE DECIMAL ±	Q.A.		
		THREE PLACE DECIMAL ±	COMMENTS:		
		INTERPRET GEOMETRIC TOLERANCING PER:			
		MATERIAL			
		FINISH			
NEXT ASSY	USED ON				
APPLICATION		DO NOT SCALE DRAWING			

www.briggsconcrete.com		
TITLE:		
Twin Track™ Weir 3' W x 3' H		
SIZE	DWG. NO.	REV
A	TT33 24IN	
SCALE: 1:16 WEIGHT: 1,400# SHEET 1 OF 1		

2

1