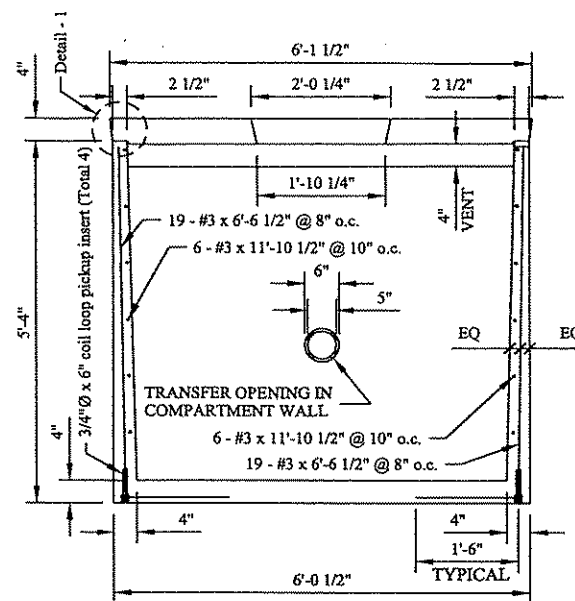


NOTE: Minimum Cover for Lid = 1" from bottom face

PLAN OF TANK COVER (t = 4 1/2")

Scale: 3/4" = 1'-0"

Lid Wt. = 3.5 kips



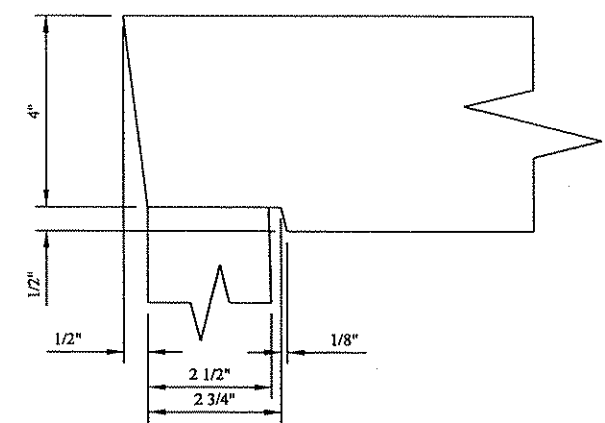
NOTE: Minimum Cover for Exterior Walls = 3/4"

SECTION A-A

Scale: 3/4" = 1'-0"

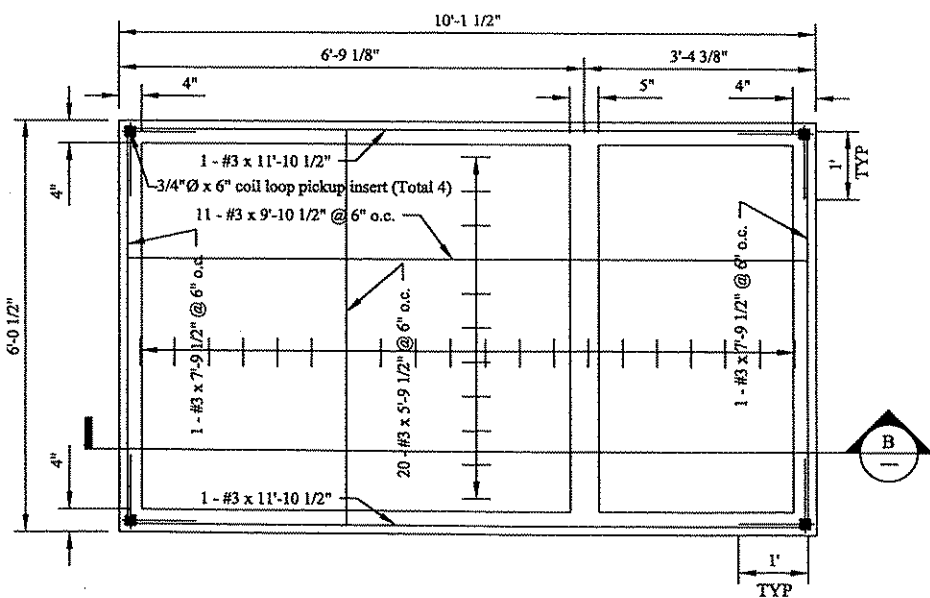
Design Data

$F'_c = 4000 \text{ psi @ 28 days}$
 $F_y = 60 \text{ ksi}$
 Allowable soil bearing pressure = 1000 psf
 Design lateral soil pressure = 40 psf/ft
 plus hydraulic pressure
 Maximum of 2 ft of soil over top of lid



DETAIL - 1

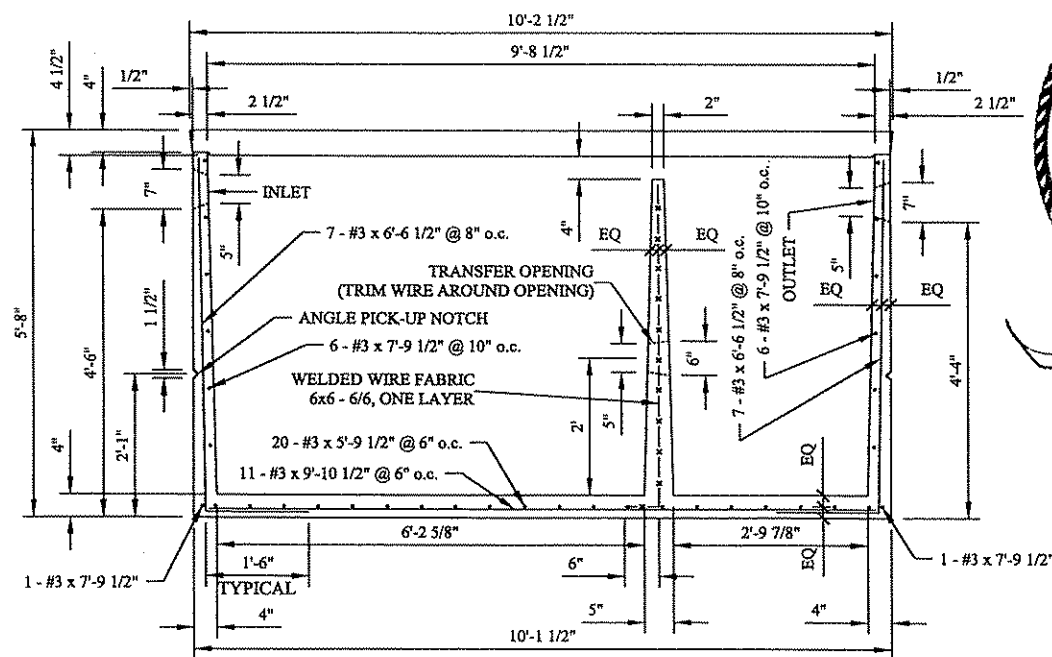
Scale: 6" = 1'-0"



NOTE: Minimum Cover for Base = 1 1/4"

PLAN OF BASE SLAB (t = 4")

Scale: 3/4" = 1'-0"

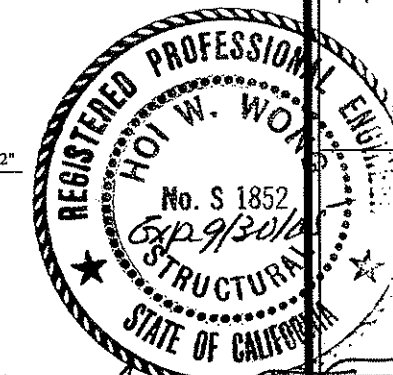


NOTE: Minimum Cover for Exterior Walls = 3/4"

SECTION B-B

Scale: 3/4" = 1'-0"

Wt. of Tank w/o Lid = 11.5 kips



HOI WONG & ASSOCIATES
 CONSULTING STRUCTURAL ENGINEERING

WHA

2015 Q STREET
 SACRAMENTO, CALIF. 95814

916-447-8585
 FAX-916-4478586

Briggs Manufacturing
 1500 Gallon Septic Tank
 Willows, CA

DATE: 02-25-02
JOB NO: 0203
DRAWN BY: DCM
CHECKED BY: HW
SCALE: AS SHOWN
REVISIONS
SHEET: ST-01
OF SHEET