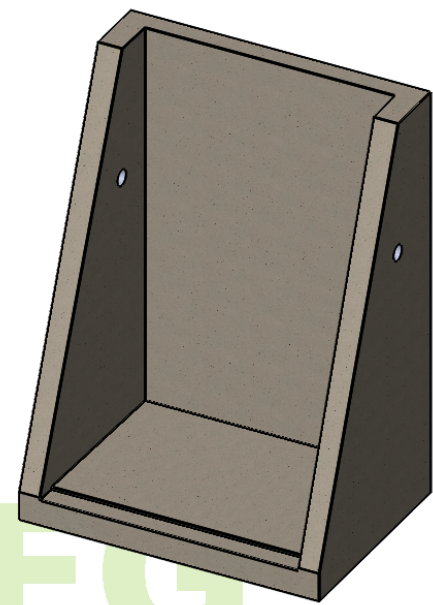
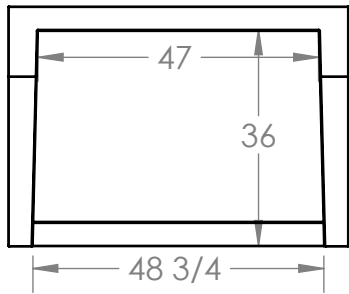


2

1

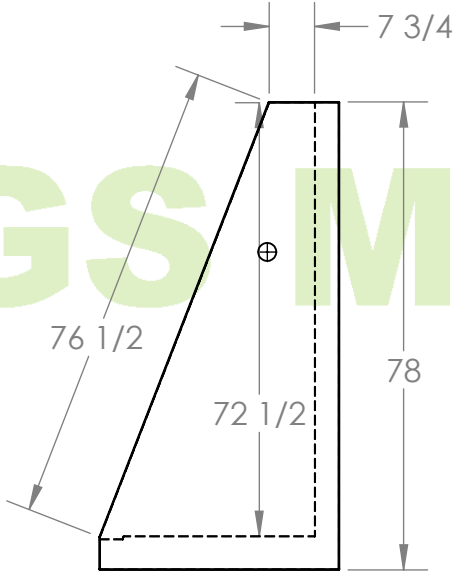
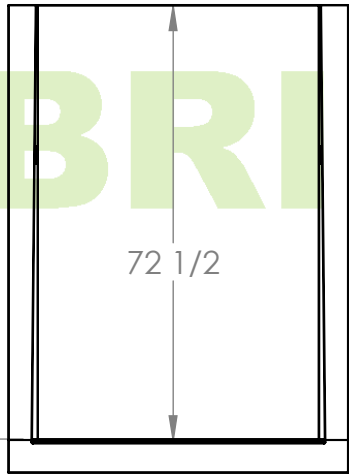
TOP VIEW



B

B

BRIGGS MFG



FRONT VIEW

SIDE VIEW

A

A

**PROPRIETARY AND CONFIDENTIAL**  
 THE INFORMATION CONTAINED IN THIS DRAWING IS THE SOLE PROPERTY OF BRIGGS MFG, INC. ANY REPRODUCTION IN PART OR AS A WHOLE WITHOUT THE WRITTEN PERMISSION OF BRIGGS MFG, INC. IS PROHIBITED. (530)934-2663

		UNLESS OTHERWISE SPECIFIED:		NAME	DATE
		DIMENSIONS ARE IN INCHES	DRAWN	JANE F	05/24/2018
		TOLERANCES:	CHECKED		
		FRACTIONAL ±	ENG APPR.		
		ANGULAR: MACH ± BEND ±	MFG APPR.		
		TWO PLACE DECIMAL ±	Q.A.		
		THREE PLACE DECIMAL ±	COMMENTS:		
		INTERPRET GEOMETRIC TOLERANCING PER:			
		MATERIAL			
		FINISH			
NEXT ASSY	USED ON				
APPLICATION		DO NOT SCALE DRAWING			

www.briggsconcrete.com		
TITLE:		
OUT FALL 4' W x 6 'H		
SIZE	DWG. NO.	REV
<b>A</b>	<b>OF46</b>	
SCALE: 1:32	APPROX WT: 4,800#	SHEET 1 OF 1

2

1