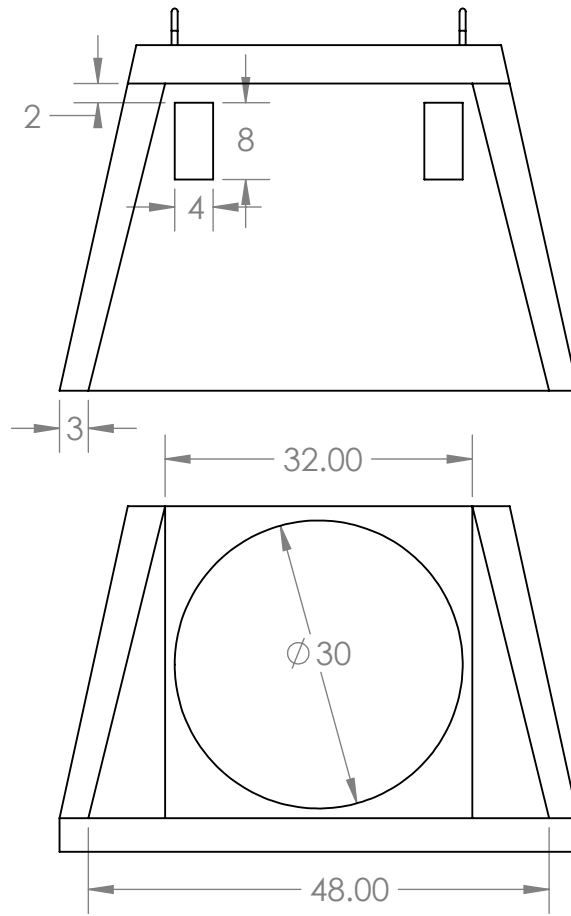
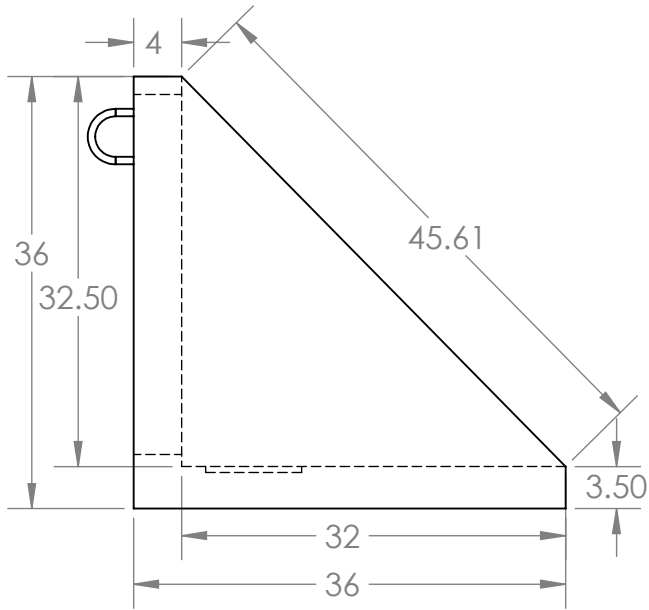


2

1

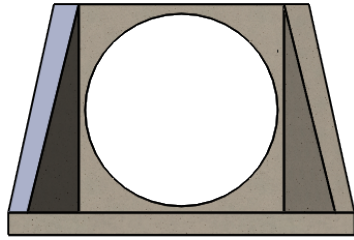
B

B



A

A



BRIGGS MFG, INC

PROPRIETARY AND CONFIDENTIAL

THE INFORMATION CONTAINED IN THIS DRAWING IS THE SOLE PROPERTY OF BRIGGS MFG, INC. ANY REPRODUCTION IN PART OR AS A WHOLE WITHOUT THE WRITTEN PERMISSION OF BRIGGS MFG, INC. IS PROHIBITED. 530-934-2663

		UNLESS OTHERWISE SPECIFIED:	NAME	DATE
		DIMENSIONS ARE IN INCHES	DRAWN	JANE F 05/31/2019
		TOLERANCES:	CHECKED	
		FRACTIONAL ±	ENG APPR.	
		ANGULAR: MACH ± BEND ±	MFG APPR.	
		TWO PLACE DECIMAL ±	Q.A.	
		THREE PLACE DECIMAL ±	COMMENTS:	
		INTERPRET GEOMETRIC TOLERANCING PER:		
		MATERIAL		
NEXT ASSY	USED ON	FINISH		
APPLICATION		DO NOT SCALE DRAWING		

www.briggsconcrete.com

TITLE:
OUTFALL 4X3 WITH 30" VOID FOR 24" HDPE

SIZE **A** DWG. NO. OF43 FLARE 30IN VOID REV

SCALE: 1:24 WEIGHT: SHEET 1 OF 1

2

1

530-934-2663