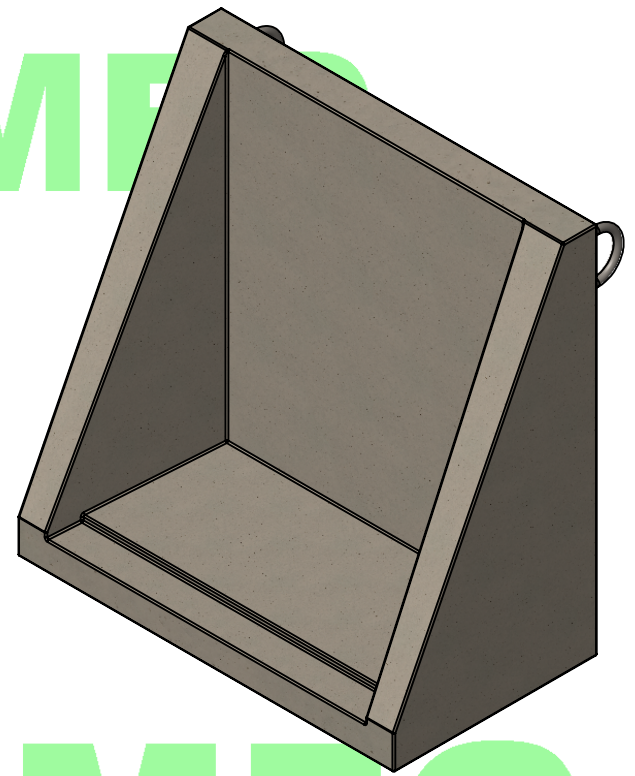
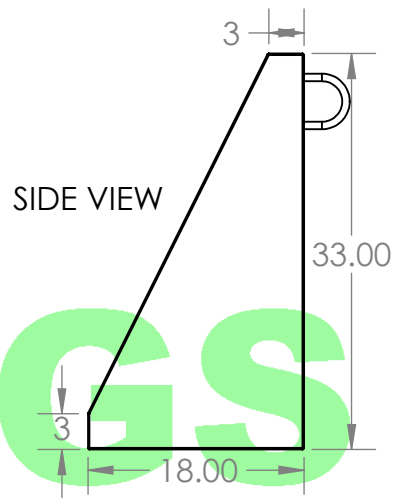
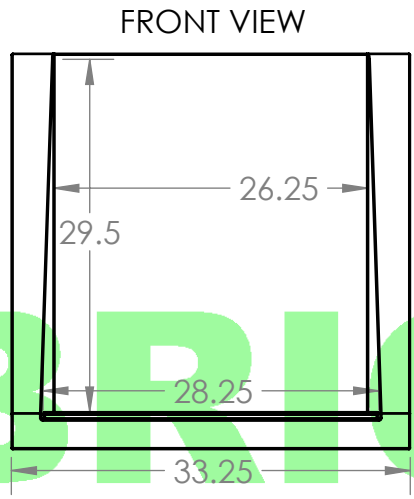
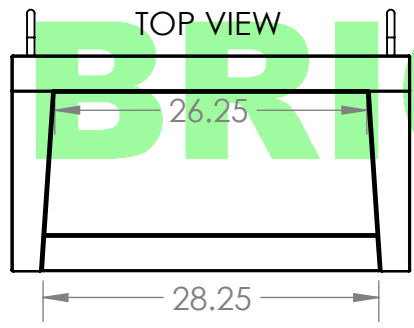


2

1

B

B



BRIGGS MFG

A

A

PROPRIETARY AND CONFIDENTIAL
 THE INFORMATION CONTAINED
 IN THIS DRAWING IS THE SOLE
 PROPERTY OF **BRIGGS MFG, INC.**
 ANY REPRODUCTION IN PART OR
 AS A WHOLE WITHOUT THE
 WRITTEN PERMISSION OF
BRIGGS MFG, INC IS PROHIBITED.
 530-934-2663

		UNLESS OTHERWISE SPECIFIED:	NAME	DATE
		DIMENSIONS ARE IN INCHES	DRAWN	JANE F. 02182018
		TOLERANCES:	CHECKED	
		FRACTIONAL ±	ENG APPR.	
		ANGULAR: MACH ± BEND ±	MFG APPR.	
		TWO PLACE DECIMAL ±	Q.A.	
		THREE PLACE DECIMAL ±	COMMENTS:	
		INTERPRET GEOMETRIC TOLERANCING PER:		
		MATERIAL		
		FINISH		
NEXT ASSY	USED ON			
APPLICATION		DO NOT SCALE DRAWING		

TITLE:
OUTFALL 3030

SIZE DWG. NO. REV
A OF3030

SCALE: 1:12 WEIGHT: SHEET 1 OF 1

2

www.briggsconcrete.com

1