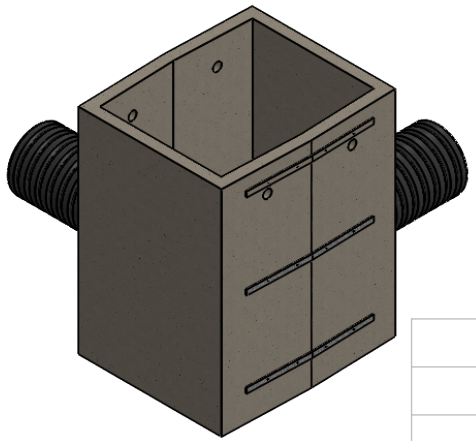
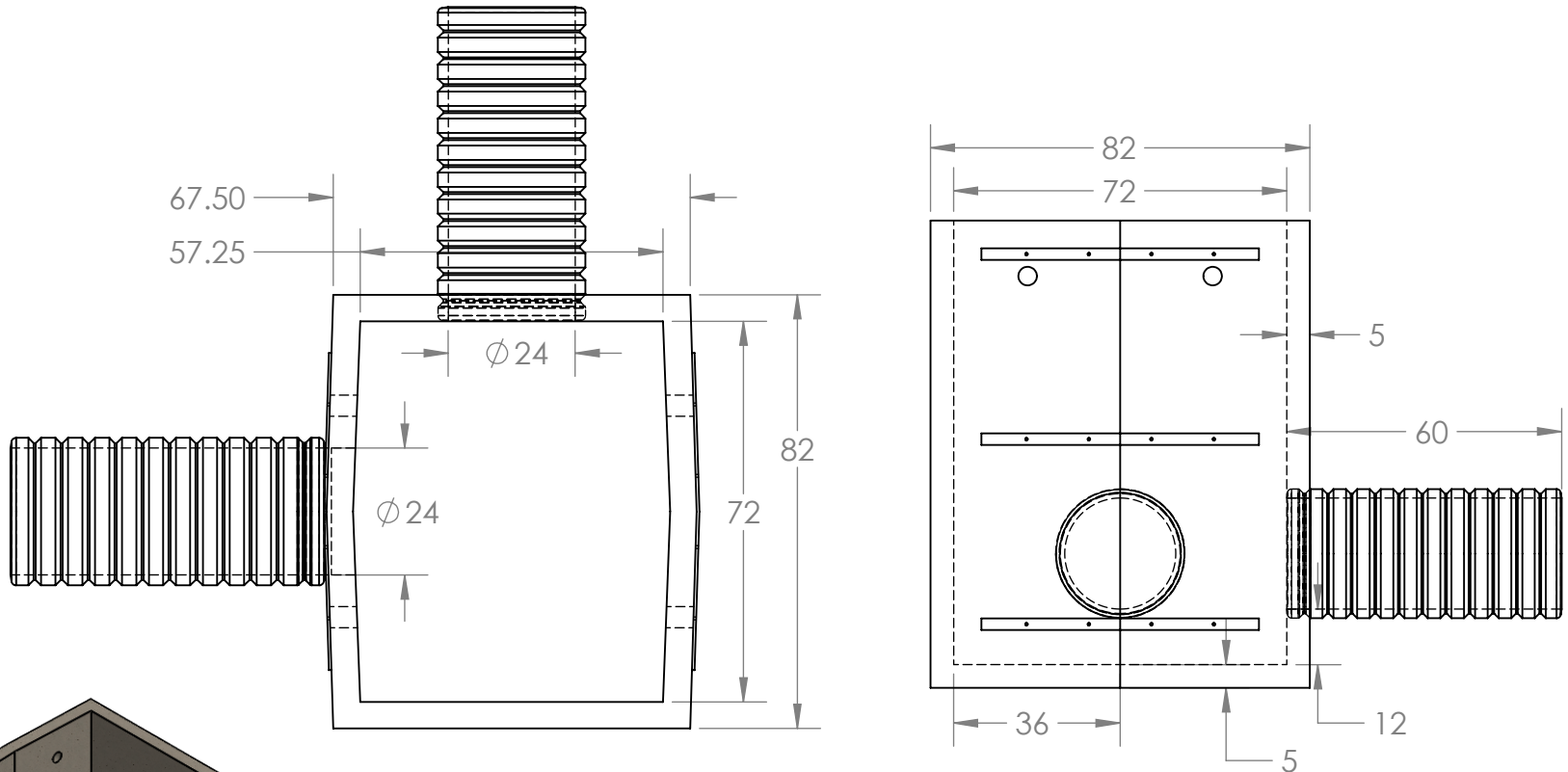


B

B



A

A

BRIGGS MFG, INC.

PROPRIETARY AND CONFIDENTIAL
 THE INFORMATION CONTAINED IN THIS DRAWING IS THE SOLE PROPERTY OF BRIGGS MFG, INC. ANY REPRODUCTION IN PART OR AS A WHOLE WITHOUT THE WRITTEN PERMISSION OF BRIGGS MFG, INC IS PROHIBITED.
 530-934-2663

		UNLESS OTHERWISE SPECIFIED:	NAME	DATE
		DIMENSIONS ARE IN INCHES	DRAWN	JANE F 06-26-2019
		TOLERANCES:	CHECKED	
		FRACTIONAL ±	ENG APPR.	
		ANGULAR: MACH ± BEND ±	MFG APPR.	
		TWO PLACE DECIMAL ±	Q.A.	
		THREE PLACE DECIMAL ±	COMMENTS:	
		INTERPRET GEOMETRIC TOLERANCING PER:		
		MATERIAL		
		FINISH		
NEXT ASSY	USED ON			
APPLICATION		DO NOT SCALE DRAWING		

www.briggsconcrete.com		
TITLE: DOUBLE WEIR BOX TWIN TRACK™ WEIR 5X6 WITH 24" HDPE LOCATED N & W 1' OFF FLOOR		
SIZE	DWG. NO.	REV
A	DBLTT5624HDPENW	
SCALE: 1:64 WEIGHT:		SHEET 1 OF 1