

CATALOGUE  
& PRICELIST

2022



**GEM**  
HANDLING SYSTEM

**GEORGE MUDGE & CO.**  
SHEEP SHEARING EQUIPMENT SPECIALISTS

01822 615456 | [info@mudgeshearing.co.uk](mailto:info@mudgeshearing.co.uk)  
[www.georgemudgeshearing.co.uk](http://www.georgemudgeshearing.co.uk)



## Heiniger Xplorer

Cordless clipper with Lithium-Ion battery technology. This provides up to two hours of cordless clipping, from a 90 minute charge. Available with 1 or 2 batteries.

The Xplorer now comes with a THREE year warranty.



## EQUINE AND PET PRODUCTS

### Pricelist

EQU001	Lister Star (Mains)	£187.50
EQU002	Lister Liberty Lithium - Pop pack	£270.00
EQU006	Lister Legend (Mains)	£229.17
EQU007	Wahl Adore Trimmer	£83.33
EQU009	Wahl Blade guides (Fit Libretto Max trimmer)	£22.00
EQU010	Heiniger Xplorer 1 or 2 Batteries	from £300.00
EQU011	Lister/Heiniger/Liveryman Blades (Large)	from £30.00
EQU012	A5 and Trimmer Blades Wahl, Liveryman, Heiniger	from £20.00
EQU013	Lister Fusion 2-speed Clipper (Heavy Duty)	£263.50
EQU034	Liveryman Black Beauty-Mains (Battery packs separately when available)	£266.67
EQU037	Liveryman Harmony Plus	£158.33
EQU038	Liveryman Bruno-Mains (Can use with Black Beauty battery-available separately)	£141.66
EQU040	Liveryman Classic	£89.17
	Liveryman Nova	£49.96
	Clipper Batteries	from £60.00
	Clipping Oil 250ml	£5.00
	Clipping Oil 500ml	£8.00
	Blade sharpening (Per Set)	£7.50

**Clipper Servicing from £15 Per Trimmer - £25 per Clipper**

Tel: 01822 615456 | [www.georgemudgeshearing.co.uk](http://www.georgemudgeshearing.co.uk)

Dear Customer,

Food production and energy production should be our number one priority, it is obviously not. What uncertain times we live in. Russia has just invaded Ukraine, nobody knows what will unfold in that area and what effect it will have on the rest of the world. One thing is certain, as vast quantities of oil, gas and fertilizer come from that area, prices will go through the roof. If you do not learn from history, you are almost certain to repeat the mistakes that were made. In my opinion it is madness to encourage farmers to rewild some hill land and flood some areas around the coast. As fertilizer costs have rocketed, production will also be reduced so soaring food prices are certain. During the last year this country has not produced enough electricity to meet our needs and we have been buying in electric from overseas at 3 times the price it is being charged to consumers. It is also mad to think that we can generate enough electricity for us all to drive around in electric cars. Perhaps we will be like leaders at Cop 26 driving around in electric cars and then charging from diesel generators!

At least we seem to be over Covid. It is unreal how much the Government and main-stream media raised the fear factor of a disease that can be bad but which 99+ % recover from. We have had it and it is not pleasant, but who knows what the long-term effects are of having more and more vaccines? I believe many more people will die from the effects of lockdowns etc through lack of diagnosis and Cancer treatments, and a multitude of ailments that were not treated in time to save the patient's life. Many small businesses will never recover from the lockdowns and restrictions. It looks to me that it is part of the plan by the global elite, who want control of everything we do. All small shops were closed but the Supermarkets could continue much as normal. They want everything to be controlled by multinational corporations who are part of their overall scheme. They hate small and medium size business that are free thinkers, and they cannot control us in the same way. We all need to watch out for what the World Economic Forum has in store for us, in my opinion, much like George Orwell's 1984, where you can do nothing unless the state says you can; be very aware of what is going on. Try watching the G.B.News for a change. We all need to use independent companies wherever possible for our food and support independent companies making equipment in the U.K.whenever possible.

### **Business**

We are offering a special trade in price for old Lister, Heiniger and Supershear handpieces of £35 each against a new Skorpion or Outback handpiece. The trade in can be up to 2 handpieces but must be complete and revolving (Cross over prong handpiece not allowed). Some people have managed to get grants on our handling system including our shearing trailer shown on front cover. It is worth checking if a grant will be available again. My advice is to buy the shearing equipment you need early as it is getting more and more difficult and costly to get.

As you all know we make as much as we can in our small factory and buy as much as we can made in Britain. We are now selling extra thick long tail hoodies and short sleeve heavy duty sweatshirts both made in England. In my opinion we have become too reliant on "cheap goods" being made in the far east and are now beginning to see the folly of being too dependent on their supply.

Please visit our website [www.georgemudgeshearing.co.uk](http://www.georgemudgeshearing.co.uk) . Also check our face book page and Instagram for monthly offers and new products.

Yours faithfully,

A handwritten signature in black ink that reads "George Mudge". The signature is written in a cursive style with a long horizontal line underneath it.

## SHEARING MACHINES

### Nexus Shearing Set, Capacitor Start Motor Speeds 2,800rpm, 3,200rpm, 3,500rpm

LIS001	Nexus Sensor motor and switch unit	£525.00
LIS002	Nexus sensor - complete with solid shaft	£795.00
LIS004	Nexus green top no sensor - complete with solid shaft - while stocks last	£735.00
HEI001	Heiniger Evo motor only	£570.00
HEI002	Heiniger Evo with solid drive	£995.00
HAN001	New Zealand Handpiece	£695.00



### Lister Nova Double Insulated Set

LIS007	Nova <b>less</b> Handpiece	£415.00
--------	----------------------------	---------



### 12 Volt Machines

GEM027	GEM V12 <b>2800rpm</b> (for the farmer/shearer) includes flexi drive	£360.00
GEM028	GEM V12 <b>3300rpm</b> (for the experienced shearer) incl. flexi drive	£360.00
GEM029	GEM V12 <b>2200rpm</b> (for cattle clipping) incl. flexi drive	£360.00

### Motor in Handpiece

LIS009	Lister Fusion Sheep/Cattle clipper (Mains) Horse version available page1	£285.00
ERG001	Cordless clipper with 2 batteries	£220.00
ERG002	Mains clipper 12 months guarantee	£150.00
HEI036	Heiniger Xpert Sheep/Cattle mains clipper	£295.00



### Handpieces

LIS001	Lister Skorpion (Triple Bearing)	£335.00
LIS006	Lister Outback (Twin Bearing)	£305.00
HEI003	Heiniger Icon FX (incl ferrule)	£375.00
HEI003A	Heiniger Cyclone	£360.00



**Why not trade in your old handpieces? – Call 01822 615456**

## DRIVES

LIS025	Flexible 2 Speed Complete	£88.00
LIS026	Flexible 2/3 Speed/Nova/Nexus shaft <b>INNER</b>	£42.00
LIS027	Flexible 2 Speed Sheath <b>OUTER</b>	£52.00
LIS028	Flexible 3 Speed/Nova/Nexus Complete	£88.00
LIS029	Flexible 3 Speed/Nova/Nexus Sheath	£50.00
LIS034	Short Gut Spline/Worm drive	£24.00
LIS035	Long Gut	£32.00
LIS036	Flexi 10ft Complete for Cattle Trimming	£100.00
LIS039	Flexible 8ft complete	£95.00
LIS040	Lister QR solid drive with small elbow joint	£295.00
LIS041	Lister QR Flexible Drive	£130.00
HEI050	Heiniger Solid Drive	£425.00



**We can make a flexible drive to your requirements**

GEM QR solid drive with new type small elbow joint	£285.00
GEM solid drive to fit pin drive machines with new type small elbow joint	£275.00
GEM solid drive to fit pin drive machines with old type larger cogs	£240.00

**Why not upgrade your existing solid drive with a smooth running elbow joint with small gears and a new short tube and gut for £175.00**

**£35 trade in for up to two, old Lister, Sunbeam or Heiniger handpieces against a new Skorpion or Outback handpiece**

**Clipper Servicing from £15 Per Trimmer - £25 per Clipper**



## COMBS

### Lister

LIS010	Countryman 76mm MB	£12.00
LIS012	Champion CC23 comb <b>only</b>	£17.50
LIS013	Challenger Elite 3-94	£15.95
LIS015	Slayer Elite 3-96	£15.95
LIS017	Enforcer Elite 3-98	£15.95
LIS019	Havoc Elite 4-94	£15.95
LIS020	Renegade Elite 4-96	£15.95
LIS021	Devil Elite 5-94	£15.95
LIS023	Rampage Elite	£15.95



### Heiniger

HEI004	Raging Warrior 96mm SB Run In	£21.00
HEI005	Super Charger Run in Comb 92mm SB	£21.00
HEI006	Charger 92mm SB	£21.00
HEI007	Quantum 95mm SB Run In	£21.00
HEI009	Quasar 4. 95mm MB	£21.00
HEI010	Kombat 97mm SB	£21.00
HEI011	Condor 98mm SB Run In Comb	£21.00
HEI012	Warrior 96mm SB	£21.00
HEI013	Calibre	£21.00
HEI014	Reflex 94mm MB Reflex 94mm MB	£21.00
HEI015	Pro Legend	£21.00
HEI016	XLR8 98mm MB	£21.00
HEI017	Freestyle	£21.00
HEI018	B-Evil 94,5 Bat bevel	£21.00
HEI019	Ninja 97mm LB Run in	£21.00
HEI020	Wicked 93.5mm LB	£21.00
HEI021	Freak 94.5mm LB Run In Comb	£21.00
HEI022	Rebel	£21.00
HEI023	Blizzard Winter Comb	£27.00



### Inferno

INF001	Inferno Comb 92mm 3.5 mm bevel	£10.00
INF002	Inferno Comb 95mm 3.5 mm bevel	£10.00
INF003	Inferno Comb 94mm 5 mm bevel	£10.00
	<b>Farmer's Comb</b>	
INF002	Inferno Standard Comb	£10.00



## CUTTERS

### Lister & Supershear Cutters

	Quantity	1-9	10-49	50+
LIS022	Chaos	£3.95	£3.85	£3.75
LIS023	Rampage	£3.95	£3.85	£3.75

### Heiniger Cutters

	Quantity	1-9	10-49	50+
HEI024	Jet	£4.95	£4.65	£4.50
HEI025	Edge	£4.95	£4.65	£4.50
HEI026	Extreme	£4.95	£4.65	£4.50
HEI027	Diamond	£4.95	£4.65	£4.50
HEI028	Storm	£4.95	£4.65	£4.50

### Mudge Cutters

GEM026	Inferno			£2.75
GEM026	Inferno - Quantity 50+			£2.50

## GRINDERS

(Subject to availability)

LIS037	Lister Grinder with Aluminium Discs	£1,250.00
HEI034	Heiniger Grinder <b>with all</b> Accessories	£1,495.00
LIS038	Lister Aluminium Disc & Carry Clamp	£475.00

## GRINDING

GRI001	Combs if clean	£ 1.25
GRI002	Cutters if clean	£ 0.95
GRI003	Cleaning combs	£ 0.50
GRI004	Cleaning cutters	£ 0.40
GRI005	Horse/Cattle blades (Sets)	£ 7.50



Please ensure combs and cutters are clean, dry and free from oil when sending for re-grinding

### Second-hand shearing machines and handpieces while stocks last

Lister Nexus motor only	£325.00
Lister 3 Speed with Flexi drive	£290.00
Nexus Motor and Solid drive, Good working order	£450.00
Lister / Supershear / Heiniger - Reconditioned Handpieces from	£150.00
Reconditioned Solid drives. Good condition	£150.00

Please call if you are looking for any machine not listed and we will try and help.

## PENDULUMS

ACE001	Ace Pendulum	£50.00
ELL001	Ellery Pendulum	£70.00
SUP015	Supershear Pendulum	£80.00
HEI029	Heiniger Pendulum	£100.00
EXP001	Expert Pendulum Comb	£125.00
EXP002	Expert Pendulum Cutter	£125.00



## EMERY CLOTH

SUP019	Hermes <b>SAME GRIT</b> Individual	£4.00
SUP021	Hermes <b>SAME GRIT</b> Pack of 10	£37.50
HEI030	Heiniger emery cloth individual (same grit)	£5.00
HEI032	Heiniger emery cloth pack 10 (same grit)	£45.00
CER001	Ceromit (green) long lasting emery cloths 40 & 80 grit	£5.50
RED001	Red Heat Emery cloths Pack of 10	£60.00



## BUFFING KIT

SUP023	Complete with Polish, Mop and Bright Boy. All in carrying box	£195.00
SGB001	Shear Grunt buffer	£350.00



## SAFETY EQUIPMENT

SAF001	Power breaker <b>mains only</b>	£16.00
SAF003	Power breaker, heavy duty with plug & socket	£60.00



## WARRIE BACK AID

WAR001	Warrie/Mudge Back Aid	£120.00
WAR002	Warrie Chest Belt for above	£35.00
WAR003	Warrie Springs for above	£30.00
WAR004	Warrie Crutching frame	£125.00



## MASTERJECT *(Designed and built for farmers by farmers)*

MAS001	Masterject	£275.00
MAS002	Masterject Syringe (each)	£1.75
MAS003	Masterject Needles (each)	£1.00



## ANCILLARY SHEARING EQUIPMENT

MIS002	British Latex Glue 250ml	£5.00
HEI034	Heiniger Glue small	£6.00
HEI035	Heiniger Glue large	£9.00
MIS006	Surgical needles	<b>from</b> £2.00
MIS007	Bright Boy	£35.00
MIS008	Polishing mop-open	£15.00
MIS011	Carbrax Polishing Compound - <b>Coarse</b>	£10.00
MIS012	Green Lime Polish	£20.00
MIS015	Kleen-it-stick	£8.00
MIS016	Brush with Scraper	£8.50
MIS018	British Made Comb Pouch 36 Combs	£20.00
MIS019	Comb Protectors	£5.00
MIS020	Tally Counter Metal	£8.00
MIS022	Rosa shears from South Africa	£35.00
MIS023	Lizard skin Handpiece rug	£12.00
MIS025	Warrie Cutter Dispenser	£28.00
MIS026	Carrying Tool Bag - <b>Small</b>	£80.00
MIS027	Carrying Tool Bag - <b>Large</b>	£145.00
MIS028	Lamb foot shears	£12.00
MIS029	Bag Needles	£3.00
MIS030	Burgon & Ball Handshears	<b>from</b> £25.00
MIS032	Jakoti Shears	£24.00
MIS033	White Comb Dressing Stone	£22.00
MIS034	Coarse Dressing Stone	£18.00
MIS035	Slip Stone	£10.00
MIS036	Holdall Sports Bag. 30 litre capacity	£25.00
MIS037	Wool Broom Wooden Handle	£20.00
MIS038	Oil Bottle	£1.00
MIS039	Wesco Oil can	£6.00
MIS040	6 inch leather strop	£15.00
MIS041	Wool Broom Extenda Handle	£25.00
MIS044	Plastic dog whistle	£2.00
MIS046	Strop & Shine	£70.00
MIS047	New Zealand Super crook	£35.00
MIS048	Leather holster for handshears	£12.00
MIS053	Cog key with knucklesaver/wide blade	£10.00
MIS054	Cog Key as above but strong magnetic	£12.50
MIS055	Screwdriver knucklesaver/wide/narrow	£8.50
MIS056	As MIS055 with strong magnet	£10.50
MIS057	Coloured Ferule (Blue, Red, Green, Orange, Pink)	£20.00
MIS058	Rubber wheel for tooth thinning, similar to Bright Boy	£18.00



## CLOTHING

CLO001	GEM Trousers UK made	£40.00
CLO002	Heiniger Next Gen Jeans with front pockets	£65.00
CLO003	Fagan Shearblack trousers	£65.00
CLO006	Warrie Fleecy Singlet	£25.00
CLO009	Cotton Singlet Extra Long our logo	£12.50
CLO010	New Zealand Redband	£45.00
CLO011	Skellerup Quatro Sport Insulated Boots	£90.00
CLO015	Elastic Belt Narrow 2"	£12.00
CLO017	Gunrunner Mocs (elastic sided)	£50.00
CLO018	Warrie Flannel Back Warmers	£28.00
CLO020	Moccasins Lined Leather	£30.00
CLO021	Supermocs sizes 6-13	£30.00
CLO023	Polo shirt	£20.00
CLO025	Hoodies - two-tone colour	£25.00
CLO026	Children's vest (Ages 2-11yrs)	£8.50
CLO027	Children's hoodies	£15.00
CLO031	Rambowool socks (70% Merino Wool)	£9.99
CLO032	<b>New 2022</b> GEM extra thick long tail hoodie UK made	£40.00
CLO033	<b>New 2022</b> GEM extra thick short sleeve sweat shirt UK made	£35.00
CLO034	Lined Leather Mocs (Made in the UK)	£30.00
CLO035	Kairanga Woollen Singlets	£27.00



**Customers are responsible for ordering correct sizes - See chart below**

<b>G.E.M. SHEARING TROUSERS</b> <i>(Made in the UK)</i>								
<b>WAIST</b>	30 (76)	32 (81)	33 (84)	34 (86)	35 (89)	36 (92)	38 (97)	40 (102)
<b>LENGTH</b>	Short	Short	Short	Short	Short	Short	Short	Short

<b>WAIST</b>	30 (76)	32 (81)	33 (84)	34 (86)	35 (89)	36 (92)	38 (97)	40 (102)
<b>LENGTH</b>	Med	Med	Med	Med	Med	Med	Med	Med

<b>WAIST</b>	30 (76)	32 (81)	33 (84)	34 (86)	35 (89)	36 (92)	38 (97)	40 (102)
<b>LENGTH</b>	Long	Long	Long	Long	Long	Long	Long	Long

We will exchange trousers but postage will be charged

<b>FAGAN TROUSERS</b>				
<b>SIZE</b>	<b>WAIST</b>	<b>I/LEG</b>		
		29 (Short)	31 (Medium)	33 (Long)
4	30 (76)	29 (74)	31 (79)	33 (84)
4½	31 (79)	29 (74)	31 (79)	33 (84)
5	32 (82)	29 (74)	31 (79)	33 (84)
5½	33 (84)	29 (74)	31 (79)	33 (84)
6	34 (86)	29 (74)	31 (79)	33 (84)
6½	35 (89)	29 (74)	31 (79)	33 (84)
7	36 (92)	29 (74)	31 (79)	33 (84)
7½	37 (94)	29 (74)	31 (79)	33 (84)
8	38 (97)	29 (74)	31 (79)	33 (84)
8½	39 (99)	29 (74)	31 (79)	33 (84)
9	40 (102)	29 (74)	31 (79)	33 (84)

**HEINIGER TROUSERS** *(All sizes now available)*

Sizes: 77.5, 80, 82.5, 85, 87.5, 90, 92.5, 95, 97.5, 100, 102.5, 107.5

All Heiniger Trousers now with front pockets

Short, Regular and Long available

\*\*\*Size is generous due to the stretchy waist so please allow for this\*\*\*

Please call If you are unsure of Trousers sizes as return postage will be charged for exchanges

# G.E.M. BESPOKE PRODUCTS

Below is a selection of our products.

## GEM002 – MOBILE SHEARING AND HANDLING UNIT



Light (8 cwt approx.) yet strong. Size 10' x 5' x 3' 6" high. Easily towed behind an average family car. Quick to set up (under 5 mins). Easy ground level entrance filling at the rear of the unit is either by a large or small gate. Filling at the front is by a swing gate. A non-return gate can be fitted in this position to allow sheep to enter the unit via a race (following each other into the unit with minimal help by the farmer). Smooth road travel due to axle suspension units.



*[Pictured above with Yoke (GEM020), Drafting Race (GEM003), 4 x Hurdles (GEM007) and joiners (GEM023) – please note these items are not included in the price shown]  
Please see page 16 for details on all additional options and other GEM products*



Supplied with:

- Removable lighting board
- Adjustable height uprights
- Hanging brackets for machines
- Hydraulic lifting pump to raise/level trailer
- Plastic slatted floor
- Provision for spare wheel

£4,250.00







## **GEM010 - PORTABLE SHEARING AND HANDLING PEN**

Galvanised 6ftx6ft unit for the farmer or contractor. Includes spring loaded catching door, adjustable height uprights and hanging bracket for machine. Interchangeable hurdle and opening door allows filling on any one of three sides. Can be used individually or as modules of a larger unit. Mesh floor helps keep sheep's feet clean. All hot dipped galvanised.

£975.00



## **GEM004 – INDIVIDUAL CATCHING RACE**

Portable shearing race. Dismantles to fit into a small trailer or van. Suitable for right-hand or left-hand shearer. Complete with upright and hanging bracket.

£1,250.00





## **GEM001 - PORTABLE SHEARING STAND**

This stand is very quick and easy to erect and dismantle. It will all fit into the boot of an average car, except the shearing boards which will fit on a roof rack. The stand includes a hanging bracket for the machine.

£295.00

## **GEM014 – YOKE AND HURDLE**

A six foot galvanised hurdle incorporating the galvanised yoke.

This can be used as one side of our shearing pen (as seen in the photograph opposite) or as part of your existing system.

£275.00



## GEM030

### DAGGING CRATE (FREE STANDING)

A galvanised dagging race consisting of a yoke, 2 door hurdle, sheeted 6 ft hurdle and U section and 4 coupling pins. Designed for stand up dagging, drenching, injecting. Also suitable as a drafting race.

£549.00



## GEM020

### YOKE

A simple yoke for restraining sheep, enabling easy stand up dagging (particularly important when ewes are heavily pregnant). After dagging, the sheep is released and allowed to pass through. The next sheep follows into the yoke.

Can be used in a race or as part of a handling system. Also useful for holding ewes when putting lambs to suck.

Dimensions: 1100 x 630mm

£225.00



# The GEM V12

## Advantages of the V12

1. Takes solid or flexible drive with no extra cost of adaptors
2. Heavy duty switch
3. Heavy duty leads and clips
4. Easily detachable drive
5. Ability to adjust length of sheath
6. Hanging bracket available to suit our pen/trailers
7. Stand available for crutching near vehicle



GEM027	GEM V12 <b>2800rpm</b> (for the farmer/shearer) includes flexi drive	£360.00
GEM028	GEM V12 <b>3300rpm</b> (for the experienced shearer) includes flexi drive	£360.00
GEM029	GEM V12 <b>2200rpm</b> (for cattle clipping) includes flexi drive	£360.00



GEM031	Mains to 12v transformer	£165.00
GEM032	Stand for GEMV12	£150.00

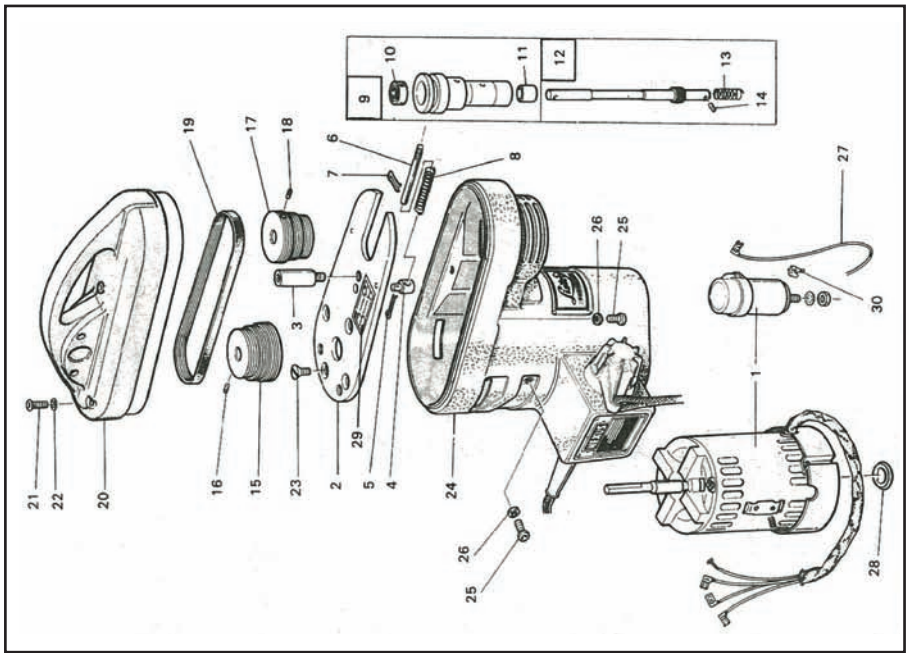
# G.E.M. PRODUCTS

See photographs on previous pages

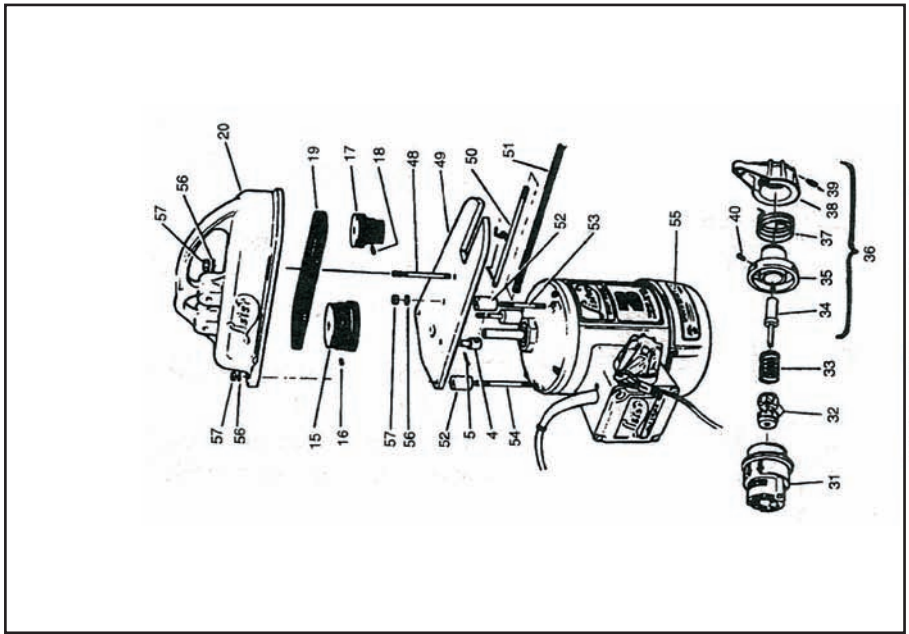
GEM001	Portable Shearing Stand, Galvanised	See page 13	£295.00
GEM002	Galvanised Mobile 3 Stand & Handling Unit	See page 11	£4,250.00
GEM003	Drafting Race to fit Unit		£295.00
GEM004	<b>NEW 2022</b> – Individual Catching Race	See page 12	£1,250.00
GEM005	Mini Shearing & Handling Unit 2 Stand		£3,250.00
GEM005i	[Option for GEM005] convert 2 stand mini Unit to 3 stand		£145.00
GEM006	6ft Sheeted/Railed Hurdle 3ft 6 ins high		£90.00
GEM007	6ft Sheeted Hurdle 3 ft high		£80.00
GEM008	Upright for Machine		£45.00
GEM009	Hanging Bracket for Machine		£45.00
GEM010	Galvanised Portable Shearing & Handling Pen	See page 12	£975.00
GEM011	Pen Front inc. Catching Door, Upright & Bracket		£295.00
GEM012	Pen Back with Filling Door		£235.00
GEM013	Pen Floor 2 x 6ft x 3ft Sections		£275.00
GEM014	Yoke & Hurdle	See page 13	£275.00
GEM015	Coupling Pin		£5.00
GEM016	Door Spring		£3.50
GEM017	Hurdle Lug		£1.50
GEM019	Pivot Support for Warrie Back Aid		£45.00
GEM020	Yoke	See page 14	£225.00
GEM021	2 Door Hurdle for use with Yoke		£225.00
GEM022	Non Return Gate		£125.00
GEM023	U Section to Join Hurdles		£45.00
GEM027	GEM V12 <b>2800rpm</b> (for the farmer/shearer) includes flexi drive		£360.00
GEM028	GEM V12 <b>3300rpm</b> (for the experienced shearer) includes flexi drive		£360.00
GEM029	GEM V12 <b>2200rpm</b> (for cattle clipping) includes flexi drive		£360.00
GEM030	Dagging Crate	See page 14	£549.00
GEM031	Mains to 12v transformer		£165.00
GEM032	Stand for GEMV12 machine		£150.00
GEM033	Elbow leather and spring kit for Lister solid drive		£16.00
GEM034	Twin bag holder for wool packs		£295.00
<b>Plastic flooring for Sheep pens made from <u>recycled plastic</u></b>			
GEM035	3ft x 19in (915mm x 465mm) – price each		£13.00
GEM036	4ft x 19in (1220mm x 465mm) – price each		£15.00
GEM037	Plastic floor section in a galvanised angle iron frame 800mm X 500mm		£22.00

All prices are ex. Works

***If you are pleased with our products, please tell others  
If you have any problems, please tell us***



Lister Nexus



Lister Three Speed



## MACHINE SPARES

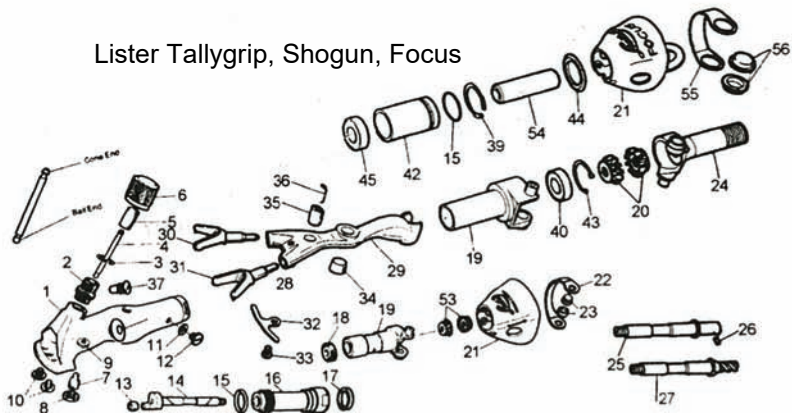
1	Motor & Capacitor	£250.00	27	Capacitor to Switch Lead	£1.00
2	Top Plate	£50.00	28	Motor Blanking Plug	£0.75
3	Top Plate Stud	£3.00	29	Speed Change Label	£0.50
4	Spring Abutment	£6.00	30	Switch Assembly,3 speed	£25.00
5	Split Pin	£0.50	31	Switch Assembly Nexus, Nova	£25.00
6	Spring Bar	£5.00	32	Ratchet Wheel	£1.85
7	Split Pin	£0.50	33	Ratchet Spring	£1.25
8	Spring	£3.50	34	Ratchet Shaft	£12.50
9	Spindle Bearing Assembly Inc. 10 & 11	£39.50	35	Ratchet Housing	£13.50
10	Ball Bearing	£8.00	36	Lever Arm Assembly	£40.00
11	Bush	£3.00	37	Return Spring	£2.00
12	Spindle Assembly	£32.00	38	Switch Handle	£8.00
13	Spring	£2.50	39	Grub Screw	£0.50
14	Pin	£2.20	40	Grub Screw	£0.50
15	Driving Pulley	£30.00	48	Stud	£2.50
16	Grubscrew M5 W Cup point	£0.50	49	Top plate	£50.00
17	Driven Pulley	£24.00	50	Spring Bar	£6.00
18	Grubscrew MS Dog Point	£0.50	51	Spring	£4.50
19	Poly V Belt	£7.50	52	Spacer	£1.85
20	Top Cover	£35.00	53	Short Stud	£1.50
21	Screw M8 x 10 Hex Socket Button Head	£0.85	54	Long Stud	£1.50
22	Washer Fan Disc Type	£0.50	55	Fan Cowl 3 speed	£25.00
23	Screw M6 x 16 CSK Head	£0.40	55	Fan Cowl Nexus/Nova	£5.50
24	Bottom Cover	£33.00	56	Washer	£0.45
25	Screw MS x 10 Hex Socket Button Head	£0.85	57	Nut M6	£0.50
26	Washer	£0.50	58	Fan 3 speed	£16.00
			58	Fan Nexus/Nova	£5.50
			59	Screw for Fan Cowl	£0.35

## MACHINE TOOLS IN STOCK

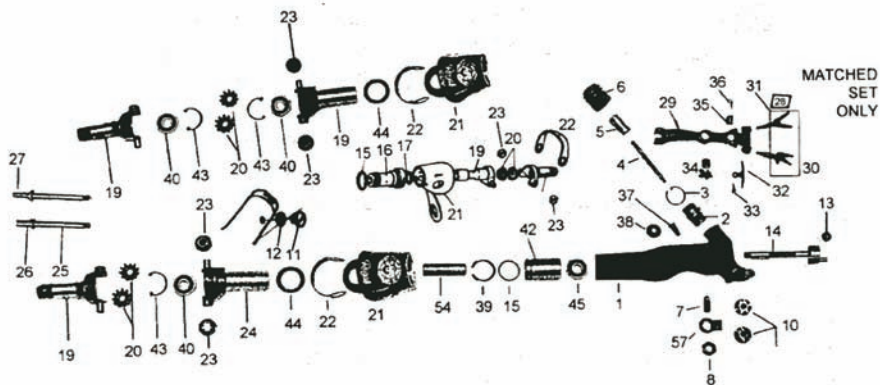
Colchester Triumph roundhead lathe, 3 & 4 jaw chucks	£1750.00
Meddings floor standing pillar drill	£375.00
Vertical bandsaw for wood or steel, working order	£375.00
Single phase air compressor on wheels, working order	£200.00
Fobco bench drilling machine	£355.00
Horizontal bandsaw (straight cut only)	£375.00
Spindle moulder	£450.00
Mortiser with chisels	£550.00

**Other machines in stock, please ring if you are looking for any workshop machines**

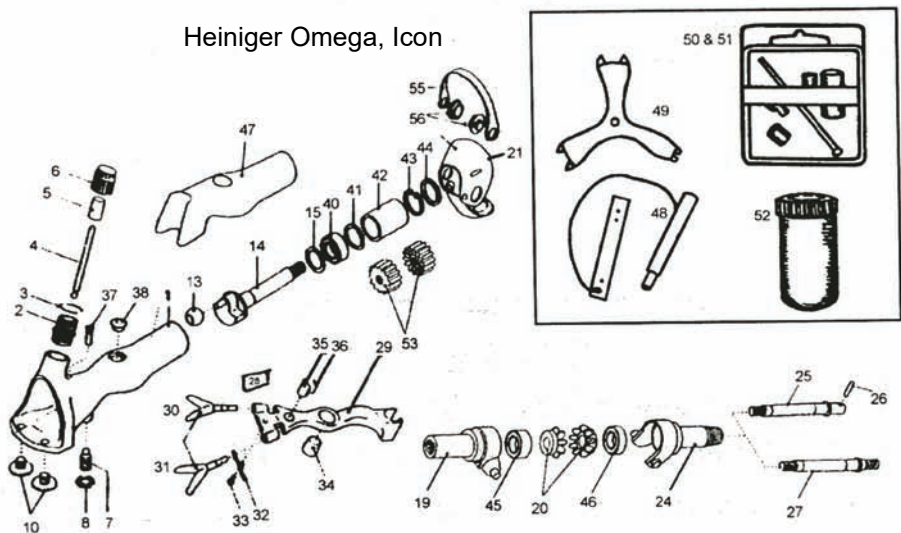
Lister Tallygrip, Shogun, Focus



Supershear, Supergrip, Regal, Gun, Blazer



Heiniger Omega, Icon

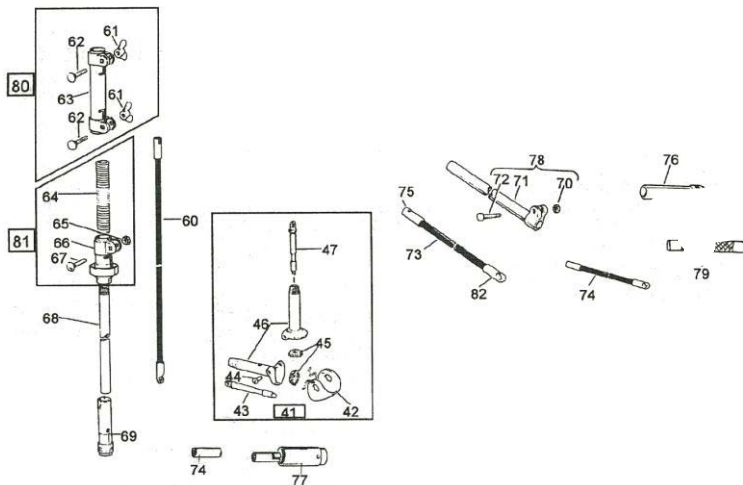


# HANDPIECE SPARES

Lister / Supershear

Heiniger

1	Barrel	£200.00	£225.00
2	Lidbush Screw	£20.00	£20.00
3	Tension Lock Spring	£1.75	£2.00
4	Tension Pin	£10.00	£10.00
5	Sliding Sleeve	£9.00	£12.00
6	Tension Nut Assembly	£25.00	£20.00
7	Fulcrum Post	£9.00	£22.00
8	Fulcrum Post Nut	£3.00	£3.00
9	Felt Washer	£0.55	£0.50
10	Comb Screw	£4.00	£5.50
	Knucklesaver Screw	£4.50	£5.50
11	Oil Hole Screw	£5.00	
12	Oil Hole Screw Washer	£0.75	
13	Crank Roller (Ball)	£13.00	£15.00
14	Crank Spindle	£35.00	£28.00
15	Main Bush 0 Ring	£2.00	£1.70
16	Main Bush Assembly	£45.00	
17	Main Bush Oil Seal	£0.75	£0.50
18	Felt Washer/Seal	£0.50	£0.50
19	Backjoint Shorthalf	£75.00	£92.00
20	Cog (11 tooth)	£20.00	£20.00
21	Leather Joint Guard	£8.00	£15.00
22	Joint Spring (small)	£5.00	
23	Joint Cap (small)	£4.50	
24	Backjoint Longhalf	£70.00	£100.00
25	Short Spindle Pin	£25.00	£30.00
26	Pin (only)	£2.50	£6.50
27	Spline Drive Spindle	£30.00	£30.00
28	Wide Fork Assembly	£125.00	£130.00
29	Wide Fork	£75.00	£72.00
30	Prong-Right Hand	£16.50	£20.00
31	Prong-Left Hand	£16.50	£20.00
32	Prong Retainer	£2.00	£2.00
33	Prong Retainer Screw	£1.50	£2.00
34	Fulcrum Cup	£6.00	£18.00
35	Tension Pin Cup	£8.00	£18.00
36	Tension Pin Spring	£1.75	£1.50
37	Fork Retaining Bar	£2.50	£2.50
38	Oil Cap	£1.50	£1.50
39	Circlip	£1.40	
40	Bearing	£18.00	£32.00
41	Wave Washer		£0.50
42	Gliding Bush	£18.00	£29.00
43	Circlip	£1.35	£2.00
44	Seal	£0.70	£1.00
45	Bearing	£18.00	£25.00
46	Bearing		£25.00
47	Rug	(see section 'Ancillary Shearing Equipment')	
48	Centre Post Gauge	£30.00	£7.50
49	Cog Spanner	£30.00	
50	Long/Major Repair Kit	£80.00	£100.00
51	Short/Minor Repair Kit	£60.00	£70.00
52	Bearing Kit	£35.00	£70.00
53	Cogs (14 tooth)	£17.00	£20.00
54	Spacer	£10.00	
55	Joint Spring Large	£6.00	£7.00
56	Joint Cap Large	£5.00	£8.50
57	Spring Retainer		£8.00



### SOLID DRIVE

41	Tube Joint Assembly	£150.00
42	Guard	£7.00
43	Spindle	£16.50
44	Screw	£1.80
45	Cog	£16.00
46	Tube Joint Bearing Pair	£100.00
47	Spindle	£16.50
60	Long Gut Assembly	£34.00
61	Wing Nut	£4.20
62	Bolt	£2.20
63	Sleeve Assembly	£20.00
64	Spring	£20.00
65	Nut	£1.60
66	Ferrule Assembly	£15.00
67	Bolt	£0.25
68	Long Tube Assembly inc. 80 & 81	£160.00
69	Ferrule	£20.00
70	Nut	£1.60
71	Short Tube Assembly	£35.00
72	Bolt Assembly	£2.15
73	Short Gut Complete	£20.00
74	Short Gut Spline Drive	£25.00
75	Bayonet Joint	£8.00
76	Solid Handpiece Ferrule Metal	£18.00
78	Short Tube Assembly inc 70.71.72	£46.00
80	Top Sleeve Assembly inc 61.62.63	£22.00
81	Ferrule Assembly inc. 64.65.66.67	£44.00
82	Hook	£10.00
GEM033	Elbow leather and spring kit for Lister solid drive	£16.00

## HOW TO FIND US



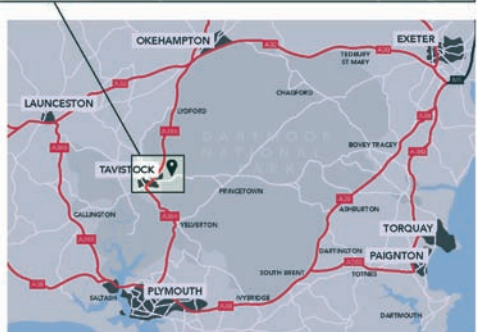
Take the **M5 to Exeter**, then the **A30 to Okehampton**. At **Okehampton Travelodge Services** take the **A386 to Tavistock**.

On the outskirts of **Tavistock** turn sharp left onto the **B3357 to Princetown**.

**Follow for 2 miles** to cross road, **turn left towards Peter Tavy**.

**Take the first turning right** at small sign to **Collaton** (No Through Road).

Follow the road to the end of the lane to the double gates and buildings, **you are here**.



## DELIVERY, PAYMENT TERMS & CONDITIONS

There is a minimum invoice charge of £10.00. We reserve the right to alter prices as shown on our price list without prior notification.

V.A.T. will be charged at the current rate in addition to all prices

**BACS Details: Account Name:** George Mudge & Co.

**Sort Code:** 60-21-49 **Account No.** 03554570

Those customers who have not previously purchased goods from us, we expect payment with order.

Next day carriage when possible. On goods of our own manufacture please ring and we will quote carriage costs on these items. Goods remain property of George Mudge & Co. until paid for in full.

### MACHINE TOOLS

We have a range of machine tools in stock.

Please ring to check what we have available.

We have a lorry and crane available for machine delivery and haulage.





# **QUALITY PRODUCTS MADE BY SHEARERS... FOR SHEARERS!**

**SHEARING MACHINES**

**DRIVES**

**COMBS**

**CUTTERS**

**GRINDERS**

**SHEARING & HANDLING TRAILERS**

**PORTABLE SHEARING & HANDLING PENS**

**PORTABLE SHEARING STANDS**

**DAGGING CRATES**

**YOKE & HURDLES**

**G.E.M PRODUCTS**

**MACHINE TOOLS**

**MACHINE SPARES & PARTS**

**HANDPIECE PARTS**

**[WWW.GEORGEMUDGESHEARING.CO.UK](http://WWW.GEORGEMUDGESHEARING.CO.UK)**

George Mudge & Co. Meadowside, Collaton, Tavistock, Devon PL19 9JT  
01822 615456 | [info@mudgeshearing.co.uk](mailto:info@mudgeshearing.co.uk)