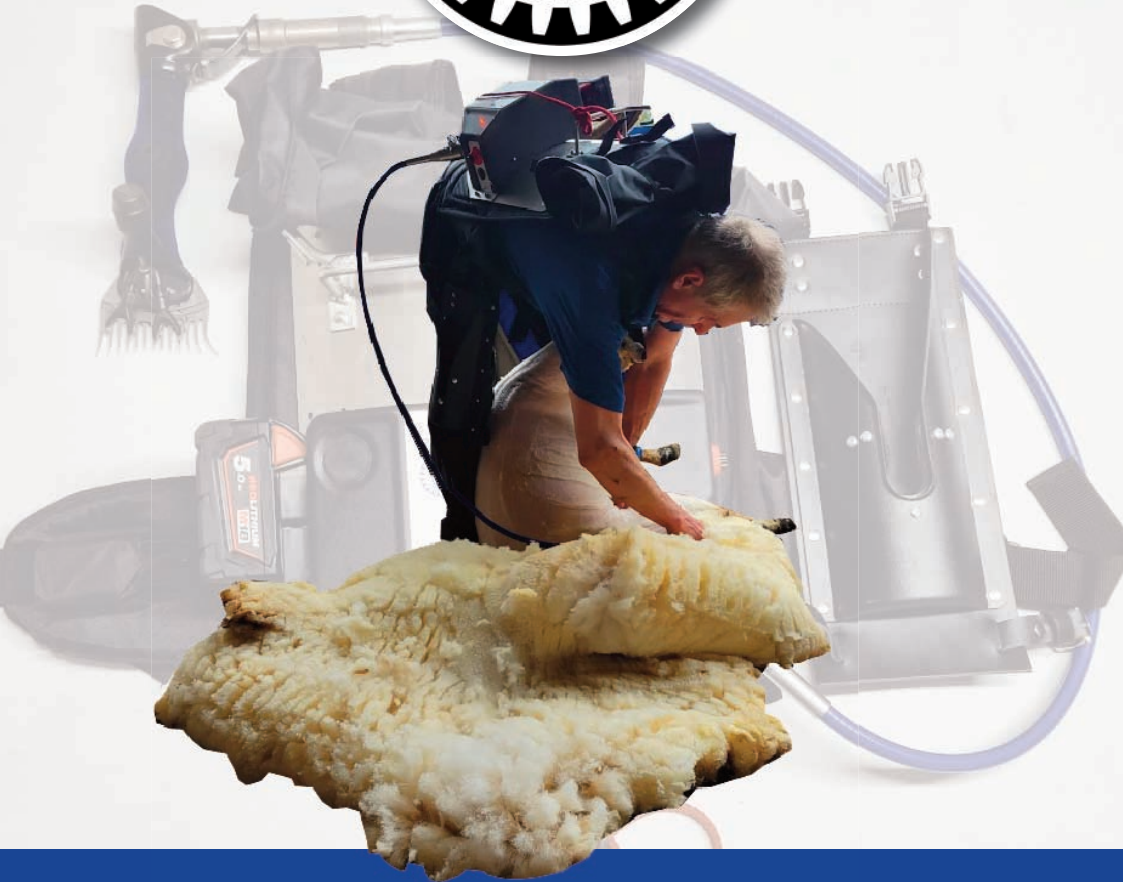


**NEW  
2024  
PORTABLE  
SHEAR  
PACK**



2024

CATALOGUE  
& PRICELIST



**GEORGE MUDGE & CO.**

SHEEP SHEARING EQUIPMENT SPECIALISTS

01822 615456 | [info@mudgeshearing.co.uk](mailto:info@mudgeshearing.co.uk)  
[www.georgemudgeshearing.co.uk](http://www.georgemudgeshearing.co.uk)

# The 2024 GM LETTER

Dear Customer.

Farming worldwide is in crisis. In my opinion, within a few years millions of people around the world will die of starvation as there will not be enough food to feed them. All western governments are restricting production to meet the nett zero nonsense. The majority of people would like food produced sustainably on local farms, but this is becoming more and more difficult as the farmers are always portrayed as the bad guys. We all should buy our food from small independent traders when possible, the supermarkets and multinationals are part the problem. My mum and Dad brought my brother and I up on 47 acres, they worked very hard, never had a holiday, just the odd day off to the see friends or relations and one or twice a year to go to watch sheep dog trials, but we never went hungry. What a change to today when you would be struggling to make a living on 300 acres without some other income. Farming in the Netherlands is a prime example, the government do not want the farms to be handed on to the next generation, the farmers have started their own party and now have many seats in their parliament. IT IS TIME WE MADE A STAND IN WHATEVER WAY WE CAN. We all need a doctor now and then, a solicitor now and then but everybody needs a farmer 3 times a day.

In 2006 Doreen and I went to Queensland (our last trip overseas together) where we met a lorry driver in the outback, he said "The New World Order will lead to a one world government". It was the first time that I had heard that phrase but what with the World Health Organization (they will take complete control of the next pandemic unless governments say no), World Trade Organization and many others I think he was right. They are planning to make us use a digital currency CBDC, so that they can control everything. In China everyone has a credit rating, without it you can do nothing, we must try to avoid that happening in the U.K. PLEASE TRY TO USE SOME CASH WHENEVER YOU CAN.

What is happening in our academic and UK society is terrible, what with little or no discipline, telling young children that you can change your gender, I think it is wicked. George Orwell said in 1984 that all statues will be changed, all books rewritten, etc. There will be continual war and nobody will know who are the good guys and who is the bad guys, is that not what is happening today? Free speech in 2024 is being eroded and anyone who has the courage to say what they think is labelled as Far Right or extremist. The amount of legal and illegal immigrants coming into our country will change our social fabric irrevocably. At the last election I voted Conservative for the first time in over 20 years, as I had voted U.K.I.P. since 2000. I think the Conservatives have been a disaster and I want things to change so this time I will be voting Reform UK. They are unlikely to get many seats but I for one will be voting what I believe in. In my opinion we need to break the 2-party system, as I think they are both following orders from the global leaders. REFORM UK hopefully will try to represent the will of the people.

**BUSINESS.** I have been developing and a portable cordless shearer for the past 2 years, it is worn on the back and is now ready for sale. The Shear Pack can be supplied to take Milwaukee, Makita or De Walt batteries. A 5 amp battery lasts approx. an hour. It is in a backpack and supplied with a short, small flex drive to fit a standard handpiece. I am never happier when developing something new, and as always, using nearly all parts made in the U.K. Congratulations to all the competitors who took part in the World Championships held at the Royal Highland last year. I am extremely proud of my son Andrew who came 3rd in the blade shearing, this is the first time that a northern hemisphere shearer has made the podium in an individual world blade final beating both Kiwi's for the first time. Coming 5th in the team final was O.K. for Andrew and I, but me not putting one down the porthole probably cost us 2 places.

Yours faithfully,

*George Mudges*

# Contents

**SHEARING MACHINES / DRIVES / HANDPIECES**

**3-4**

**COMBS / CUTTERS / GRINDING**

**5-6**

**GEM & BRANDED CLOTHING**

**7-8**

**ANCILLARY EQUIPMENT & BACK AID**

**9-10**

**GEM SHEARING EQUIPMENT**

**11-12**

**GEM HANDLING EQUIPMENT**

**13-16**

**USED & EX DEMO EQUIPMENT - INC. MACHINE TOOLS**

**17**

**EQUINE & PET PRODUCTS**

**18**

**EQUIPMENT PARTS - MACHINE / HANDPIECE / DRIVE**

**19-22**

**OUR SERVICES - SHARPENING / REPAIRS**

**23**

Please visit our website [www.georgemudgeshearing.co.uk](http://www.georgemudgeshearing.co.uk)  
Also check our face book page and Instagram for monthly offers and new products.

## SHEARING MACHINES

### Shearing Sets

Capacitor Start Motor, Speeds 2,800rpm, 3,200rpm, 3,500rpm

LIS001	Nexus Sensor motor and switch unit	£575
LIS002	Nexus sensor - complete with solid shaft	£895
LIS007	Nova less Handpiece	£475
HEI001	Heiniger Evo motor only	£650
HEI002	Heiniger Evo with solid drive	£1,125
HAN001	New Zealand Handypiece	£749



### GEM Shearing 12 & 18 Volt Machines

Designed by us - Made in the UK

GEM027	GEM V12 2800rpm (for the farmer/shearer) includes flexi drive	£360
GEM028	GEM V12 3300rpm (for the experienced shearer) incl. flexi drive	£360
GEM029	GEM V12 2200rpm (for cattle clipping) incl. flexi drive	£360
GEM042	Shearpack 18 Volt with on/off switch Takes Milwaukee, Makita or Dewalt Batteries (Not supplied)	£595
GEM043	Shearpack 18 Volt with pullcord and on/off switch. Takes Milwaukee, Makita or Dewalt Batteries (Not supplied)	£625



### Motor in Handpiece

Mains & Cordless

LIS009	Lister Fusion Sheep/Cattle clipper (Mains) Horse version available page 1	£330
ERG001	Cordless clipper with 2 batteries with 12 months warranty	£220
ERG002	Mains clipper with 12 months warranty	£150
HEI036	Heiniger Xpert Sheep/Cattle - mains clipper	£315



### Handpieces

LIS004	Lister Skorpion (Triple Bearing)	£375
LIS006	Lister Outback (Twin Bearing)	£350
HEI003	Heiniger Icon FX (incl ferrule)	£395
HEI003A	Heiniger Cyclone (incl ferrule)	£389
HEI003B	Heiniger SFX (incl ferrule)	£490



**TRADE IN AN OLD HANDPIECE £35.00 OFF A NEW ONE!**

## NEW Handpiece TORCH

Every young shearer should have one at **ONLY £22**



### Drives

Flexible & Solid

LIS025	Flexible 2 Speed Complete	£90
LIS026	Flexible 2/3 Speed/Nova/Nexus shaft <b>INNER</b>	£42
LIS027	Flexible 2 Speed Sheath <b>OUTER</b>	£52
LIS028	Flexible 3 Speed/Nova/Nexus Complete	£90
LIS029	Flexible 3 Speed/Nova/Nexus Sheath	£50
LIS034	Short Gut Spline/Worm drive	£25
LIS035	Long Gut	£35
LIS036	Flexi 10ft Complete for Cattle Trimming	£100
LIS039	Flexible 8ft complete	£95
LIS040	Lister QR solid drive with small elbow joint	£335
LIS041	Lister QR Flexible Drive	£130
HEI050	Heiniger Solid Drive	£475

**\*TRADE IN OFFER, £35 OFF A NEW LISTER QR SOLID DRIVE!**

### GEM Drives

Designed by us - Made in the UK

GEM	Solid Drive to fit pin drive 3 speed and Nexus machines	£300
GEM	Solid Drive with <b>Large</b> cogs to fit pin drive 3 speed and Nexus machines	£270



Lister

LIS010 Countryman 76mm MB	£12.00
LIS012 Champion CC23 comb only	£17.50
LIS013 Challenger Elite 3-94	£17.00
LIS015 Slayer Elite 3-96	£17.00
LIS017 Enforcer Elite 3-98	£17.00
LIS019 Havoc Elite 4-94	£17.00
LIS020 Renegade Elite 4-96	£17.00
LIS021 Devil Elite 5-94	£17.00
LIS023 Rampage Elite	£17.00



Heiniger

HEI004 Raging Warrior 96mm SB Run In	£22.00
HEI005 Super Charger Run in Comb 92mm SB	£22.00
HEI006 Charger 92mm SB	£22.00
HEI007 Quantum 95mm SB Run In	£22.00
HEI009 Quasar 4. 95mm MB	£22.00
HEI010 Kombat 97mm SB	£22.00
HEI011 Condor 98mm SB Run In Comb	£22.00
HEI012 Warrior 96mm SB	£22.00
HEI013 Calibre	£22.00
HEI014 Reflex 94mm MB Reflex 94mm MB	£22.00
HEI015 Pro Legend	£22.00
HEI016 XLR8 98mm MB	£22.00
HEI017 Freestyle	£22.00
HEI018 B-Evil 94,5 Bat bevel	£22.00
HEI019 Ninja 97mm LB Run in	£22.00
HEI020 Wicked 93.5mm LB	£22.00
HEI021 Freak 94.5mm LB Run In Comb	£22.00
HEI022 Rebel	£22.00
HEI023 Blizzard Winter Comb	£28.00



Inferno

INF001 Inferno Comb 92mm 3.5 mm bevel	£11.00
INF002 Inferno Comb 95mm 3.5 mm bevel	£11.00
INF003 Inferno Comb 94mm 5 mm bevel	£11.00
<b>Farmer's Comb</b>	
INF004 Inferno Standard Comb 76mm	£10.00



Lister Cutters

	Quantity	1-9	10-49	50+
LIS022 Chaos		£4.25	£4.15	£3.95
LIS023 Rampage		£4.25	£4.15	£3.95

Heiniger Cutters

	Quantity	1-9	10-49	50+
HEI024 Jet		£4.95	£4.75	£4.65
HEI025 Edge		£4.95	£4.75	£4.65
HEI026 Extreme		£4.95	£4.75	£4.65
HEI027 Diamond		£4.95	£4.75	£4.65
HEI028 Storm		£4.95	£4.75	£4.65



Inferno Cutters

**GEM026 Inferno £2.75**

**GEM026 Inferno Quantity 50+ £2.50**



Grinders

LIS037 Lister Grinder with Aluminium Discs	£1,495.00
HEI034 Heiniger Grinder with all Accessories	£1,595.00
LIS038 Lister Aluminium Disc & Carry Clamp	£475.00



**WE OFFER A FULL GRINDING SERVICE  
SEE SERVICE PAGE 26**

**GEM Clothing**

Designed by us - Made in the UK

- CLO001 GEM Trousers (while stocks last) £42.00
- CLO032 GEM extra thick long tail hoodie £40.00
- CLO033 GEM extra thick short sleeve sweat shirt £35.00
- CLO036 GEM Elastic waist trousers (NEW for 2024) £48.00
- CLO015 Elastic Belt Narrow 2" £12.00
- CLO009 Cotton Singlet Extra Long our logo £12.50
- CLO018 GEM Flannel Back Warmers £28.00
- CLO034 Lined Leather Mocs £30.00  
(Made in the UK with British materials incl. wool lining)
- TWE001 GEM Tweed Jacket (100% Wool) £130.00
- TWE006 GEM Tweed Smock (100% Wool) £125.00
- TWE011 GEM Tweed Gilet Body Warmer (100% Wool) £115.00
- TWE017 GEM Tweed Gilet Zip (100% Wool) £120.00
- CLO008 GEM Tweed Flat Cap (100% Wool) £35.00

**Branded Clothing**

- CLO002 Heiniger Next Gen Jeans with front pockets £69.00
- CLO003 Fagan Shearblack trousers £69.00
- CLO010 New Zealand Redband Calf length Boots £45.00
- CLO011 Skellerup Quatro Sport Insulated Boots £90.00
- CLO017 Gunrunner Mocs (elastic sided, while stocks last) £45.00
- CLO020 Moccasins - Lined Leather Sheargear NZ £30.00
- CLO021 Supermocs sizes 6-13 £30.00
- CLO023 Polo shirt £20.00
- CLO025 Hoodies - two-tone colour £25.00
- CLO026 Children's vest (Ages 2-11 yrs) £10.00
- CLO027 Children's hoodies £15.00
- CLO031 Rambowool socks (70% Merino Wool) £12.50
- CLO035 Kairanga Woollen Singlets £27.00



All GEM tweed is made from our own (50%) and British (50%) wool.

Please call 01822 615456 if you are unsure of trouser sizes as return postage will be charged for any exchanges

Trousers	Waist sizes (Inches / Centimetres)											
	30/76	31/79	32/81	33/84	34/86	35/89	36/92	37/94	38/97		40/102	43/109
GEM	30/76	31/79	32/81	33/84	34/86	35/89	36/92	37/94	38/97		40/102	43/109
Fagan	30/76 Size 4	31/79 Size 4.5	32/82 Size 5	33/84 Size 5.5	34/86 Size 6	35/89 Size 6.5	36/92 Size 7	37/94 Size 7.5	38/97 Size 8	39/99 Size 8.5	40/102 Size 9	
Heiniger	77.5cm	80cm	82.5cm	85cm	87.5cm	90cm	92.5cm	95cm	97.5cm	100cm	102.5cm	107.5cm

All waist sizes available in Short (29/74), Medium (31/79), and Long (33/84) inside leg lengths



Side and chest pockets & long tail



Side and chest pockets & 2 way zip ribbed cuffs & long tail



**Pendulums**

ACE001	Ace Pendulum	£50.00
ELL001	Ellery Pendulum	£75.00
SUP015	Supershear Pendulum	£90.00
HEI029	Heiniger Pendulum	£110.00



**Emery Cloth & Glue**

SUP019	Hermes SAME GRIT Individual	£4.00
SUP021	Hermes SAME GRIT Pack of 10	£37.50
HEI032	Heiniger emery cloth pack 10 (same grit)	£57.00
CER001	Ceramit (green) long lasting emery cloths 40 & 80 grit	£5.50
RED001	Red Heat Emery cloths Pack of 10	£69.00
MIS002	British Latex Glue 250ml	£5.00
HEI034	Heiniger Glue small	£6.00
HEI035	Heiniger Glue large	£9.00



**Buffing Kit / Polish / Sharpening**

SUP023	Buffing kit, complete with Polish, Mop and Bright Boy. All in carrying box	£195.00
SGB001	Shear Grunt buffer	£350.00
MIS007	Bright Boy	£35.00
MIS008	Polishing mop-open	£15.00
MIS011	Carbrax Polishing Compound - Coarse	£10.00
MIS012	Hyfin- Polishing compound- Fine	£10.00
MIS015	Kleen-it-stick	£8.00
MIS026	Diamond Sharpening Stone for Handshears	£37.50
MIS033	White Comb Dressing Stone	£22.00
MIS034	Coarse Dressing Stone	£18.00
MIS035	Slip Stone	£10.00
MIS040	6 inch leather strop	£15.00
MIS046	Strop & Shine	£75.00
MIS058	Rubber wheel for tooth thinning, similar to Bright Boy	£18.00



MIS018	British Felt Comb Pouch 6 Pocket - 36 Combs	£18.00
MIS003	British Flat Felt Comb Pouch 10 Pocket	£18.00
MIS004	British Flat Leather Comb Pouch 10 Pocket	£20.00
MIS005	Leather Comb Pouch 6 Pocket NZ Sheargear	£30.00
MIS009	Leather Comb Pouch 9 Pocket NZ Sheargear	£40.00
MIS019	Comb Protectors	£5.00
MIS006	Surgical needles from	£2.00
MIS016	Brush with Scraper	£8.50
MIS020	Tally Counter Metal	£8.00
MIS022	Rosa shears from South Africa	£35.00
MIS023	Lizard skin Handpiece rug	£12.00
MIS025	Warrie Cutter Dispenser	£28.00
MIS027	Carrying Tool Bag - Large	£145.00
MIS028	Lamb foot shears	£12.00
MIS029	Bag Needles	£3.00
MIS030	Burgon & Ball Handshears from	£25.00
MIS032	Jakoti Shears	£28.50
MIS036	Holdall Sports Bag. 30 litre capacity	£30.00
MIS037	Wooden handle Wool broom (various colours)	£25.00
MIS038	Oil Bottle	£1.00
MIS039	Wesco Oil can	£6.00
MIS041	Wool Broom Extenda Handle	£38.00
MIS042	Broom Paddle	£12.00
MIS044	Plastic dog whistle	£2.50
MIS047	New Zealand Super crook	£37.50
MIS048	Leather holster for handshears	£15.00
MIS053	Cog key with knucklesaver/wide blade	£10.00
MIS054	Cog Key as above but strong magnetic	£12.50
MIS055	Screwdriver knucklesaver/wide/narrow	£8.50
MIS056	As MIS055 with strong magnet	£10.50
MIS057	Coloured Ferule (Blue, Red, Green, Orange, Pink)	£20.00
SAF001	Power breaker mains only	£16.00
SAF003	Power breaker, heavy duty with plug & socket	£60.00
MAS001	Masterject	£275.00
MAS002	Masterject Syringe (each)	£1.75
MAS003	Masterject Needles (each)	£1.00



**Back Aid**

GEM038	Mudge Back Aid Complete	£120.00
GEM039	Chest Belt for above	£35.00
GEM040	Springs for above	£30.00
GEM041	Crutching frame	£125.00





**At Last there is a British Designed and built portable shearing and crutching machine, the SHEAR PACK**

It can be supplied to take Dewalt, Milwaukee, Makita batteries (sold separately). Run time shearing on a 5amp battery is approximately 1 hour. A 12amp battery lasts approximately 2½ hours.

It is supplied in a backpack, a small, short flexible driveshaft that accepts a standard handpiece (not included) and is complete with a holster for the handpiece.

It can be used on the back with the switch on the wasteband or hanging up on a bracket (purchased separately), being switched on and off with the pullcord.

It also has variable speed control to suit the ability of the shearer and the conditions.

**It is built to last and we have designed it and are manufacturing them at our works in Devon.**

**GEM042 Shear Pack with on/off switch £595**

**GEM043 Shear Pack with pullcord & on/off switch £625**

Batteries NOT supplied.



**NO SET UP REQUIRED**



**Advantages of the V12**

1. Takes solid or flexible drive with no extra cost of adaptors
2. Heavy duty switch
3. Heavy duty leads and clips
4. Easily detachable drive
5. Ability to adjust length of sheath
6. Hanging bracket available to suit our pen/trailers
7. Stand available for crutching near vehicle

**GEM027 GEM V12 2800rpm**  
(for the farmer/shearer)  
includes flexi drive **£360.00**

**GEM028 GEM V12 3300rpm**  
(for the experienced shearer)  
includes flexi drive **£360.00**

**GEM029 GEM V12 2200rpm**  
(for cattle clipping)  
includes flexi drive **£360.00**

**GEM031 Mains to 12v transformer**  
**£185.00**

**GEM032 Stand for GEMV12**  
**£150.00**

**Designed by us - Made in the UK**  
**Quality, robust and made to last.**





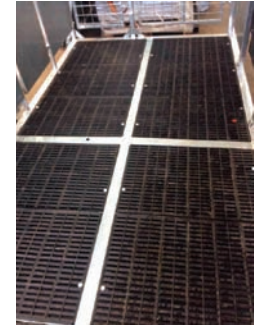
**GEM002 - Mobile Shearing & Handling Unit - £4,250**

Light (8 cwt approx.) yet strong. Size 10' x 5' x 3' 6" high. Easily towed behind an average family car. Quick to set up (under 5 mins). Easy ground level entrance filling at the rear of the unit is either by a large or small gate. Filling at the front is by a swing gate. A non-return gate can be fitted in this position to allow sheep to enter the unit via a race (following each other into the unit with minimal help by the farmer). Smooth road travel due to axle suspension units.



**Supplied with:**

- ✓ Removable lighting board
- ✓ Adjustable height uprights
- ✓ Hanging brackets for machines
- ✓ Hydraulic lifting pump to raise/level trailer
- ✓ Plastic slatted floor
- ✓ Provision for spare wheel



**Pictured below with Yoke (GEM020), Drafting Race (GEM003), 4 x Hurdles (GEM007) and joiners (GEM023) - please note these items are not included in the price shown] Please see page 17 for details on all additional options and other GEM products**



Designed by us - Made in the UK  
Quality, robust and made to last.







**GEM010 - Portable Shearing & Handling Pen - £995**

Galvanised 6ftx6ft unit for the farmer or contractor. Includes spring loaded catching door, adjustable height uprights and hanging bracket for machine. Interchangeable hurdle and opening door allows filling on any one of three sides. Can be used individually or as modules of a larger unit. Mesh floor helps keep sheep's feet clean. All hot dipped galvanised.



**GEM004 - Individual Catching Race - £1250**

Portable shearing race. Dismantles to fit into a small trailer or van. Suitable for right-hand or left-hand shearer. Complete with upright and hanging bracket.



**GEM030 - Dagging Crate (Free Standing) - £549**

A galvanised dagging race consisting of a yoke, 2 door hurdle, sheeted 6 ft hurdle and U section and 4 coupling pins. Designed for stand up dagging, drenching, injecting.

Also suitable as a drafting race.



**GEM001 - Portable Shearing Stand - £295**

This stand is very quick and easy to erect and dismantle. It will all fit into the boot of an average car, except the shearing boards which will fit on a roof rack. The stand includes a hanging bracket for the machine.

**ALL GEM PRODUCTS**  
Designed by us - Made in the UK  
Quality, robust and made to last.



**GEM020 Yoke - £225**

A simple yoke for restraining sheep, enabling easy stand up dagging (particularly important when ewes are heavily pregnant). After dagging, the sheep is released and allowed to pass through. The next sheep follows into the yoke.

Can be used in a race or as part of a handling system. Also useful for holding ewes when putting lambs to suck.  
Dimensions: 1100 x 630mm

**GEM014 Yoke & Hurdle - £275**

A six foot galvanized hurdle incorporating the galvanized yoke.

This can be used as one side of our shearing pen (as seen on page 15) or as part of your existing system.



**ALL GEM PRODUCTS**

Designed by us - Made in the UK - Quality, robust and made to last.

GEM001	Portable Shearing Stand, Galvanised See page 16	£295.00
GEM002	Galvanised Mobile 3 Stand & Handling Unit See page 13	£4,250.00
GEM003	Drafting Race to fit Unit	£295.00
GEM004	Individual Catching Race See page 15	£1,250.00
GEM005	Mini Shearing & Handling Unit 2 Stand	£3,750.00
GEM005i	[Option for GEM005] convert 2 stand mini Unit to 3 stand	£145.00
GEM006	6ft Sheeted/Railed Hurdle 3ft 6 ins high	£90.00
GEM007	6ft Sheeted Hurdle 3 ft high	£80.00
GEM008	Upright for Machine	£45.00
GEM009	Hanging Bracket for Machine	£45.00
GEM010	Galvanised Portable Shearing & Handling Pen See page 15	£995.00
GEM011	Pen Front inc. Catching Door, Upright & Bracket	£295.00
GEM012	Pen Back with Filling Door	£245.00
GEM013	Pen Floor 2 x 6ft x 3ft Sections	£275.00
GEM014	Yoke & Hurdle See page 17	£275.00
GEM015	Coupling Pin	£5.00
GEM016	Door Spring	£3.50
GEM017	Hurdle Lug	£1.50
GEM019	Pivot Support for Warrie Back Aid	£45.00
GEM020	Yoke See page 17	£225.00
GEM021	2 Door Hurdle for use with Yoke	£225.00
GEM022	Non Return Gate	£125.00
GEM023	U Section to Join Hurdles	£45.00
GEM027	V12 2800rpm (for farmer/shearer) includes flexi drive	£360.00
GEM028	V12 3300rpm (for experienced shearer) includes flexi drive	£360.00
GEM029	GEM V12 2200rpm (for cattle clipping) includes flexi drive	£360.00
GEM030	Dagging Crate See page 16	£549.00
GEM031	Mains to 12v transformer	£185.00
GEM032	Stand for GEMV12 machine	£150.00
GEM033	Elbow leather and spring kit for Lister solid drive	£16.00
GEM034	Twin bag holder for wool packs	£295.00

**Plastic flooring for Sheep pens made from recycled plastic**

GEM035	3ft x 19in (915mm x 465mm) – price each	£18.50
GEM036	4ft x 19in (1220mm x 465mm) – price each	£21.00
GEM037	Plastic floor section in a galvanised angle iron frame 800mm X 500mm	£22.00

**Shear Pack - see page 11**

GEM042	Machine with on/off switch (battery purchased separately)	£595
GEM043	Machine with pullcord (battery purchased separately)	£625

### Used Machine Tools

GMUSED1	XYZ Proturn 420 centre lathe, working order with tool holders	£4500.00
GMUSED2	D.P.M. Bed Mill, 60 X 12 table good working order Newall 3 axis readout	£4750.00
GMUSED3	Bridgeport turret milling machine Vari -speed head, readout	£3250.00
GMUSED4	Anyak turret heavy duty turret milling machine 40int taper	£1850.00
GMUSED5	Harrison centre lathe, 3 & 4 jaw chucks and face plate	£1250.00
GMUSED5	Churchill cub centre lathe, 3 & 4 jaw chucks, collet set	£1250.00
GMUSED5	Startrite vertical bandsaw, 18 -V-10, good condition	£950.00
GMUSED5	Herbert bank of 2 drill on a base for 3, 3MT	£875.00
GMUSED5	Viceroy pillar drill 2 MT	£285.00
GMUSED5	Fobco bench drill, 3 phase	£275.00
GMUSED5	Jones & Shipman 540 surface grinder, mag chuck	£1500.00
GMUSED5	Colchester Mascott round head gap bed centre lathe, 3 & 4 jaw chucks, old but still in working order	£950.00
GMUSED5	Clarkson universal milling machine , DRO	£1500.00

All machines sold are in good working order unless otherwise stated.

Used machine stocks change so please ring if you are looking for any workshop machines we will be able to help.



### Used Shearing Machines & Handpieces

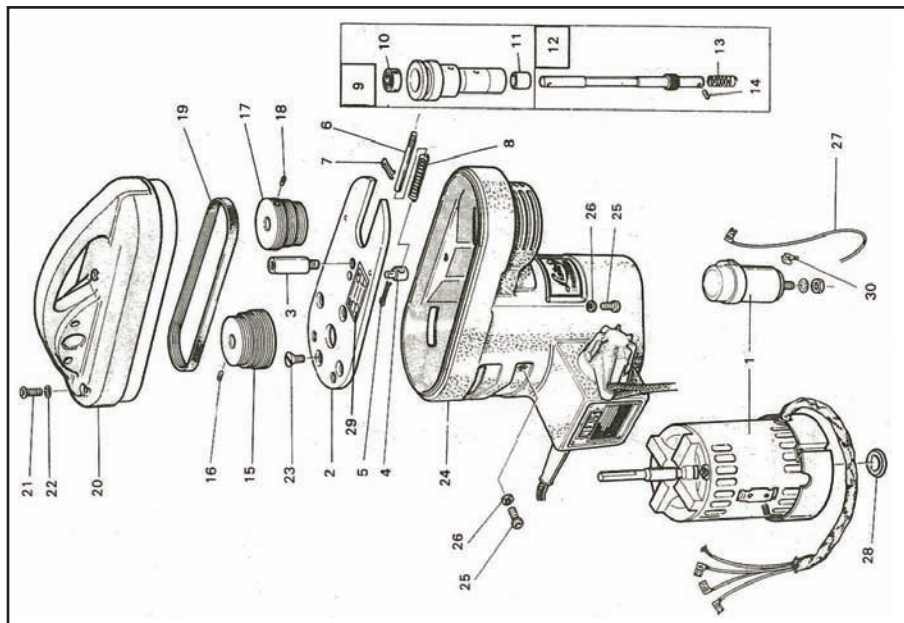
Lister Nova machine with Flexi drive 12v	£250.00
V12 12 volt machine and flex drive	£275.00
Nexus Motor and Solid drive, Good working order	£450.00
Lister / Supershear / Heiniger - Reconditioned Handpieces from Recon Lister Nexus Motors only (No drive)	£150.00
Reconditioned Solid drives. Good condition	£350.00
Euroclip with flex	£150.00

Please call if you are looking for any machine not listed and we will try to help

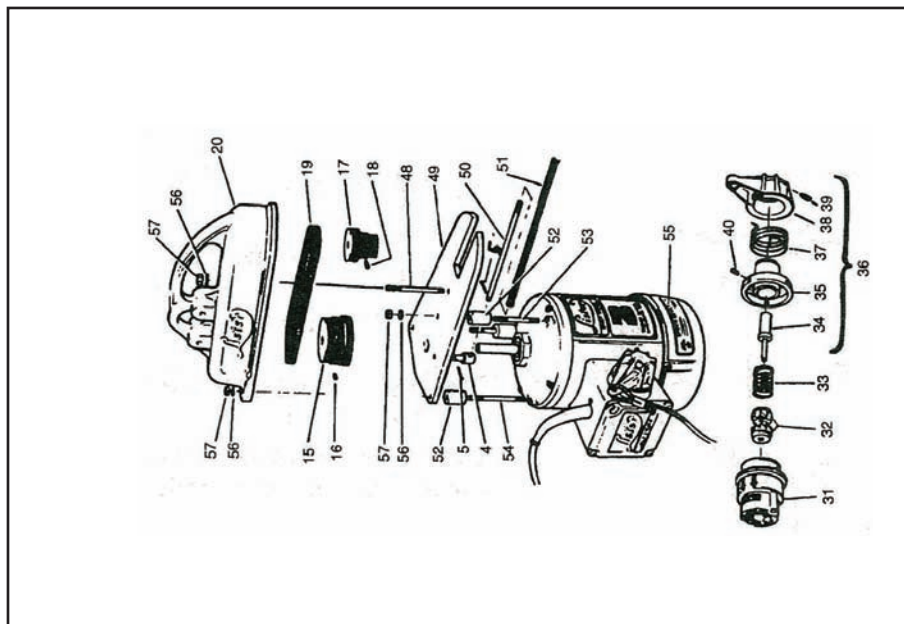


### Pricelist

EQU002	Lister Eclipse (Cordless) 1 or 2 Batteries and FREE Lister Holdal bag	from £300
EQU006	Heiniger Saphir (10 Narrow Blade)	£220.00
EQU007	Heiniger Saphir Horse (10W Blade)	£232.50
EQU009	Wahl Blade guides (Fit Libretto Max trimmer)	£22.00
EQU010	Heiniger Xplorer 1 or 2 Batteries from	£320.00
EQU011	Lister/Heiniger/Liveryman Blades (Large) from	£30.00
EQU012	A5 and Trimmer Blades Wahl, Liveryman, Heiniger from	£20.00
EQU013	Lister Fusion 2-speed Clipper (Heavy Duty)	£263.50
EQU037	Liveryman Harmony Plus	£175.00
EQU038	Liveryman Bruno-Mains (Can use with Black Beauty battery-available sep)	£131.67
EQU040	Liveryman Classic	£108.33
	Liveryman Nova	£45.77
	Clipper Batteries (Lister & Heiniger)	from £60.00
	Clipping Oil 250ml	£6.00
	Clipping Oil 500ml	£9.00
	Blade sharpening (Per Set)	£7.50



Lister Nexus



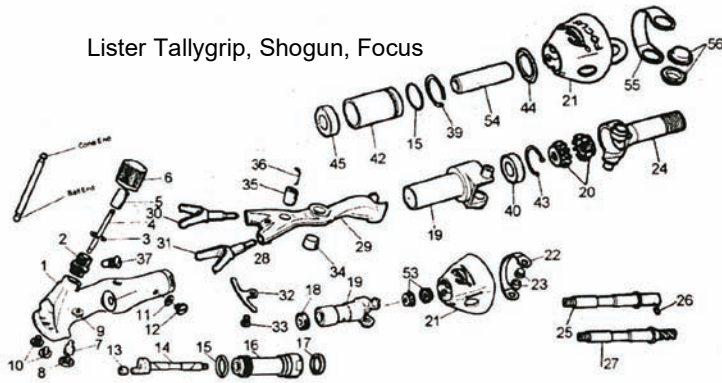
Lister Three Speed

1	Motor & Capacitor	£250.00	27	Capacitor to Switch Lead	£1.00
2	Top Plate	£50.00	28	Motor Blanking Plug	£0.75
3	Top Plate Stud	£3.00	29	Speed Change Label	£0.50
4	Spring Abutment	£6.00	30	Switch Assembly, 3 speed	£25.00
5	Split Pin	£0.50	31	Switch Assembly Nexus, Nova	£25.00
6	Spring Bar	£5.00	32	Ratchet Wheel	£1.85
7	Split Pin	£0.50	33	Ratchet Spring	£1.25
8	Spring	£3.50	34	Ratchet Shaft	£12.50
9	Spindle Bearing Assembly Inc. 10 & 11	£39.50	35	Ratchet Housing	£13.50
10	Ball Bearing	£8.00	36	Lever Arm Assembly	£40.00
11	Bush	£3.00	37	Return Spring	£2.00
12	Spindle Assembly	£32.00	38	Switch Handle	£8.00
13	Spring	£2.50	39	Grub Screw	£0.50
14	Pin	£2.20	40	Grub Screw	£0.50
15	Driving Pulley	£30.00	48	Stud	£2.50
16	Grubscrew M5 W Cup point	£0.50	49	Top plate	£50.00
17	Driven Pulley	£24.00	50	Spring Bar	£6.00
18	Grubscrew MS Dog Point	£0.50	51	Spring	£4.50
19	Poly V Belt	£7.50	52	Spacer	£1.85
20	Top Cover	£35.00	53	Short Stud	£1.50
21	Screw M8 x 10 Hex Socket Button Head	£0.85	54	Long Stud	£1.50
22	Washer Fan Disc Type	£0.50	55	Fan Cowl 3 speed	£25.00
23	Screw M6 x 16 CSK Head	£0.40	55	Fan Cowl Nexus/Nova	£5.50
24	Bottom Cover	£33.00	56	Washer	£0.45
25	Screw MS x 10 Hex Socket Button Head	£0.85	57	Nut M6	£0.50
26	Washer	£0.50	58	Fan 3 speed	£16.00
			58	Fan Nexus/Nova	£5.50
			59	Screw for Fan Cowl	£0.35

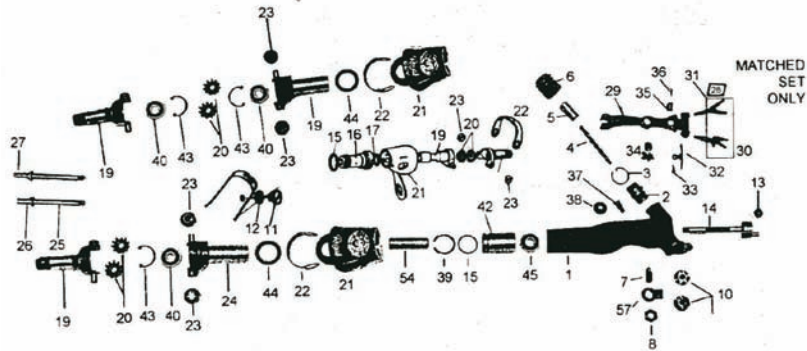
If you need any help identifying parts or ordering please give us a call on 01822 615456 or visit our website [www.georgemudgeshearing.co.uk](http://www.georgemudgeshearing.co.uk)

We also offer a full repair service - see page 26.

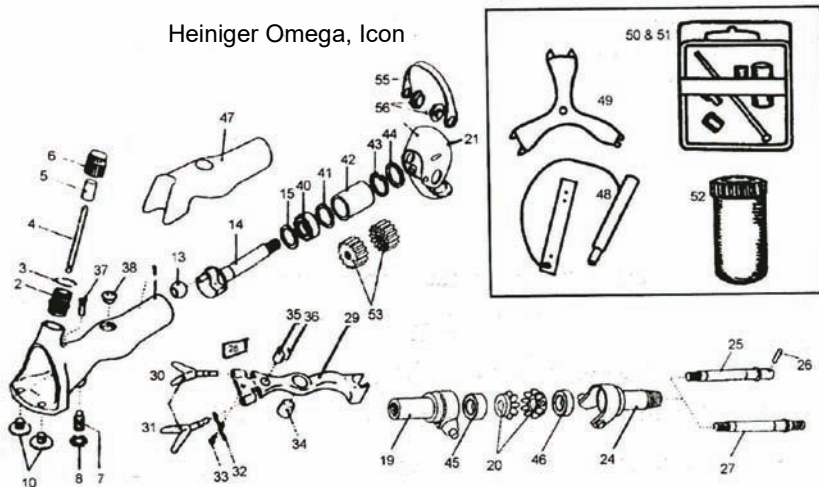
Lister Tallygrip, Shogun, Focus



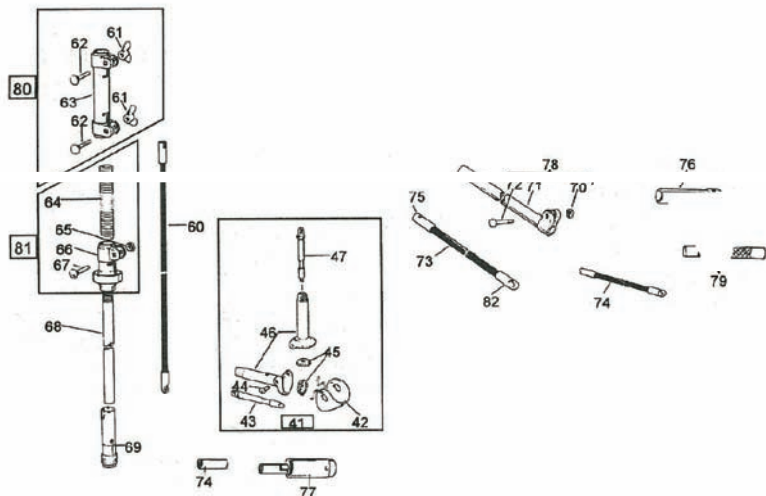
Supershear, Supergrip, Regal, Gun, Blazer



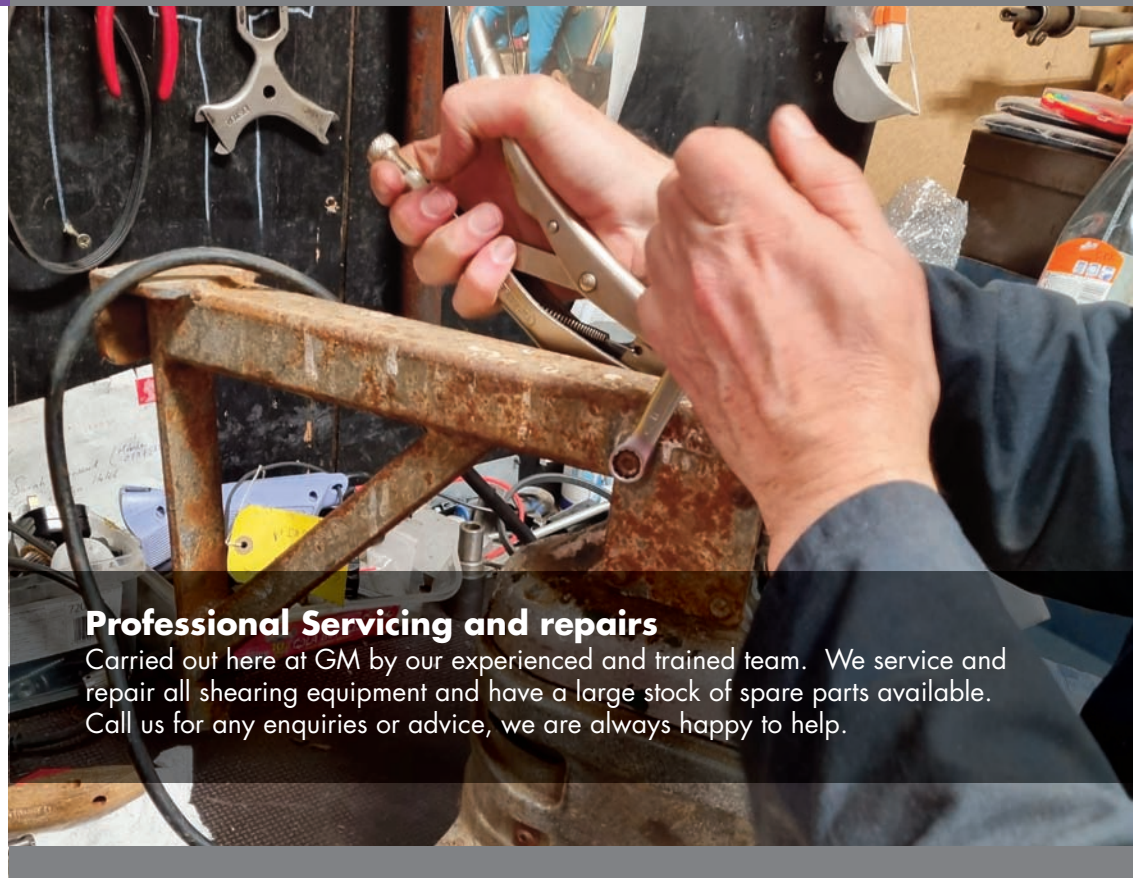
Heiniger Omega, Icon



	Lister / Supershear	Heiniger
1	Barrel	£200.00
2	Lidbush Screw	£20.00
3	Tension Lock Spring	£1.75
4	Tension Pin	£10.00
5	Sliding Sleeve	£9.00
6	Tension Nut Assembly	£25.00
7	Fulcrum Post	£9.00
8	Fulcrum Post Nut	£3.00
9	Felt Washer	£0.55
10	Comb Screw	£4.00
	Knucklesaver Screw	£4.50
11	Oil Hole Screw	£5.00
12	Oil Hole Screw Washer	£0.75
13	Crank Roller (Ball)	£13.00
14	Crank Spindle	£35.00
15	Main Bush O Ring	£2.00
16	Main Bush Assembly	£45.00
17	Main Bush Oil Seal	£0.75
18	Felt Washer/Seal	£0.50
19	Backjoint Shorthalf	£75.00
20	Cog (11 tooth)	£20.00
21	Leather Joint Guard	£8.00
22	Joint Spring (small)	£5.00
23	Joint Cap (small)	£4.50
24	Backjoint Longhalf	£70.00
25	Short Spindle Pin	£25.00
26	Pin (only)	£2.50
27	Spline Drive Spindle	£30.00
28	Wide Fork Assembly	£125.00
29	Wide Fork	£75.00
30	Prong-Right Hand	£16.50
31	Prong-Left Hand	£16.50
32	Prong Retainer	£2.00
33	Prong Retainer Screw	£1.50
34	Fulcrum Cup	£6.00
35	Tension Pin Cup	£8.00
36	Tension Pin Spring	£1.75
37	Fork Retaining Bar	£2.50
38	Oil Cap	£1.50
39	Circlip	£1.40
40	Bearing	£18.00
41	Wave Washer	£0.50
42	Gliding Bush	£18.00
43	Circlip	£1.35
44	Seal	£0.70
45	Bearing	£18.00
46	Bearing	£18.00
47	Rug	£25.00
	(see section 'Ancillary Shearing Equipment')	£7.50
48	Centre Post Gauge	£30.00
49	Cog Spanner	£30.00
50	Long/Major Repair Kit	£80.00
51	Short/Minor Repair Kit	£60.00
52	Bearing Kit	£35.00
53	Cogs (14 tooth)	£17.00
54	Spacer	£10.00
55	Joint Spring Large	£6.00
56	Joint Cap Large	£5.00
57	Spring Retainer	£8.00



41	Tube Joint Assembly	£150.00
42	Guard	£7.00
43	Spindle	£16.50
44	Screw	£1.80
45	Cog	£16.00
46	Tube Joint Bearing Pair	£100.00
47	Spindle	£16.50
60	Long Gut Assembly	£34.00
61	Wing Nut	£4.20
62	Bolt	£2.20
63	Sleeve Assembly	£20.00
64	Spring	£20.00
65	Nut	£1.60
66	Ferrule Assembly	£15.00
67	Bolt	£0.25
68	Long Tube Assembly inc. 80 & 81	£160.00
69	Ferrule	£20.00
70	Nut	£1.60
71	Short Tube Assembly	£35.00
72	Bolt Assembly	£2.15
73	Short Gut Complete	£20.00
74	Short Gut Spline Drive	£25.00
75	Bayonet Joint	£8.00
76	Solid Handpiece Ferrule Metal	£18.00
78	Short Tube Assembly inc 70.71.72	£46.00
80	Top Sleeve Assembly inc 61.62.63	£22.00
81	Ferrule Assembly inc. 64.65.66.67	£44.00
82	Hook	£10.00
GEM033	Elbow leather and spring kit for Lister solid drive	£16.00



### Professional Servicing and repairs

Carried out here at GM by our experienced and trained team. We service and repair all shearing equipment and have a large stock of spare parts available. Call us for any enquiries or advice, we are always happy to help.

### Sharpening/Grinding

#### In-house grinding service

GRI001 Combs	£1.25
GRI002 Cutters	£0.95
GRI003 Cleaning combs	£0.50
GRI004 Cleaning cutters	£0.40
GRI005 Horse/Cattle blades (Sets)	£7.50

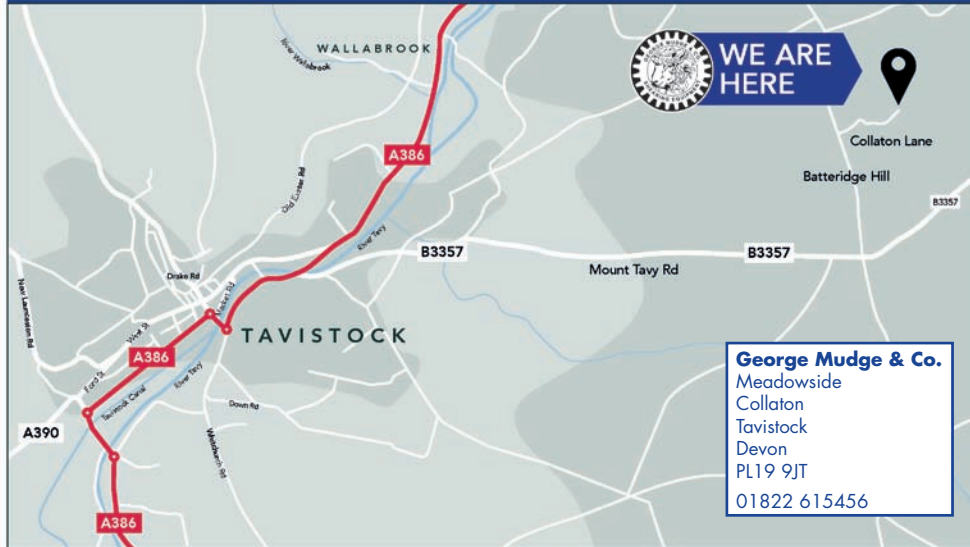


**Please ensure all combs & cutters are clean, dry and free from oil.**

Please send all items for sharpening to our address, clearly stating your name and contact details, we will call you once your items are ready:

**George Mudge & Co.** Meadowside, Collaton, Tavistock, Devon, PL19 9JT

## HOW TO FIND US



Take the **M5 to Exeter**, then the **A30 to Okehampton**. At **Okehampton Travelodge Services** take the **A386 to Tavistock**.

On the outskirts of **Tavistock** turn sharp left onto the **B3357 to Princetown**.

**Follow for 2 miles** to cross road, **turn left towards Peter Tavy**.

**Take the first turning right** at small sign to **Collaton** (No Through Road).

Follow the road to the end of the lane to the double gates and buildings, **you are here**.



## DELIVERY, PAYMENT TERMS & CONDITIONS

There is a minimum invoice charge of £10.00. We reserve the right to alter prices as shown on our price list without prior notification.

V.A.T. will be charged at the current rate in addition to all prices

**BACS Details: Account Name:** George Mudge & Co.

**Sort Code:** 60-21-49 **Account No.** 03554570

Those customers who have not previously purchased goods from us, we expect payment with order.

Next day carriage when possible. On goods of our own manufacture please ring and we will quote carriage costs on these items. Goods remain property of George Mudge & Co. until paid for in full.

### MACHINE TOOLS

We have a range of machine tools in stock.

Please ring to check what we have available.

We have a lorry and crane available for machine delivery and haulage.