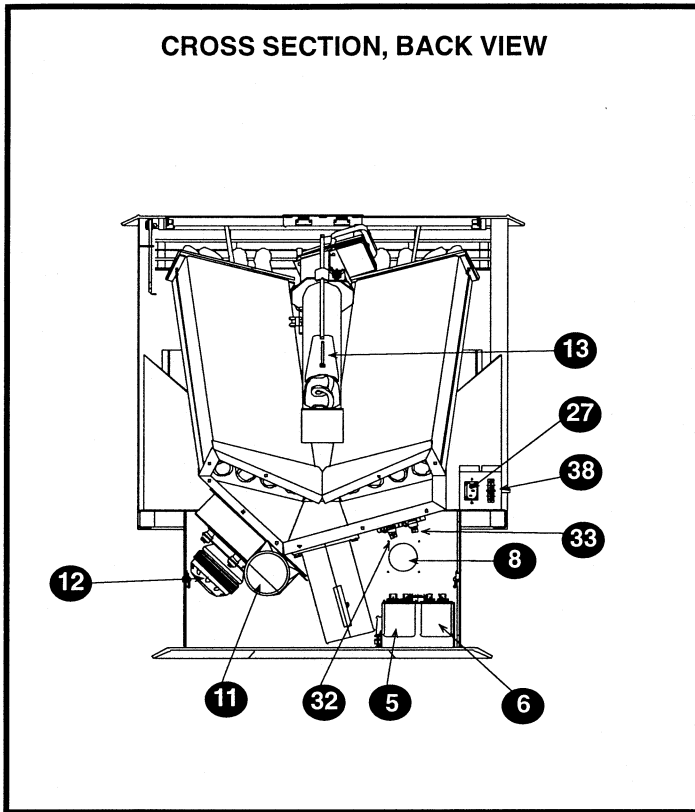
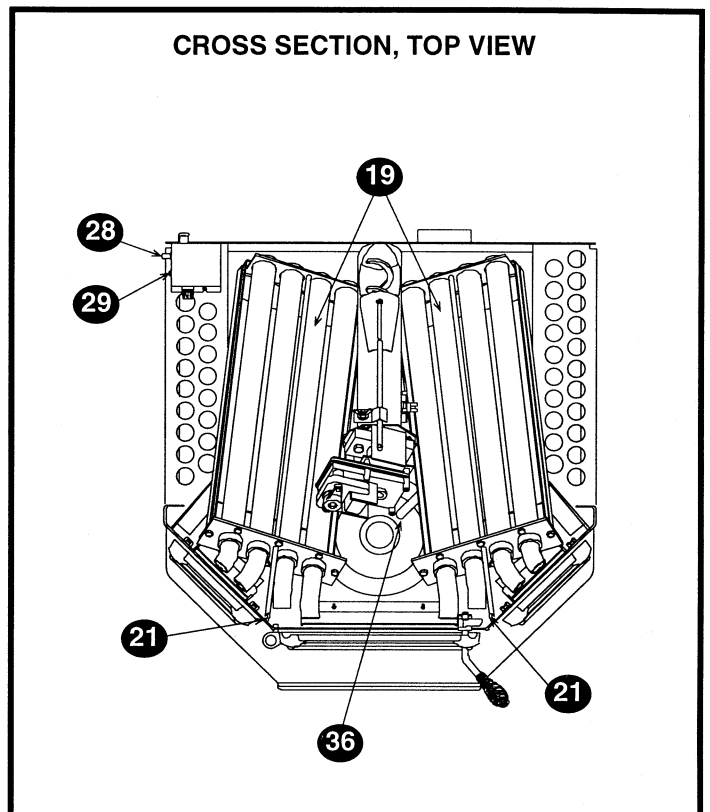


SCHEMATIC

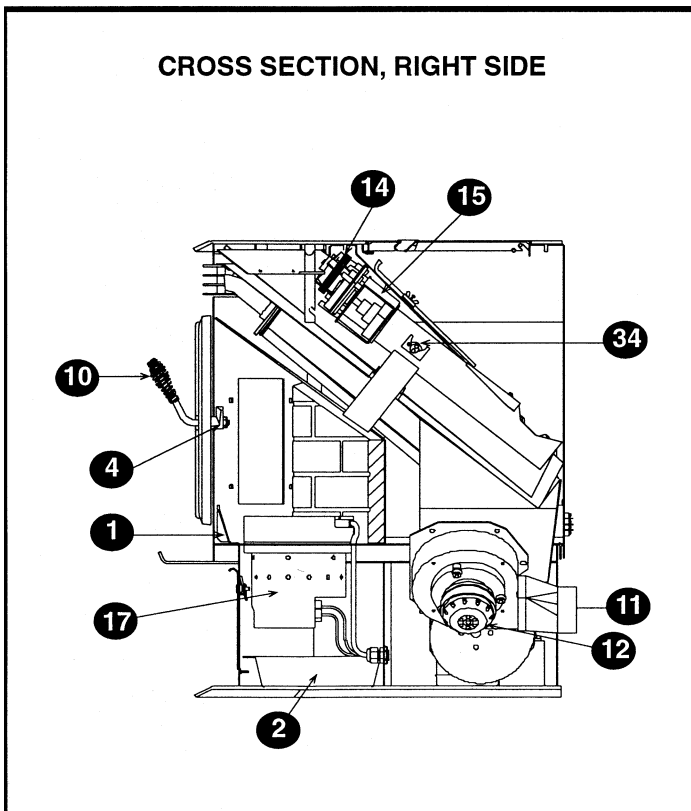
CROSS SECTION, BACK VIEW



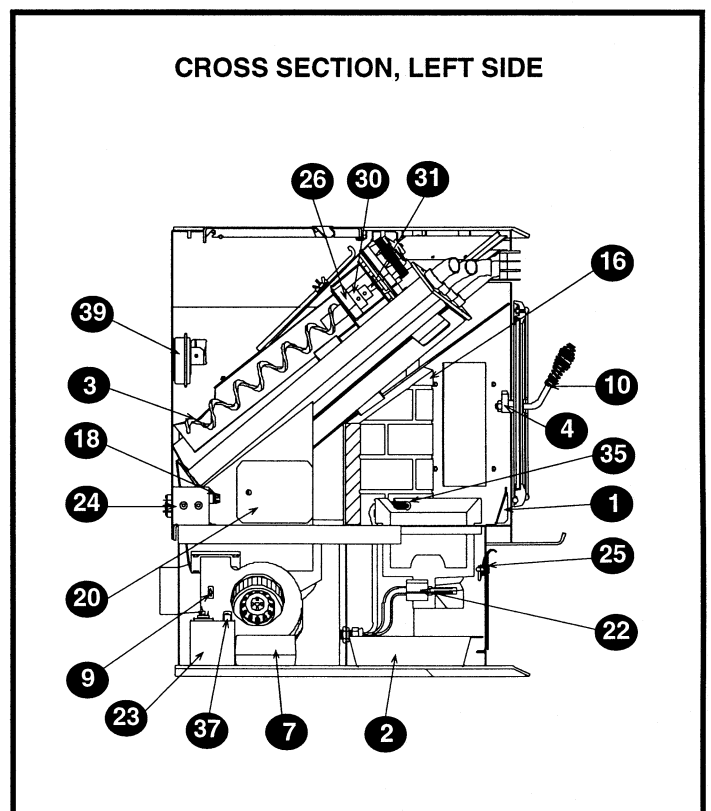
CROSS SECTION, TOP VIEW



CROSS SECTION, RIGHT SIDE



CROSS SECTION, LEFT SIDE



SCHEMATIC KEY

- | | |
|---|---|
| <p>01 AIRWASH, CENTER, SHORT</p> <p>02 ASHPAN, PEDESTAL</p> <p>03 FEED SPRING (<i>AUGER</i>)</p> <p>04 CAM LATCH, DOOR HANDLE</p> <p>05 CAPACITOR, 3 UF</p> <p>06 CAPACITOR, 4 UF</p> <p>07 CONTROL BOX</p> <p>08 COMBUSTION AIR INLET</p> <p>09 CONVECTION BLOWER, 80 CFM</p> <p>010 DOOR HANDLE AND SPRING</p> <p>011 EXHAUST AIR OUTLET</p> <p>012 EXHAUST (<i>COMBUSTION</i>) BLOWER, 80 CFM</p> <p>013 FEED ADJUSTMENT ASSEMBLY WITH ROD</p> <p>014 FEED MOTOR (<i>49 SEC</i>)</p> <p>015 FEED MOTOR MOUNT</p> <p>016 FIREBOX BRICK</p> <p>017 FIREPOT W/GASKET AND IGNITER GASKET</p> <p>018 FUSE HOLDER</p> <p>019 HEAT EXCHANGER, 4 TUBES PER SET</p> <p>020 HEAT EXCHANGER CLEANOUT DOOR</p> | <p>021 HEAT EXCHANGER CLEANOUT ROD</p> <p>022 IGNITER WITH GASKET</p> <p>023 JUNCTION BOX, LOWER</p> <p>024 JUNCTION BOX, UPPER</p> <p>025 LATCH ONLY, SPRING, ALLEN</p> <p>026 NYLON, BUSHING (<i>FEED MOTOR</i>)</p> <p>027 POWER CORD RECEPTACLE</p> <p>028 RED CALL LIGHT</p> <p>029 RESET BUTTON</p> <p>030 SET COLLAR (<i>FEED SPRING</i>)</p> <p>031 SET SCREW (<i>FEED SPRING</i>)</p> <p>032 SNAP DISK #1 (<i>CONVECTION BLOWER</i>)</p> <p>033 SNAP DISK #2 (<i>THERMOSTAT OVERRIDE</i>)</p> <p>034 SNAP DISK #3 (<i>BURN BACK PROTECTION</i>)</p> <p>035 THERMOCOUPLE</p> <p>036 THERMOCOUPLE COVER</p> <p>037 THERMOCOUPLE TERMINAL BLOCK</p> <p>038 THERMOSTAT TERMINAL BLOCK</p> <p>039 VACUUM SWITCH</p> <p>040 WIRE HARNESS (<i>SEE ELECTRICAL SCHEMATIC BELOW</i>)</p> |
|---|---|

ELECTRICAL SCHEMATIC

WIRING SCHEMATIC

