

REPLACEMENTS

Contact your dealer for questions concerning prices and availability of replacement parts. Normally all parts can be ordered through your Napoleon® dealer or distributor.

When ordering replacement parts always give the following information:

1. Model and Serial Number of the fireplace
2. Installation Date of the fireplace
3. Part Number
4. Description of part
5. Finish

For warranty replacement parts, a photocopy of the original invoice will be required.

* Identifies items which are not illustrated. For further information, contact your Napoleon® dealer.

COMMON COMPONENTS TO BOTH UNITS

#	PART NO.	DESCRIPTION
1	W660-0052	LOW LIMIT SWITCH 140°F (80°C)
2	W660-0053	OVER-RIDE SWITCH 160°F (71°C)
3	W660-0054	IGNITION SWITCH 120°F (60°C)
4	W660-0055	HIGH LIMIT SWITCH 200°F (93°C)
5	W660-0056	VACUUM SWITCH
6	W380-0020	CONTROL KNOB
7*	W195-0004	POWER CORD
8	W435-0009	AUGER MOTOR
9	W062-0021	CONVECTION BLOWER
10	W062-0022	COMBUSTION BLOWER
11	W290-0111	COMBUSTION BLOWER MOUNTING GASKET
12	W290-0120	COMBUSTION BLOWER MOTOR MOUNTING GASKET
13	W290-0113	CONVECTION BLOWER GASKET
14*	W255-0020	PRESSURE FITTING TAP
15	W570-0107	AUGER SCREW
16	W390-0002	DOOR LATCH
17	W190-0019	POWER CONTROL
18	W190-0020	AUGER CONTROL
19	W405-0001	AMBER LIGHT
20	W660-0058	POWER SWITCH
21	W660-0063	PELLET FEED SWITCH
22	W660-0062	VARIABLE SPEED W/O PAL NUT SWITCH
23	W555-0061	SCRAPER ROD
24	W105-0012	NYLON BUSHING
25	W570-0110	SCREW SET
26*	W750-0163	HARNESS WIRE
27*	W385-0334	NAPOLEON® LOGO
28	W010-1528	CONTROL DOOR
29	W475-0555	BOTTOM OI PANEL
30	W720-0089	IGNITOR HOUSING
31	W390-0012	CONTROL PANEL LATCH
32	W010-1490	EXHAUST TUBE
33	W357-0004	IGNITOR
34*	W325-0042	SMALL BLACK WIRE HANDLE
35	W350-0361	CONTROL HOUSING
36	W615-0073	AIR CONTROL SPACER
37	W080-0777	MOTOR BRACKET
38	W010-1491	COMBUSTION AIR TUBE ASSEMBLY
39	W030-0022	ACCENT BAR (2)
40	W135-0320	CAST, BURN POT
41	W135-0321	CAST, RING
42	W430-0002	MAGNETIC DOOR CATCH ASSEMBLY (2)
43*	W290-0120	MOTOR MOUNTING GASKET
44	W290-0119	IGNITION GASKET
45	W460-0004	RECEPTACLE
46*	W615-0078	SPACER, LATCH
47	W300-0038	GLASS, FRONT
48	W300-0037	GLASS, SIDE
49*	W562-0022	GLASS GASKET
50	W290-0122	EXHAUST GASKET
51	W010-1612	EXHAUST COLLAR

PART NO. DESCRIPTION

52	W010-0219	EXHAUST COVER
53	W290-0122	EXHAUST GASKET
54	W010-1673	RIGHT LOUVRE ASSEMBLY
55	W010-1685	LEFT LOUVRE ASSEMBLY
56	W010-1567	AIR CONTROL

NPS40 COMPONENTS

57	W010-1508	WELDED TOP ASSEMBLY
58	W010-1527	SIDE DOOR ASSEMBLY
59	W010-1529	HOPPER DOOR ASSEMBLY
60	W010-1667	ASH PAN ASSEMBLY
61	W010-1668	PEDESTAL SIDE DOOR ASSEMBLY
62	W035-0191	PEDESTAL BASE
63*	W555-0059	AIR CONTROL ROD
64	W475-0482	OUTER REAR PANEL
65	W475-0484	OUTER PANEL, RIGHT
66	W475-0485	OUTER PANEL, LEFT
67	W652-0040	PEDESTAL GASKET

NPI40 COMPONENTS

68	W010-1670	SIDE DOOR ASSEMBLY
69	W010-1671	WELDED HOPPER LID ASSEMBLY
70	W555-0069	AIR CONTROL ROD

COMMON ACCESSORIES

71	W225-0195	DOOR FRAME, BLACK
71	W225-0195G	DOOR FRAME, GOLD
71	W225-0195SC	DOOR FRAME, SATIN CHROME
72	GS200-G	TRIVET
72	GS200-SS	TRIVET
73	PRPP40	PORCELAIN REFLECTIVE RADIANT PANELS
74*	114KT	OUTSIDE AIR KIT - 5 FT (2" DIA.)
75	NP841KT	BRICK, REFRACTORY
76	NPL41	DECORATIVE LOG SET

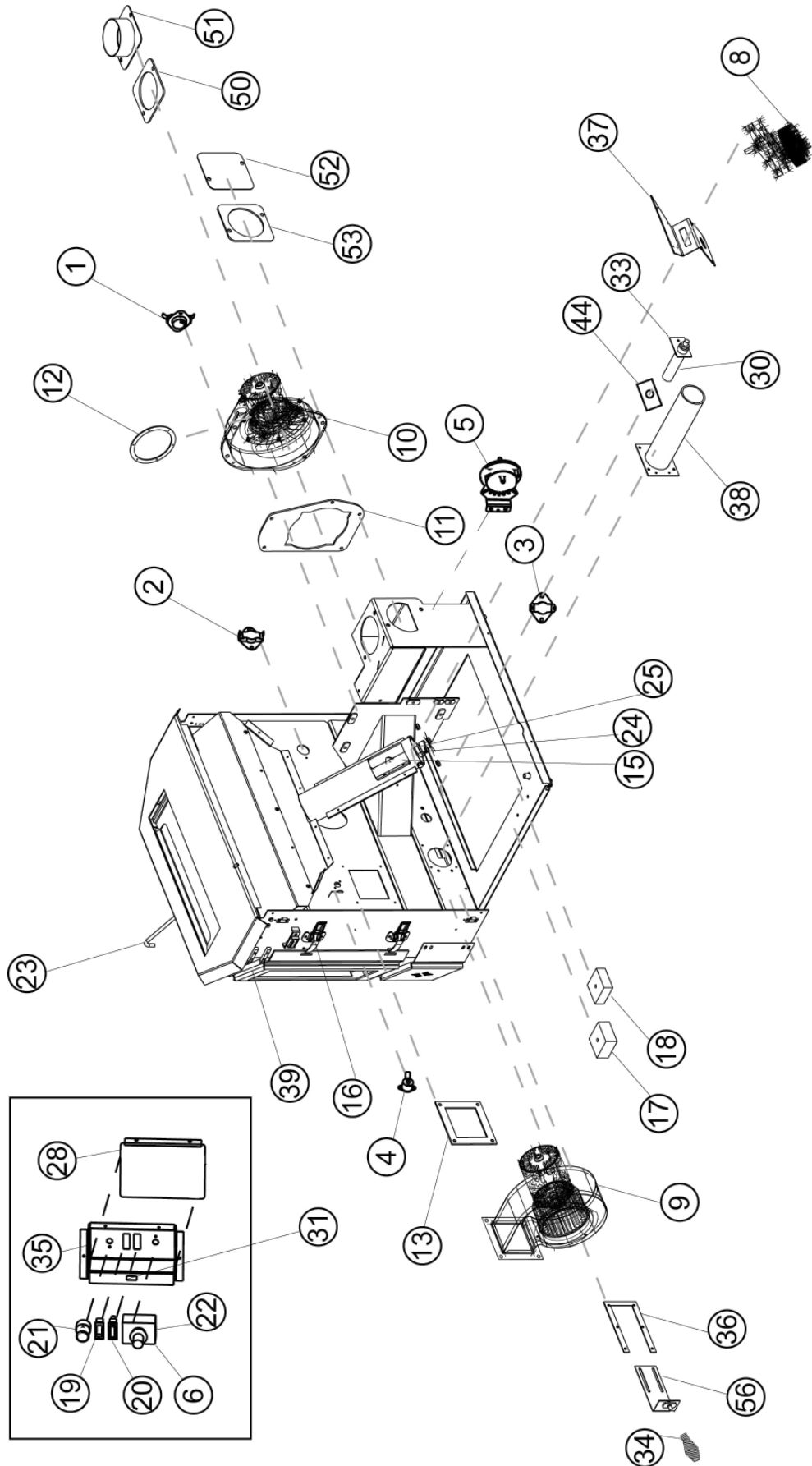
NPS40 ACCESSORIES

77*	NPHE-40	HOPPER EXTENSION (INCREASES HOPPER CAPACITY FROM 55 LBS TO 100 LBS PELLETS)
-----	---------	---

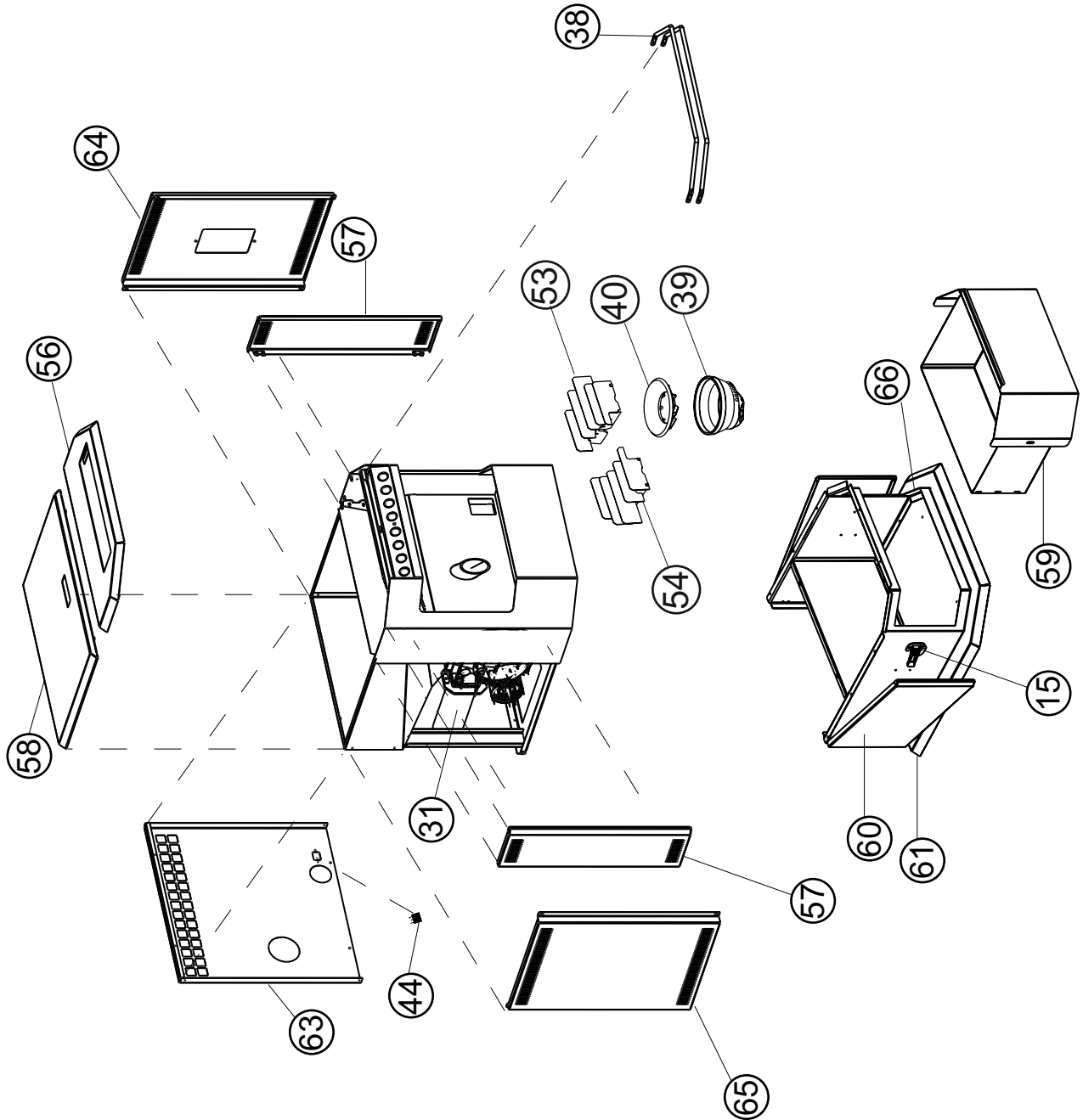
NPI40 ACCESSORIES

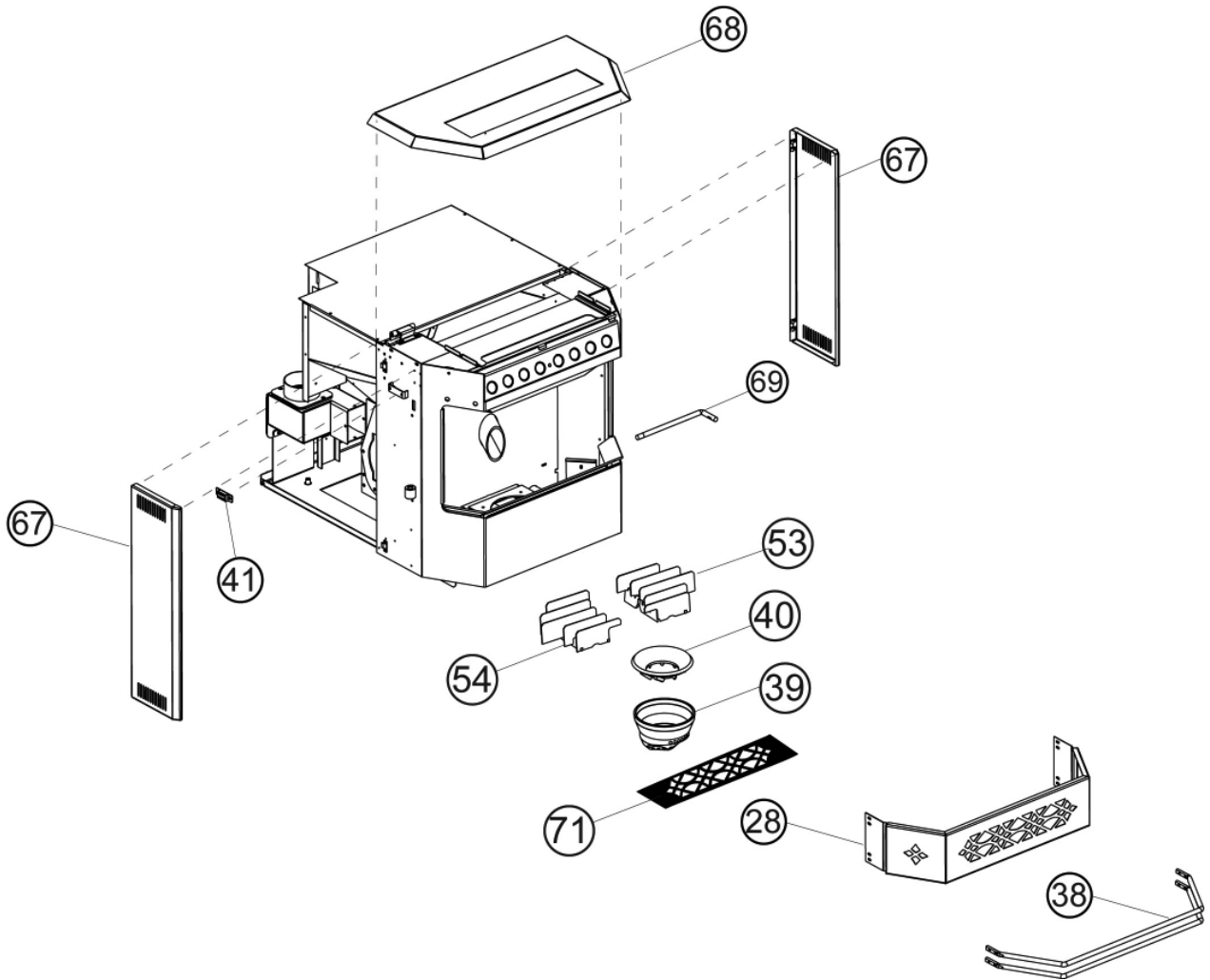
78	NI800	8" BLACK FLASHING WITH BLACK TRIM
79*	GICSK	ARCHED CAST IRON SURROUND
80	AK8	ADAPTOR KIT (REQ'D FOR GICSK)
81*	CISK	CAST IRON SURROUND KIT - BLACK
81*	CISKK	CAST IRON SURROUND KIT - ENAMEL BLACK
81*	CISKN	CAST IRON SURROUND KIT - MOJOLICA BROWN
81*	CISKB	CAST IRON SURROUND KIT - MOJOLICA BLUE
81*	CISKF	CAST IRON SURROUND KIT - MOJOLICA GREEN
82*	AK9	ADAPTOR KIT (REQ'D FOR CISK)

COMMON REPLACEMENTS PARTS

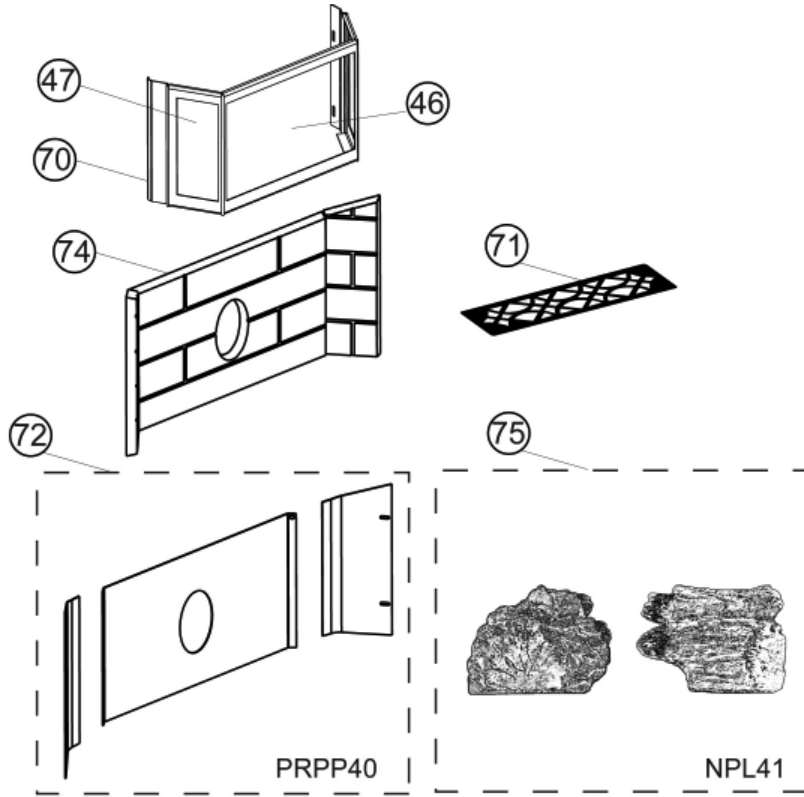


NPS40 REPLACEMENTS PARTS



NPI40 REPLACEMENTS PARTS

COMMON ACCESSORY PARTS



NPI40 ACCESSORY PARTS

