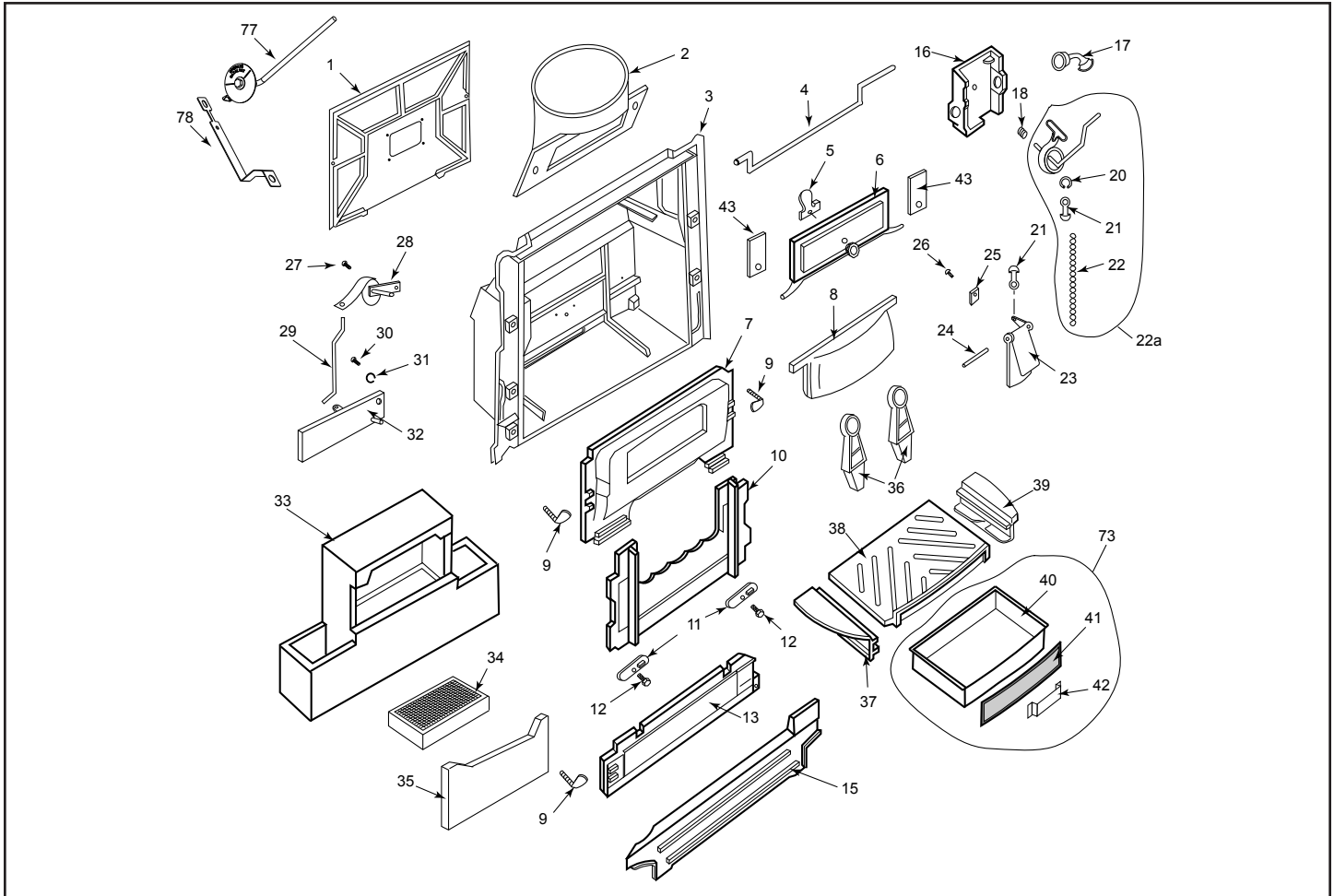


Intrepid® II Wood Burning Stove Model 1990 Replacement Parts

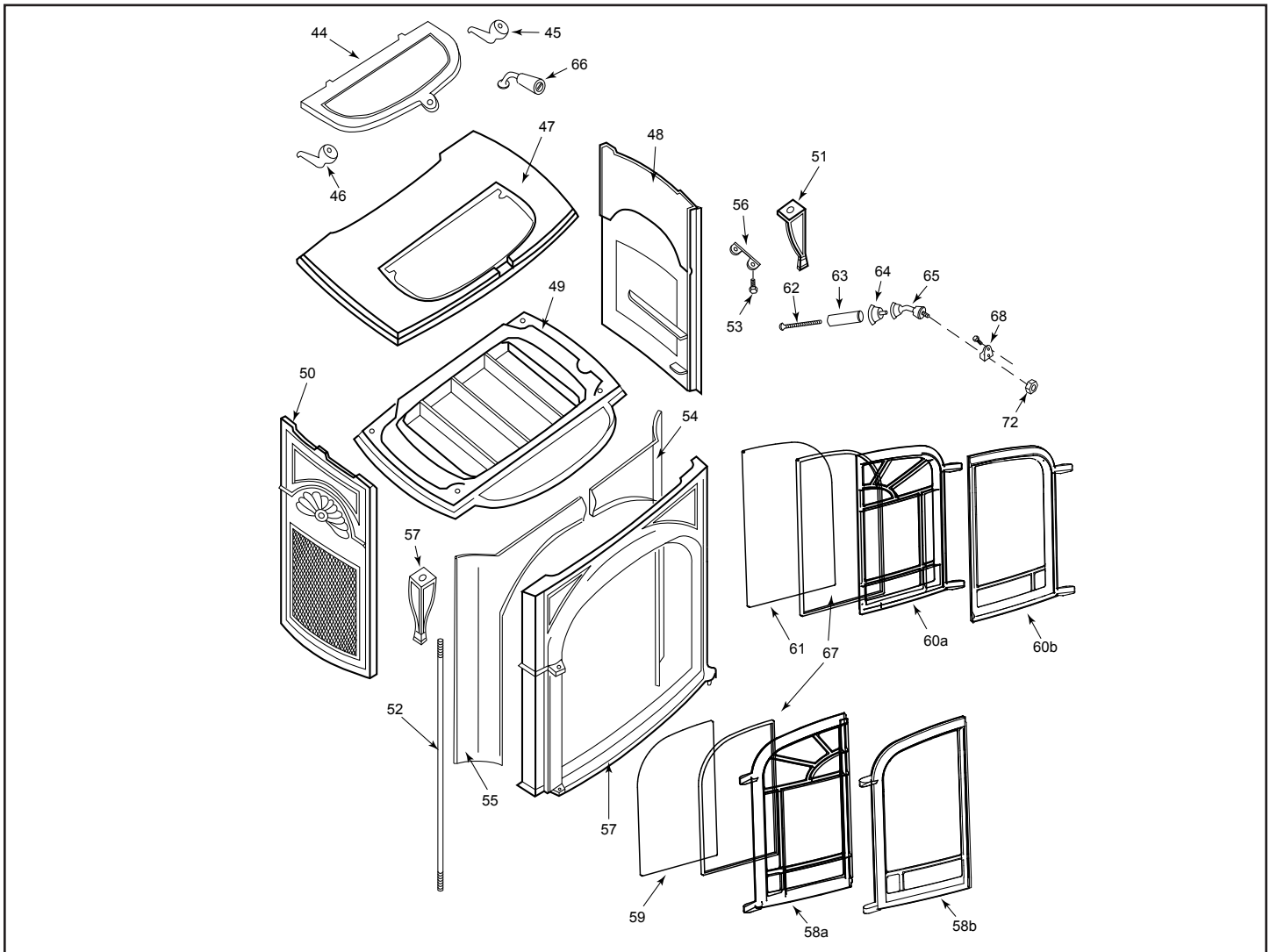


Vermont Castings reserves the right to make changes in design, materials, specifications, prices and discontinue colors and products at any time, without notice.

	Item Description	Part number
1.	Secondary Air Cover	1306762
2.	Flue Collar	See Chart Pg. 37
3.	Back Panel	1308662
4.	Damper Rod	1602523
5.	Damper Clip	1306725
6.	Damper	1306701
7.	Damper Housing	1306702
8.	Throat Hood	1306763
9.	Weld Screw	1201583
10.	Upper Fireback	1306703
11.	Firebrick Clamp	1306724
12.	3/8"-16 x 1-1/2" Hex Bolt	1201456
13.	Lower Fireback	1306704
15.	Rear Air Tube	1308658
16.	Thermostat Cover	1306711
17.	Damper Handle Assembly	5004265
18.	Friction Spring	1201846

	Item Description	Part number
20.	Thermostat Clip	1601408
21.	Ball Chain Fitting (2)	1201972
22.	Ball Chain	1201960
22a.	Thermostat Assembly	5005506
23.	Primary Air Flap	1306710
24.	Air Flap Pin	1601551
25.	Clip	1601396
26.	#10-24 x 3/8" Pan Head Bolt	1200983
27.	#10-24 x 1/4" Pan Head Bolt	1200980
28.	Secondary Probe Assembly	1601489
29.	Secondary Air Link	1601486
30.	Phillips Bolt, 1/4"-20 x 5/8"	1200896
31.	Shim Ring	1201986
32.	Secondary Air Flap	1601490
33.	Refractory Chamber w/ Access Panel	1602527
34.	Ceramic Catalyst	30001153
35.	Refractory Access Panel	1602516

Intrepid® II Wood Burning Stove Model 1990 Replacement Parts (continued)



Vermont Castings reserves the right to make changes in design, materials, specifications, prices and discontinue colors and products at any time, without notice.

	Item Description	Part number
36.	Andiron	1306717
37.	Left Insert	1308651
38.	Grate	1308652
39.	Right Insert	1308650
40.	Ashpan Only	1400951
41.	Ashpan Front Only	1306493
42.	Ashpan Handle	30000973
43.	Damper Tab	1601488
44.	Griddle	1306356
45.	Right Griddle Quad (Pre-2010)	1301832
45a.	Right Griddle Quad	30005119
46.	Left Griddle Quad (Pre-2010)	1301807
46a.	Left Griddle Quad	30005118
47.	Top	See Chart Pg. 37
48.	Right Side	See Chart Pg. 37
49.	Bottom	See Chart Pg. 37
50.	Left Side	See Chart Pg. 37

	Item Description	Part number
51.	Leg	See Chart Pg. 37
52.	Tie Rod	1601640
53.	Leg Bolt, 3/8"-16 x 1" Hex Bolt	1201432
54.	Right Air Manifold	1308654
55.	Left Air Manifold	1308653
56.	Handle Holder	1600600
57.	Front	See Chart Pg. 37
58a.	Left Door	See Chart Pg. 37
58b.	Left Door	See Chart Pg. 37
59.	Left Glass Panel ¹	1401157
60a.	Right Door	See Chart Pg. 37
60b.	Right Door	See Chart Pg. 37
61.	Right Glass Panel ¹	1401156
62.	Handle Bolt, 1/4"-20 x 3Z	1201310
63.	Handle Wood	1600664
64.	Handle Insert	30002714
65.	Front Door Handle	30002719

Intrepid® II Wood Burning Stove Model 1990 Replacement Parts (continued)

	Item Description	Part number
66.	Griddle Handle Assembly	30002775
67.	Gasket, Fiberglas 3/16" Rnd, Blk	1203556
68.	Latch Assembly	30002362
69.	Glass Clips, Bottom	30000832
70.	Glass Clips, Side	30000833
71.	Glass Clips, Top	30000834
72.	Nut, Jam	1203290
73.	Ash Pan Assembly	5003522
74.	Bottom Heat Shield Assy. (Not Shown)	30004020
75.	C-Clip (Not Shown)	1204015
76.	Wing Screw (Not Shown)	1201621
77.	Temperature Probe	30007275
78.	Bracket, Temperature Probe	30007279

NOTES:

1. The glass panels have a heat-reflective coating on the outside and are not interchangeable.

Intrepid® II Wood Burning Stove Model 1990 Replacement Parts (continued)

SHELL ENAMEL PARTS: INTREPID® II MODEL 1990									
Enamel Color	Top	Bottom	Left Side	Right Side	Flue Collar	Front	Left Door Only (58a)	Right Door Only (60a)	Single Leg
Classic	1308657	1306764	1308656	1308655	1306561	30006977	30006915	30006914	1306333
Biscuit	30003180	30003174	30003176	30003175	30003181	30006987	30006983	30006982	30003182
Bordeaux	30006712	30006708	30006710	30006709	30006713	30006986	30006981	30006980	30006716
Majolica Brown	30004824	30004820	30004822	30004821	30004825	30006988	30006985	30006984	30004830

TRANSITION DOOR ENAMEL PARTS: INTREPID® II MODEL 1990		
Enamel Color	Left Door (58b)	Right Door (60b)
Classic Black	30007099	30007098
Biscuit	30007101	30007100
Bordeaux	30007105	30007104
Majolica Brown	30007103	30007102