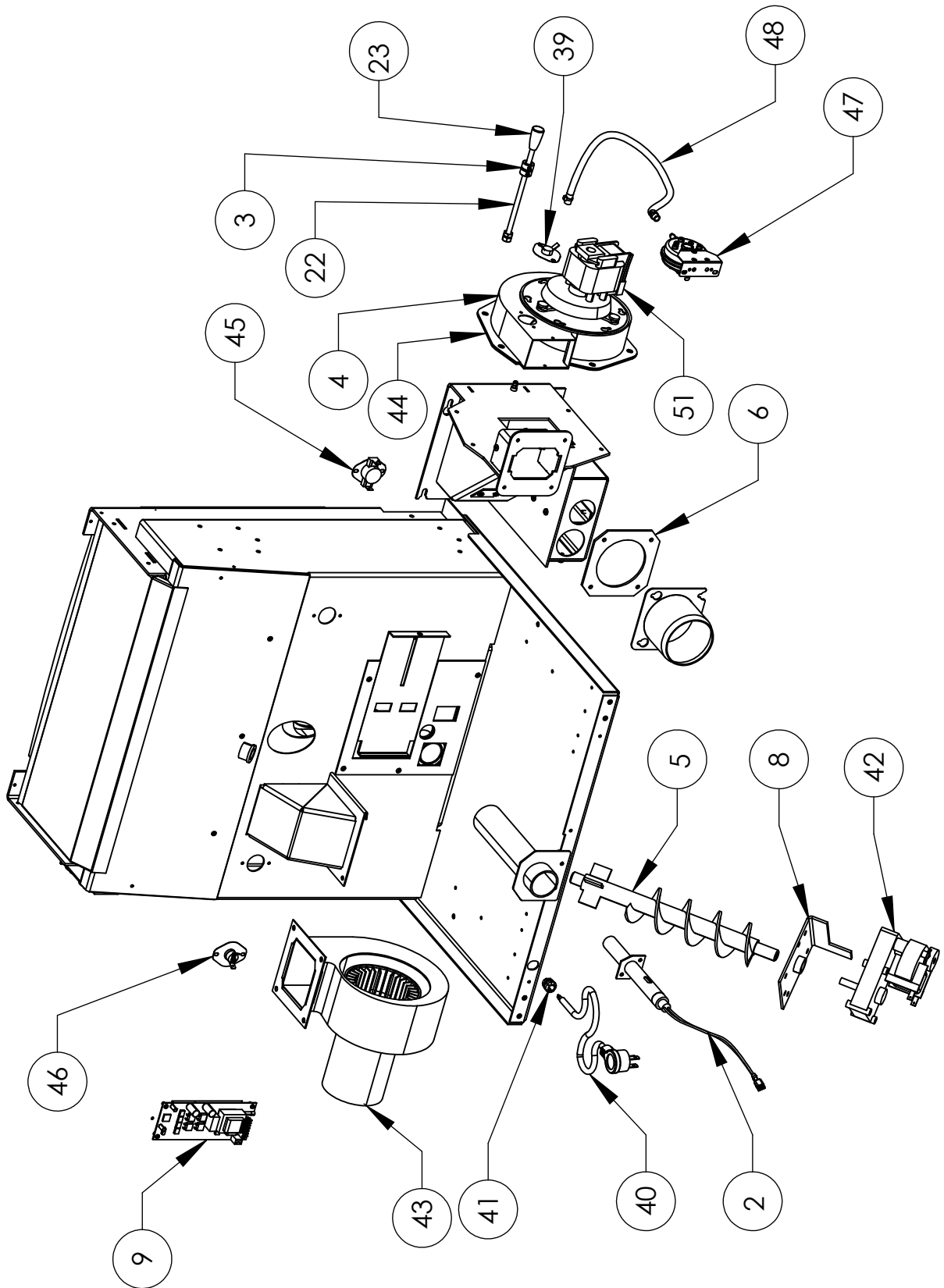


PARTS DIAGRAM - ELECTRICAL



PARTS LIST

ITEM NO.	PartNo	DESCRIPTION
OPTION	20-036	EF2/3/4/SOLUS/HUDSON RIVER LOG SET (ONE PIECE)
	50-554	MAGNAHELIC GAUGE & KIT
1	50-587	BURN POT LINER HIGH ASH
	50-754	PELLET/GAS MECH & ELEC FASTENER BAG
	50-968	5/8" ID AUGER COLLAR (WITH SCREW)
2	50-1067	IGNITOR 300W
3	50-1068	SLIDER DAMPER SET COLLAR KIT
4	50-1107	FORMED EXHAUST BLOWER HOUSING
	50-1254	BURN POT SCRAPER TOOL
5	50-1346	AUGER
	50-1380	MANUAL BAG - INCLUDING BOLTS AND SCREWS (SPECIFY UNIT)
	50-1410	AUGER TUBE COVER
6	50-1448	EXHAUST STARTER TUBE GASKET
7	50-1730	ASH PAN LATCH (SCREWDRIVER TYPE)
8	50-1780	AUGER BRASS BUSHING AND PLATE
	50-1806	5/8" ID AUGER BRASS BUSHINGS (SET OF 2)
9	50-1929	CIRCUIT BOARD
	50-1971	PELLET THERMOSTAT
10	50-2326	FPI HOPPER LID
	50-2329	GLASS RETAINER
11	50-2335	TUBE SCRAPER ROD
12	50-2336	BRICK LINER
	50-2337	CONTROL PANEL CW DECAL
13	50-2342	FIREBOX LINER CW INSULATION
14	50-2588	FS PELLETS & FS WOODSTOVE SS QUAD LATCH
	50-2760	BACK GRILL
	50-2820	CHATHAM OWNERS TECHNICAL MANUAL
15	50-2821	CHATHAM FS HOPPER LID (OLD SERIALIZED PART MUST BE RETURNED)
16	50-2822	FS ASH PAN WITH LATCH
17	50-2823	CHATHAM FS CABINET SIDE LEFT
18	50-2824	CHATHAM FS CABINET SIDE RIGHT
19	50-2825	CHATHAM FPI HOPPER COVER (OLD SERIALIZED PART MUST BE RETURNED)
20	50-2826	CHATHAM DOOR ASSEMBLY COMPLETE
21	50-2827	CHATHAM DOOR HANDLE
22	50-2828	SLIDER DAMPER ROD W KNOB
23	50-2829	SLIDER ROD KNOB
24	50-2830	FS CAST TOP (SPECIFY COLOR)
25	50-2831	FS CAST LEFT SIDE (SPECIFY COLOR)
26	50-2832	FS CAST RIGHT SIDE (SPECIFY COLOR)
27	50-2833	FS CAST ASH SHELF (SPECIFY COLOR)
28	50-2834	FS CAST LEG (SPECIFY COLOR)
29	50-2835	CAST FRONT (SPECIFY COLOR)
30	50-2836	CAST LIP (SPECIFY COLOR)
31	50-2837	FPI CAST TOP (SPECIFY COLOR)
32	50-2838	FPI CAST LEFT SIDE (SPECIFY COLOR)
33	50-2839	FPI CAST RIGHT SIDE (SPECIFY COLOR)
34	50-2840	CAST SURROUND LEFT (SPECIFY COLOR)

PARTS LIST

35	50-2841	CAST SURROUND RIGHT (SPECIFY COLOR)
36	50-2842	CAST SURROUND TOP-LEFT (SPECIFY COLOR)
37	50-2843	CAST SURROUND TOP-RIGHT (SPECIFY COLOR)
38	50-2844	CAST SURROUND KEYSTONE (SPECIFY COLOR)
39	EC-001	120F (49C) Ceramic Fan Temperature Sensor
40	EC-042	DOMESTIC POWER CORD 115V
41	EC-044	HEYCO STRAIN RELIEF
	EC-058	WINDOW CHANNEL TAPE- 72IN
42	EF-001	AUGER MOTOR 1 RPM
43	EF-002	CONVECTION BLOWER 115V
	EF-004	CONVECTION BLOWER IMPELLER
	EF-006	CONVECTION BLOWER INSULATOR (GASKET)
	EF-008	COMBUSTION MAIN IMPELLER 1" x 4 1/2"
44	EF-011	COMBUSTION BLOWER MOUNTING GASKET
	EF-012	COMBUSTION BLOWER HOUSING GASKET (CIRCULAR)
45	EF-013	TEMPERATURE SENSOR 160F
46	EF-016	HIGH LIMIT TEMP SENSOR 200F MANUAL RESET
47	EF-017	VACUUM SWITCH
48	EF-018	SILICONE HOSE (RED)
	EF-019	ALUMINUM HOSE BARB
	EF-021	IGNITION BURN POT
	EF-057	.5IN ROUND DOOR GASKET (6FT)
	EF-061	GLASS WITH TAPE (13 X 9)
49	EF-105	FPI ASH PAN DRAWER WITH LATCH
50	EF-126	FIREBOX CERAMIC WOOL INSULATION
	EF-156	PELLET STOVE CLEANING BRUSH
51	EF-161A	COMBUSTION BLOWER MOTOR WITH IMPELLER ONLY
52	EF-194A	FIREBOX CLEANING PORT COVERS -PD
	EF-208	PEDESTAL & ASH PAN GASKET - 10'