

Clean all the fingerprints and oils from plated surfaces **BEFORE** firing the appliance for the first time. If not cleaned properly before lighting your first fire, the oils can cause permanent markings on the plating.

After the plating is cured, the oils will not affect the finish and little maintenance is required. Wipe clean as needed.

6. Inspect Firebrick



- **Frequency:** After each ash removal
- **By:** Homeowner

Replace the firebrick if they become crumbly and/or if there is a 1/4 inch (6.35mm) gap between the bricks.

The firebox is lined with firebrick, which has exceptional insulating properties. Do not use a grate; simply build a fire on the firebox floor. Do not operate appliance without firebrick.

1. After the coals have completely cooled, remove all old brick and ash from unit and vacuum firebox.
2. Remove new brick set from box and lay out to the diagram shown in the instructions that come with the brick set or refer to the diagram on the service parts list at the end of this manual.
3. Lay bottom bricks in unit.
4. Install rear bricks on the top of the bottom bricks. Slide top of bricks under clip on back of firebox wall and push bottom of bricks back.
5. Install side bricks. Slide top of brick under clips on side of firebox and push the bottom of the brick until it is flush with the side of the unit.

D. Correct Baffle & Blanket Placement

	WARNING
	<p>Fire Risk. Firebox damage due to improper baffle placement is not covered by warranty. Operate the wood burning appliance with the baffle in the correct position only.</p> <p><u>Not doing so could result in:</u></p> <ul style="list-style-type: none"> • Reduced efficiency • Overheating the chimney • Overheating the rear of the firebox • Poor performance <p>Ensure correct baffle placement and replace baffle components if damaged or missing.</p>

	CAUTION
<p>The baffle boards are FRAGILE. Use extreme caution when loading firewood to prevent:</p> <ul style="list-style-type: none"> • Cracking, breaking or damaging the baffle boards <p>DO NOT operate the appliance without baffle boards</p>	

NOTE: A missing, damaged or improperly positioned baffle is dangerous and may cause damage and poor efficiency. It will also void your warranty.

NOTE: These are generic drawings and may not represent your specific model.

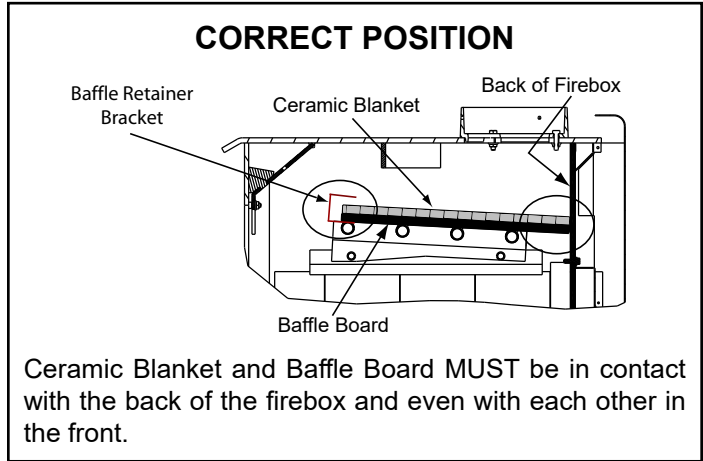


Figure 19.1 - Correct Baffle and Blanket Positions

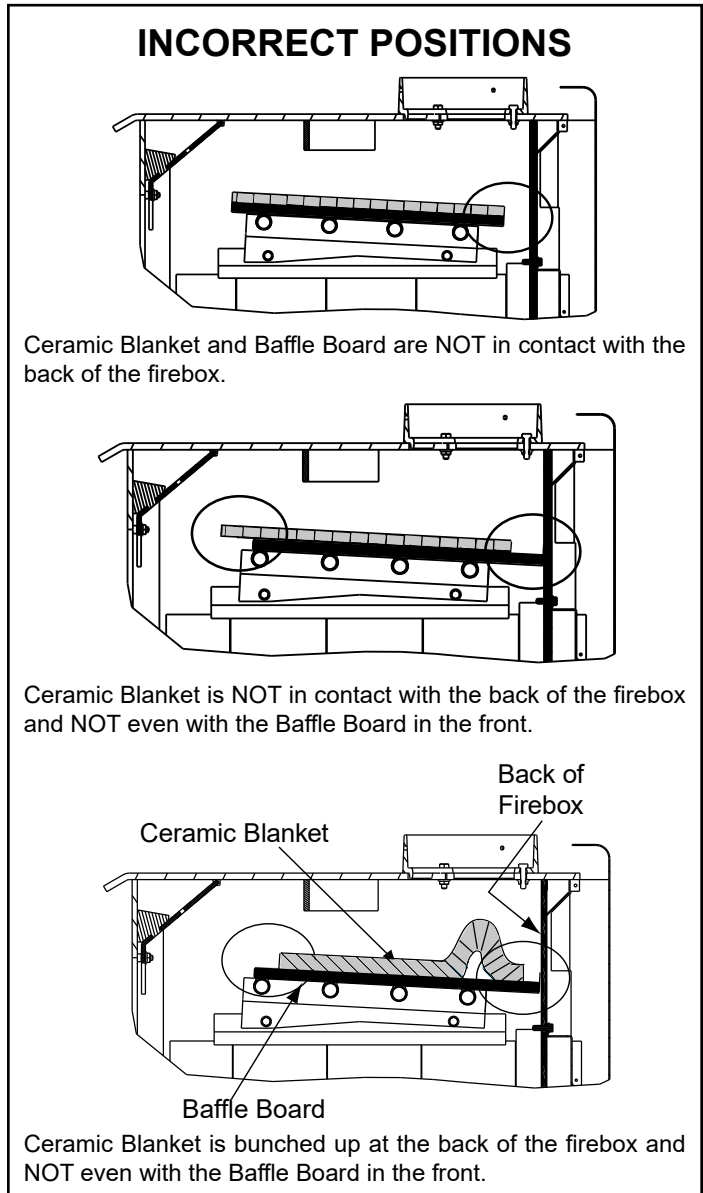


Figure 19.2 - Incorrect Baffle and Blanket Positions