

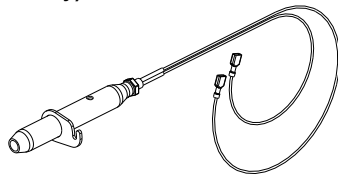
## INSTALLATION INSTRUCTIONS FOR FASTFIRE® IGNITERS FOR USE WITH MODEL MONTAGE™ 32FS PELLETT STOVES

### KIT CONTENTS (for igniter assembly)

- 1 ea. Igniter Assembly
- 1 ea. Instruction Sheet

### TOOLS REQUIRED

- 5/32" Allen Wrench
- 1/4" Nut Driver or Wrench

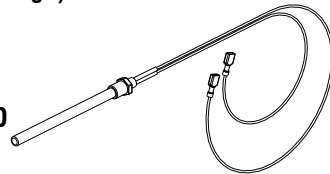


### KIT CONTENTS (for igniter cartridge)

- 1 ea. Igniter Cartridge
- 1 ea. Instruction Sheet

### ADDITIONAL TOOLS REQUIRED

- 5/8" Wrench
- Anti-Seize Lubricant



### GENERAL INFORMATION

If you encounter any problems, need clarification of these instructions or are not qualified to properly install this kit, contact your local distributor or dealer.

Read this instruction sheet in its entirety before beginning the installation.

**ALL WARNINGS AND PRECAUTIONS IN THE INSTALLATION AND OPERATION MANUAL PROVIDED WITH THE APPLIANCE APPLY TO THESE INSTRUCTIONS.**

**TURN OFF THE STOVE AND ALLOW IT TO COMPLETELY COOL BEFORE PROCEEDING.**

### INSTALLATION INSTRUCTIONS

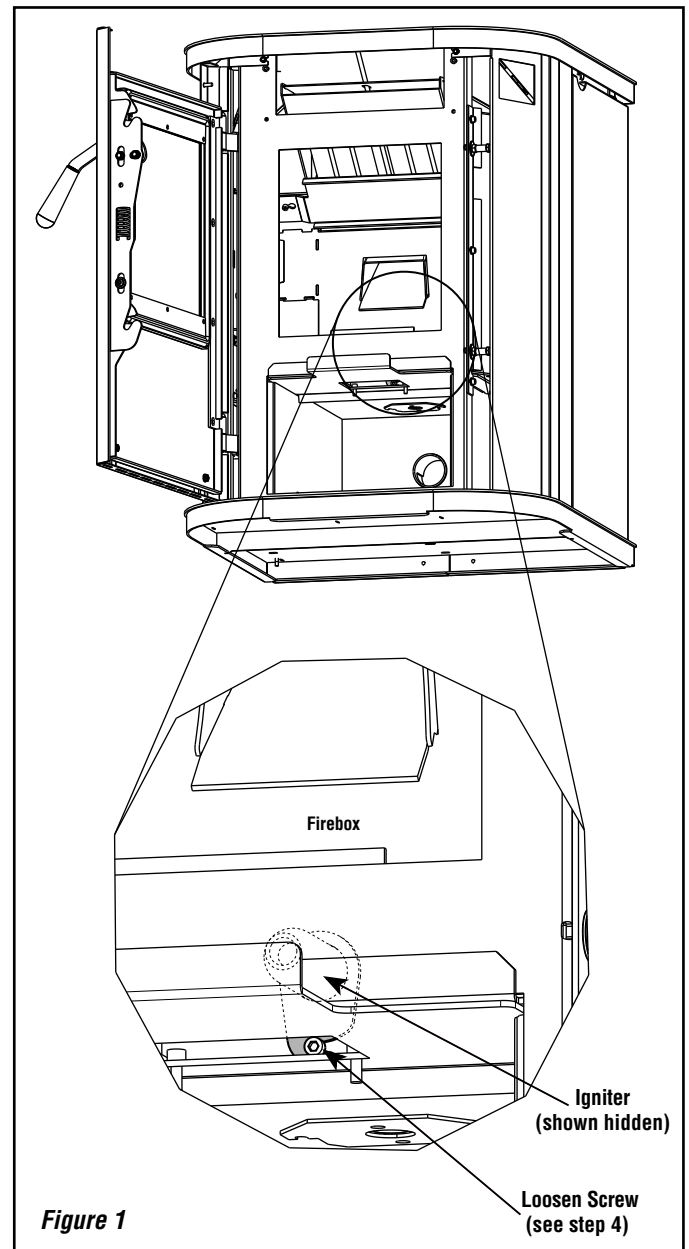
#### Step 1. UNPLUG STOVE.

**Step 2.** Using a 1/4" nut driver or wrench, loosen the four screws holding the back cover on and remove it through keyhole slots.

**Step 3.** From the back of the stove, locate the igniter wires coming from the area near the back of the firebox and unplug them from the main harness.

**Step 4.** Open front door and remove UltraGrate™ and ash pan.

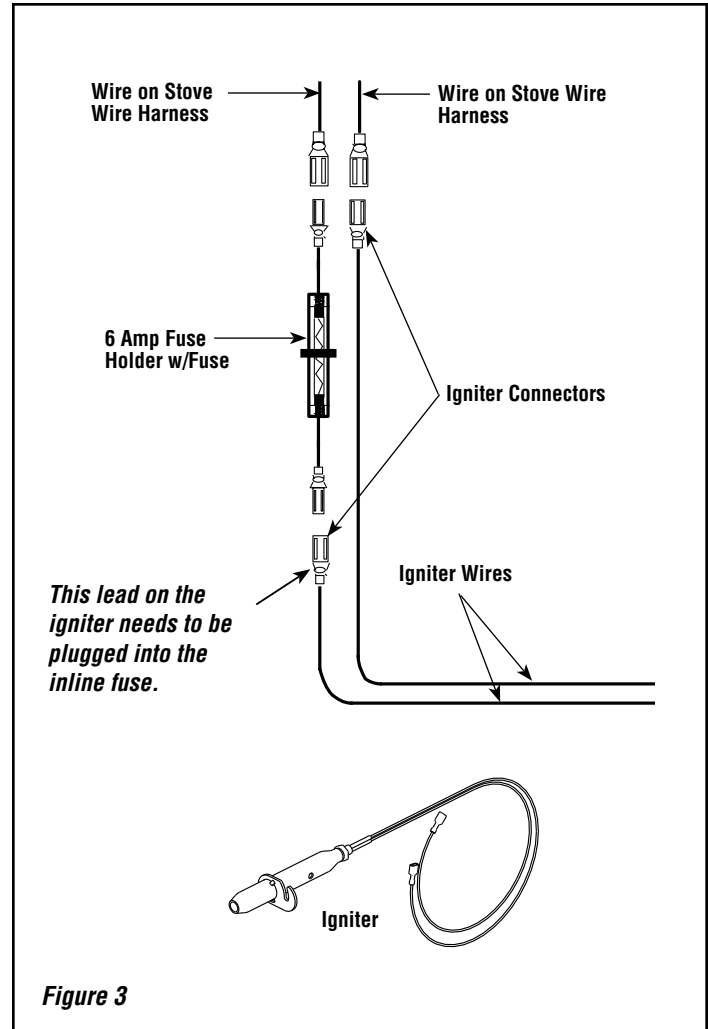
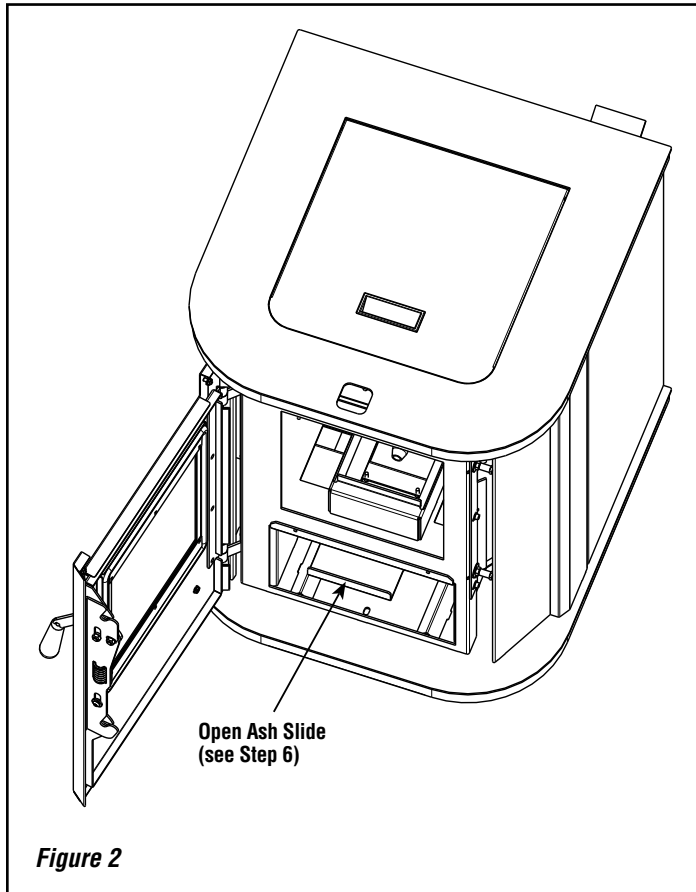
**Step 5.** Using a 5/32" allen wrench, loosen the screw inside of UltraGrate cradle on firebox back that holds igniter in place (see **Figure 1**). It does not need to be completely removed.



**Figure 1**

- Step 6.** Open ash slide plate about 1-3/4" to increase the opening inside the firebox underneath the UltraGrate™. See **Figure 2**.
- Step 7.** Rotate igniter assembly clockwise until mounting flange clears screw head.
- Step 8.** Remove igniter assembly through the opening in the bottom of the firebox and out the ash pan opening.
- Step 9.** Install the replacement igniter by reversing steps 4 through 7. Connect the wires as shown in **Figure 3**.

**NOTE:** When routing wires, ensure they are not in contact with any of the components in the rear of the stove (i.e. blowers, auger motor, etc.).



NOTE: DIAGRAMS & ILLUSTRATIONS ARE NOT TO SCALE.

IHP reserves the right to make changes at any time, without notice, in design, materials, specifications, prices and the discontinuance of colors, styles and products. Consult your local distributor for fireplace code information.

