

INSTALLATION INSTRUCTIONS

FBB10-1 BLOWER

FOR USE ON: DVC(C,P)(32,36,42)BP - (SEE PAGE 1) AND DVCX(36,42)FP - (SEE PAGE 5)

INSTRUCTIONS MUST BE LEFT WITH THE OWNER FOR FUTURE REFERENCE AFTER INSTALLATION.

DVC (C,P) MODELS

BEFORE FIREPLACE IS INSTALLED IN THE WALL

1. With power completely turned off, remove plate and four screws as shown. **See Figure 1.**

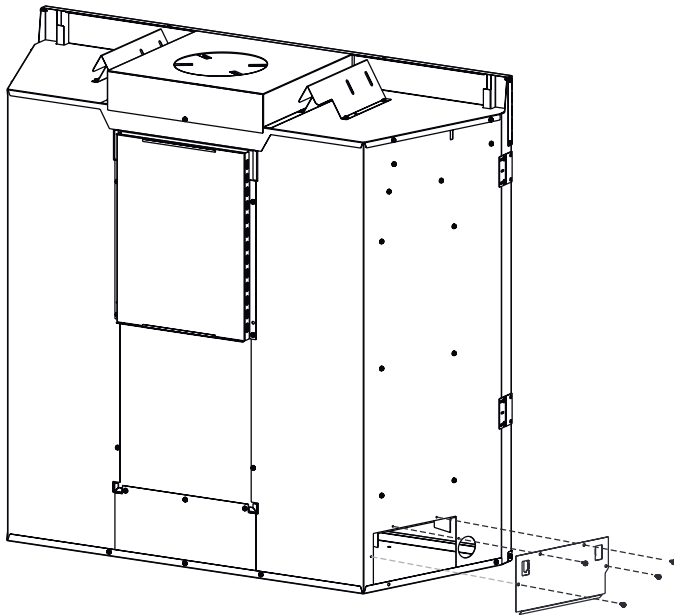


Figure 1

2. Install the blower onto the pre-bent brackets on the blower plate. Ensure the Velcro connects to secure the blower in place. **See Figure 2.**

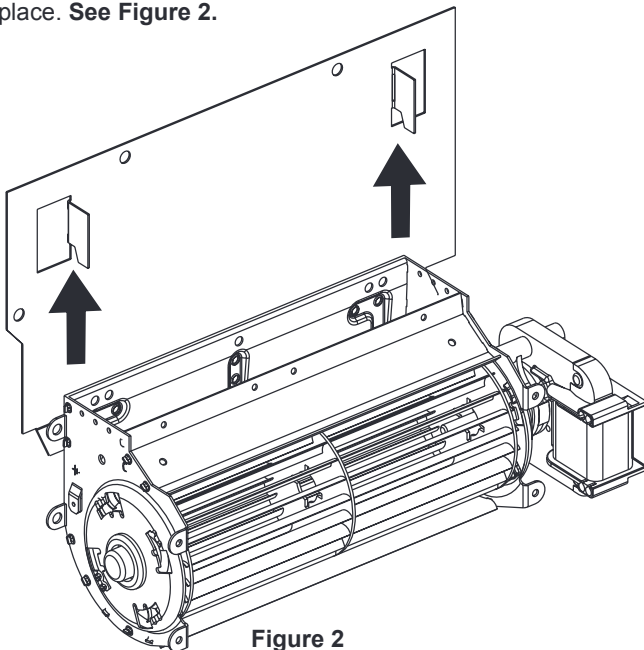


Figure 2

3. Route wiring through opening created in step 1.
4. Secure plate and blower assembly into place with four screws.
5. Install thermo-disc by snapping into valve bracket under the burner assembly. **See Figure 3.**

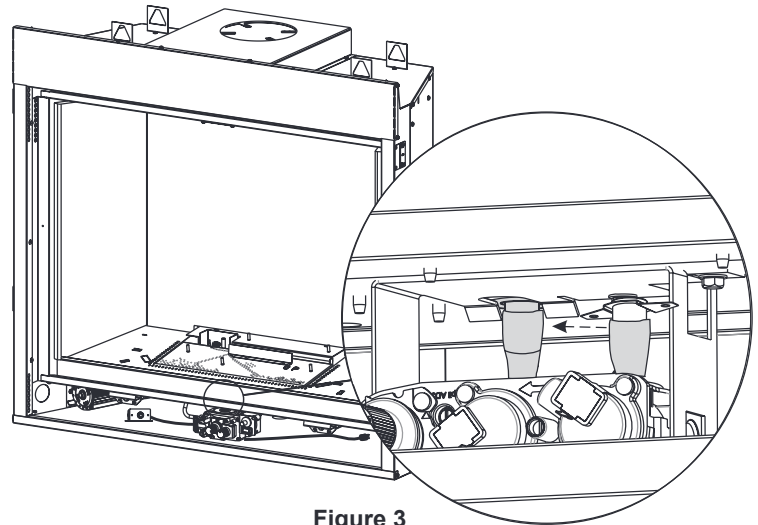


Figure 3

6. Connect Power source into outlet on bottom right side of fireplace.

AFTER FIREPLACE IS INSTALLED IN THE WALL

ATTENTION: Do not handle barrier screen or door assembly with bare hands! (Always wear gloves)

- 1a. **(Post 2016)** Make sure power and gas are turned off prior to any removal. Lift barrier screen assembly and pull away from the unit. See Figure 4.

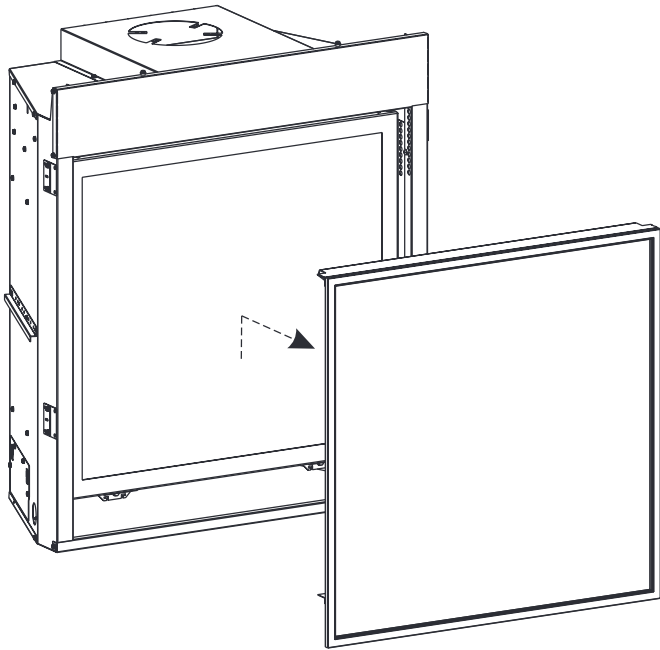


Figure 4

- 1b. **(Pre 2016)** Make sure power and gas are turned off. Tilt and pull lower panel to remove from bottom assembly. See Figure 5.

If applicable, remove safety barrier screen covering the glass.

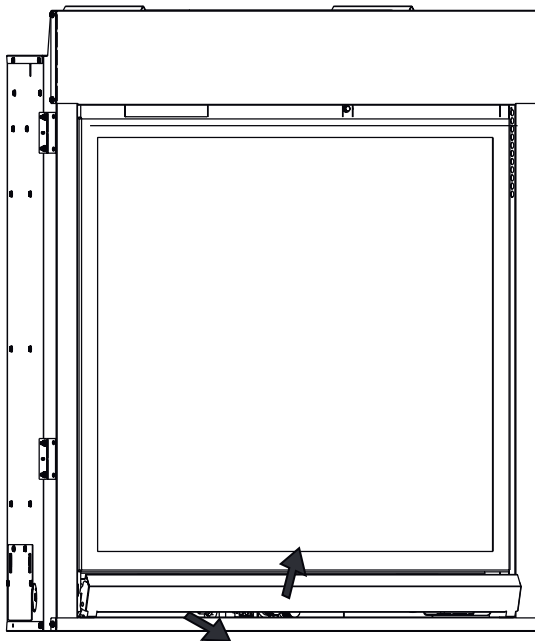


Figure 5

2. Undo two latches at the bottom of the firebox assembly. See Figure 6.

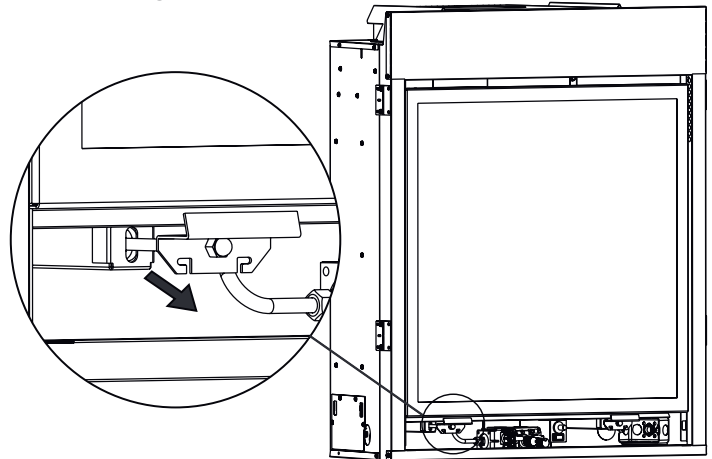


Figure 6

3. Disengage glass frame by pulling in upward swinging position. Place glass frame aside in a safe and out-of-the-way location. See Figure 7.

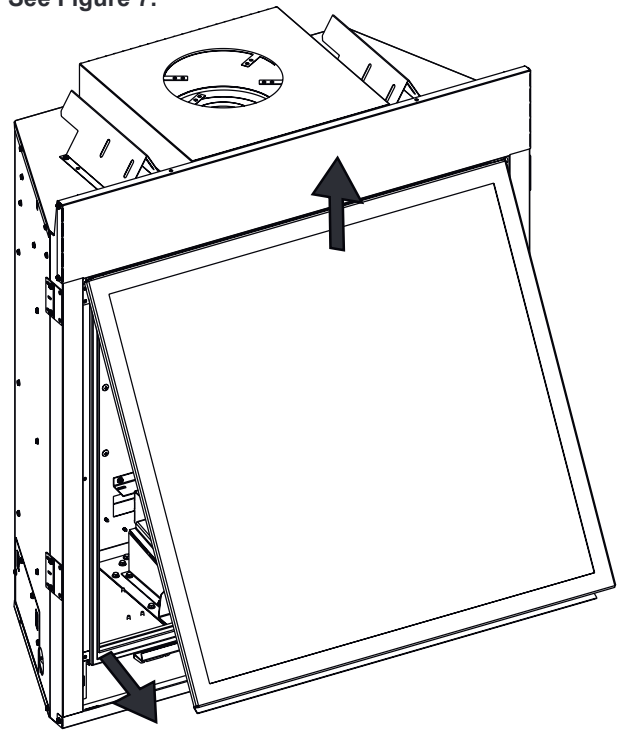


Figure 7

4. Remove log set and decorative media. Remove brackets and liners if installed. Retain for re-installation. **See Figure 8.** (Reflective liners shown.)

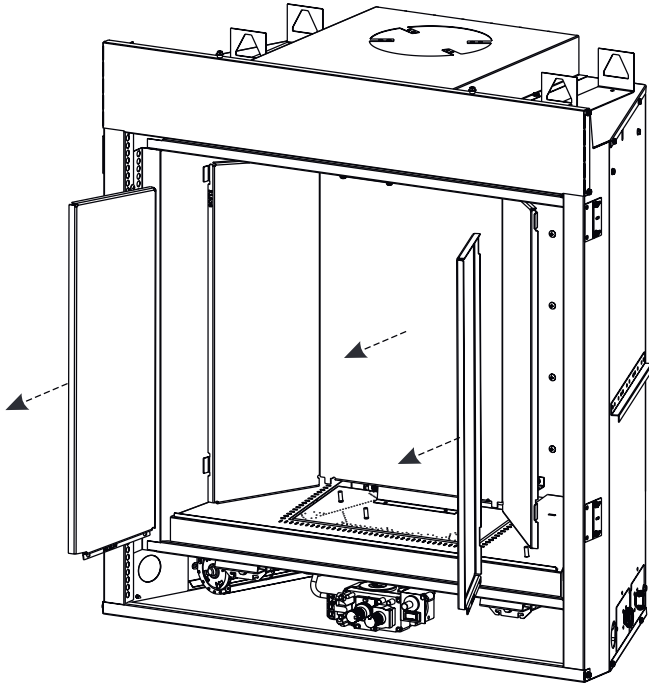


Figure 8

6. Remove log support by removing the two screws securing the metal plate to log support. Retain log support and screws for reassembly. **See Figure 10.**

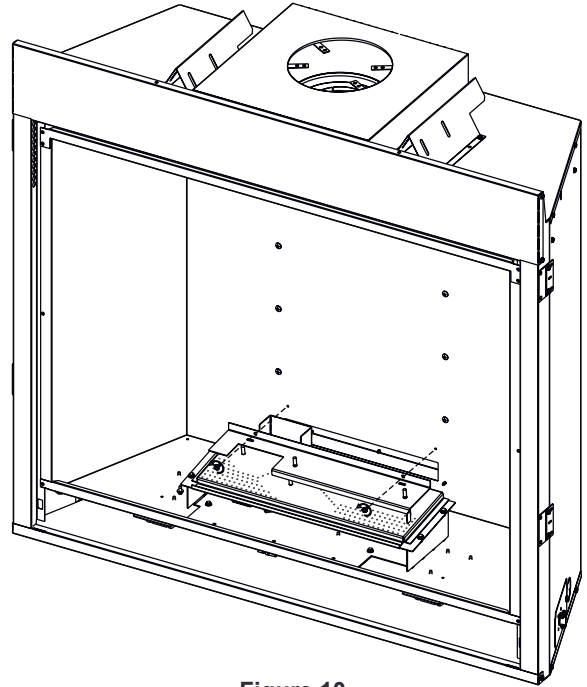


Figure 10

5. Remove burner cover by lifting off. **See Figure 9.**

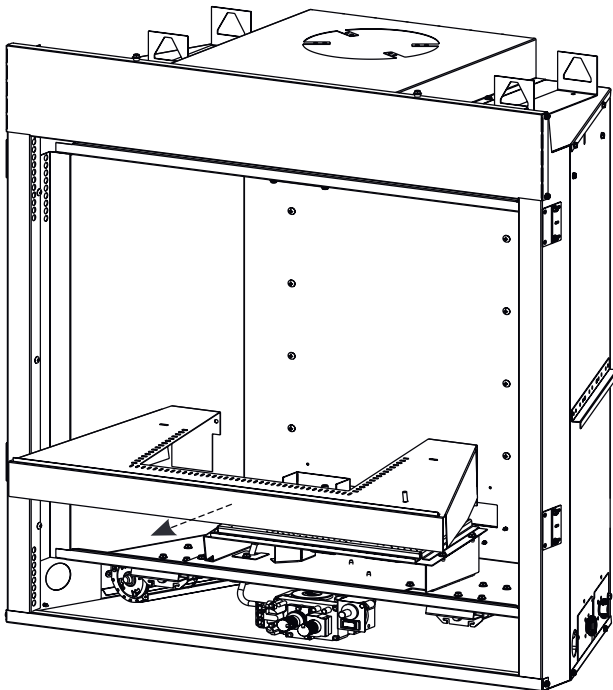


Figure 9

7. Remove the four screws securing burner, slide to burner right and lift off burner. Retain burner and screws for reassembly. **See Figure 11.**

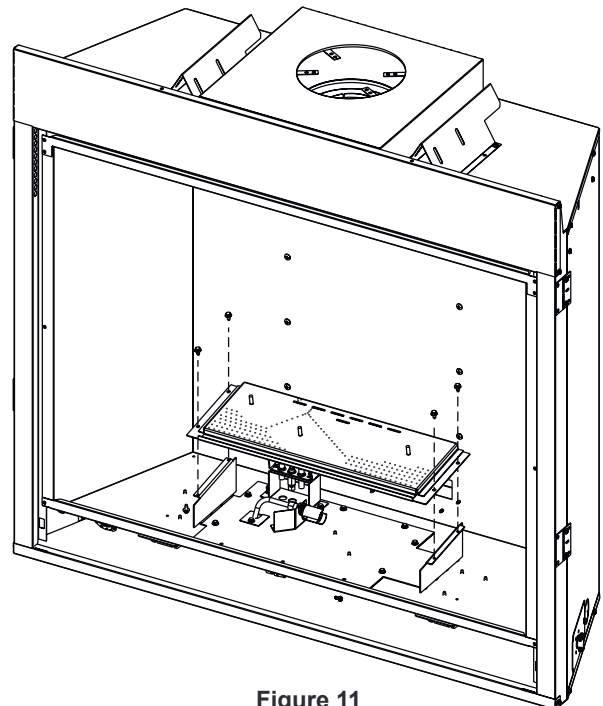


Figure 11

8. Remove ten screws and lift burner base assembly. Disconnect gas line. Retain burner and screws for reassembly. See Figure 12.

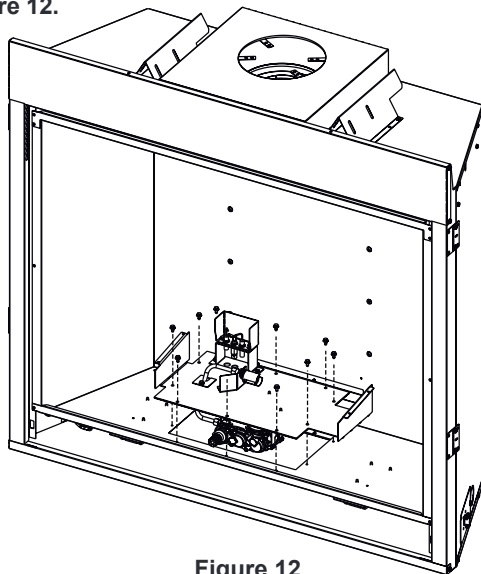


Figure 12

9. Remove the four #10 X 1/2" screws securing the latch assembly to the underside of the firebox and set aside. See Figure 13.

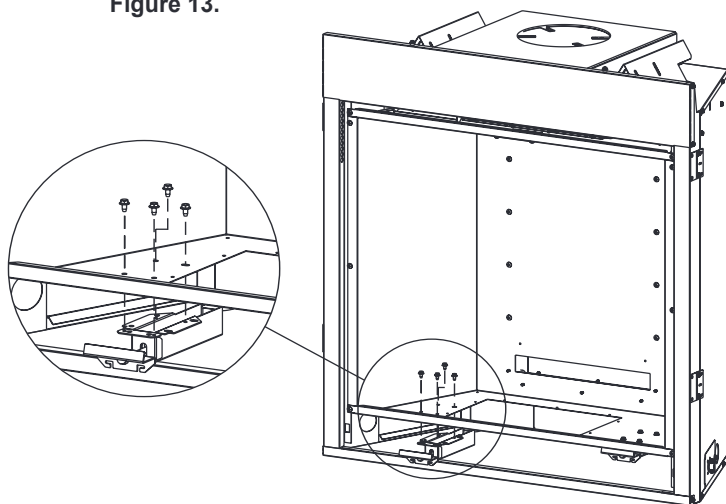


Figure 13

10. Install blower through burner cutout. See Figure 14.

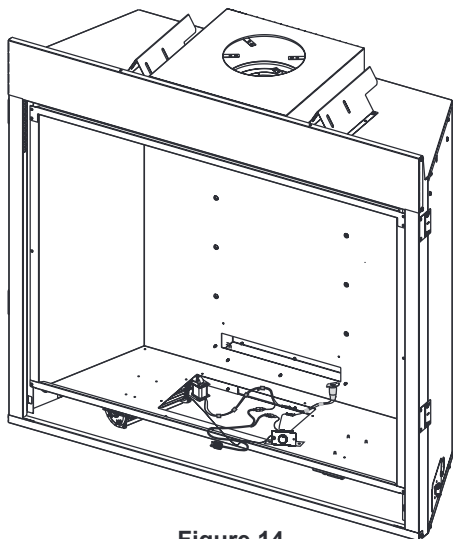
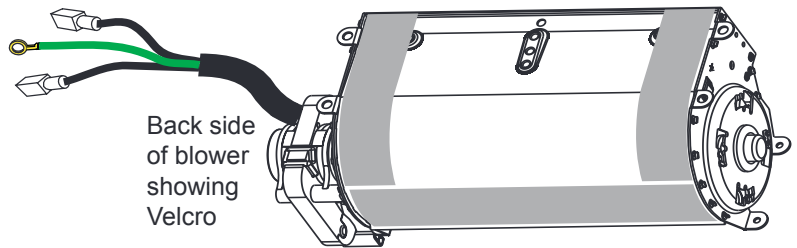


Figure 14

11. The blower plate is on the left side of the fireplace. Slide the blower up into the tabs, securing it into place with the velcro. See Figure 15.



Back side of blower showing Velcro

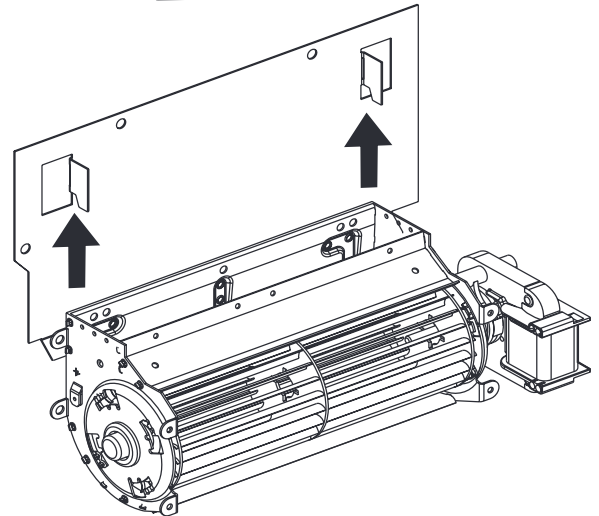


Figure 15

12. Reinstall the latch assembly removed in step 9. See Figure 13.
13. Install thermo disc by snapping it into bracket under the burner assembly. See Figure 16.

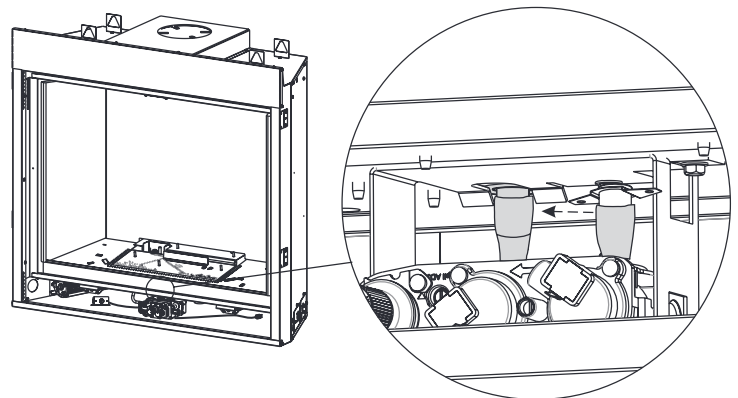


Figure 16

14. Turn gas on, check for leaks. Reinstall the burner base assembly and ten screws removed in step 8. See Figure 12.
15. Reinstall the burner and four screws removed in step 7. See Figure 11.
16. Reinstall the log support and secure it with the metal plate and two screws removed in step 6. See Figure 10.
17. Replace burner cover removed in step 5. See Figure 9.
18. Replace liner and bracket, if removed in step 4.
19. Replace log set and decorative media.
20. Turn on power.
21. Reinstall the glass frame removed in step 3. See Figure 7.
22. Secure the glass frame with the latches at the bottom of the fireplace. See Figure 6.
23a. Replace barrier screen removed in step 1a. See Figure 4.
23b. Replace lower panel removed in step 1b. See Figure 5.

DVCX MODELS

BLOWER INSTALLATION (AFTER INSTALLED IN WALL)

1. Make sure power is turned off. Tilt and pull lower panel to remove from bottom assembly. See Figure 17.

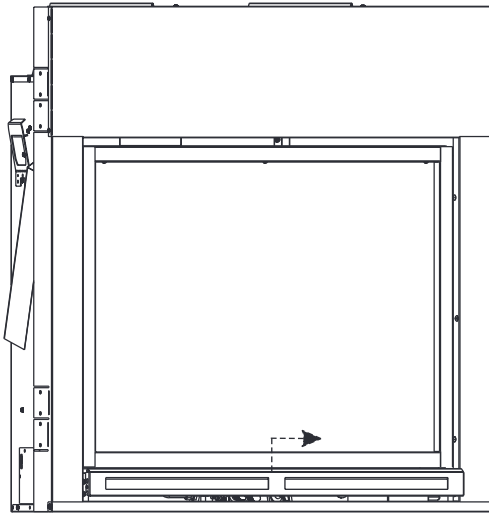


Figure 17

If applicable, remove safety barrier screen covering the glass.

2. Pull latches toward you and down to release. See Figure 18.

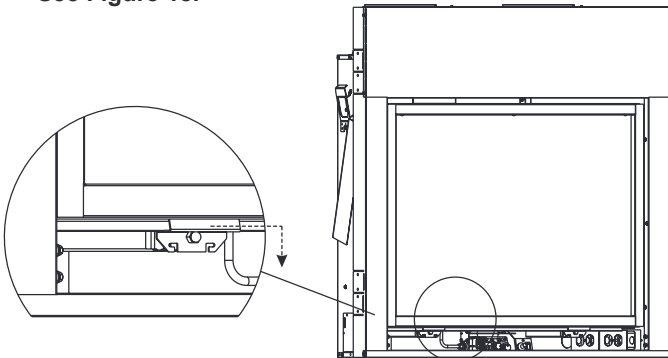


Figure 18

3. Pull glass out at the bottom, then lift up and off. See Figure 19.

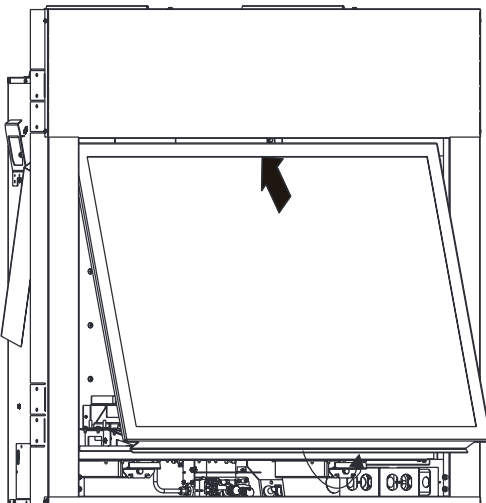


Figure 19

4. Install blower through bottom opening. See Figure 20.

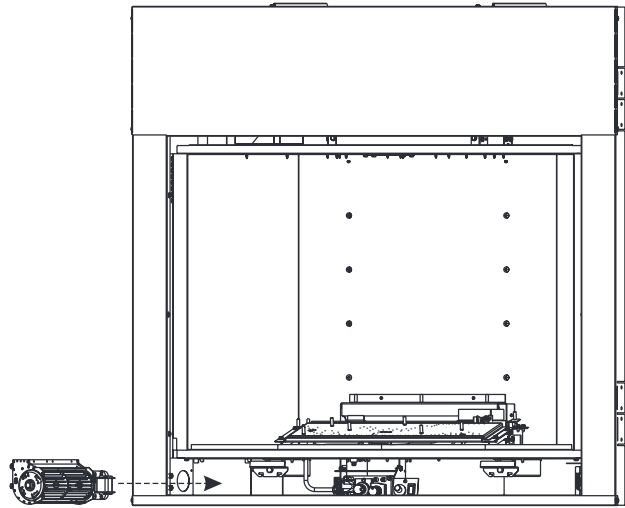


Figure 20

5. The blower plate is on the left side of the fireplace. Slide the blower up into the tabs. Secure it into place with the Velcro at the bottom. See Figure 21.

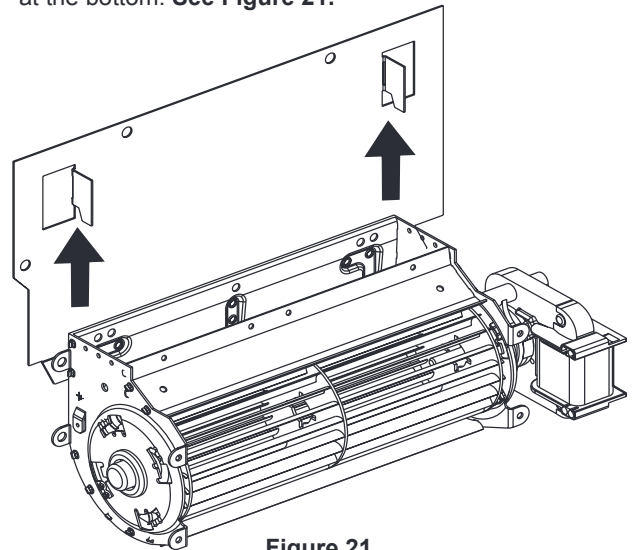


Figure 21

6. Install thermo-disc by snapping into bracket under the burner assembly. **See Figure 22.**

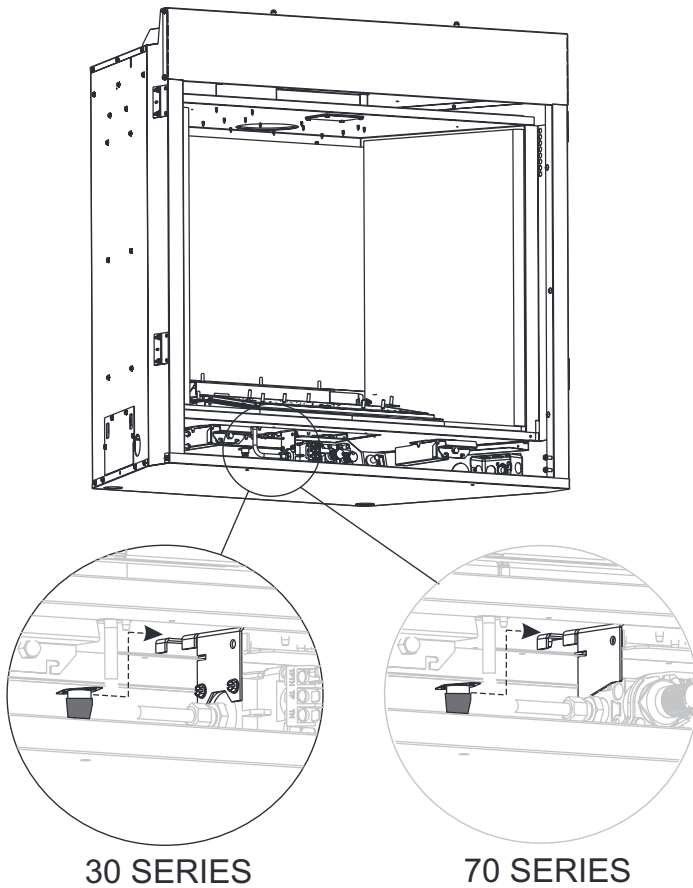
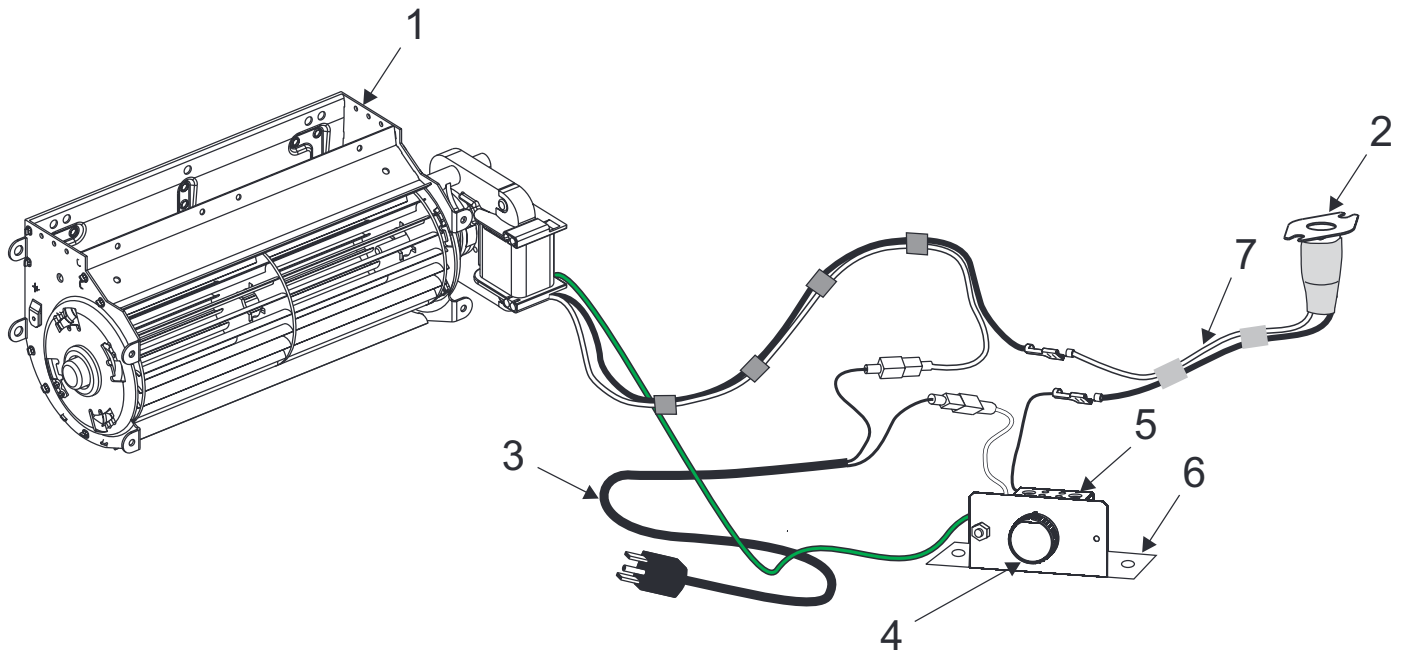


Figure 22

7. Connect power.
8. Reinstall the glass frame and safety barrier screen removed in step 3. **See Figure 19.**
9. Secure the glass frame with the latches at the bottom of the fireplace. **See Figure 5.**
10. Replace lower panel removed in step 1. **See Figure 15.**
11. Turn power on.



BLOWER ASSEMBLY PARTS LIST			
Index Number	Part Number	Description	Quantity
1	R2804	BLOWER ASSEMBLY	1
2	R7649	FAN CONTROL L120-20	1
3	R2099	CORD SET, 30"	1
4	R4192	RHEOSTAT, KNOB	1
5	R4186	RHEOSTAT, 3.0 AMP 115 VAC	1
6	10088	RHEOSTAT BOX BRACKET	1
7	R11768	WIRE HARNESS, FAN CONTROL	1