

**P68/P35i Trim Kit - Installation Instructions**  
 #1-00-06717/ #1-00-00775 / 1-00-00875 / 1-00-07717



**Parts list:**

- (4) 3-30-8610321      10-32 Locknut
- (1) 3-43-06717      Door Trim
- (1) 3-43-08400      Ash Lip Trim
- (1) 3-99-025          1/4" Drill Bit

**Tools needed:**

- 3/32" Hex Key Wrench
- 3/8" Nut Driver
- Power Drill

**1-00-06717 Only**

- (1) 3-31-232547      Spring Clip
- (1) 3-43-06729      Tile Frame

**To Mount Door Trim**

1. Using the hex key wrench, loosen the set screw at latch. Remove the latch pin and latch handle assembly, Figure 1.
2. Remove the door from stove. Lay the door face down on a soft material so that you do not scratch or mar the finish.
3. Locate the four drill dimples on the inside corners of the door. Using the bit supplied (1/4"), drill a hole through each corner, Figure 1.

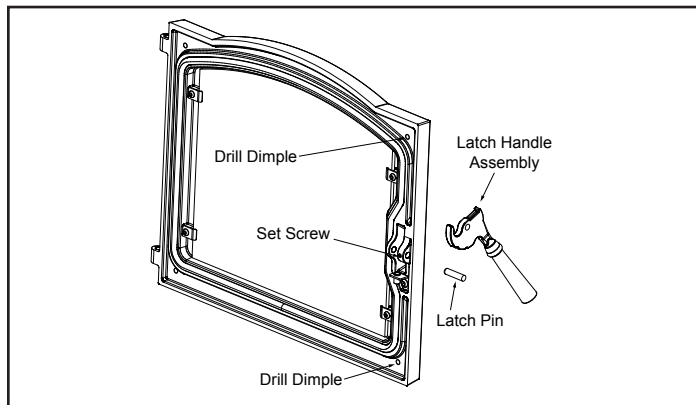


Figure 1

4. Insert the door trim studs through the holes. Using the nut driver, secure with the supplied nuts, Figure 2. **Note: These nuts are placed on the stud with the indented triangle side facing up.**

Before tightening the nuts, check that the frame is properly nested into the offset of the door. **Do not over-tighten nuts. The frame may distort or the stud can break loose from the frame if over-tightened.**

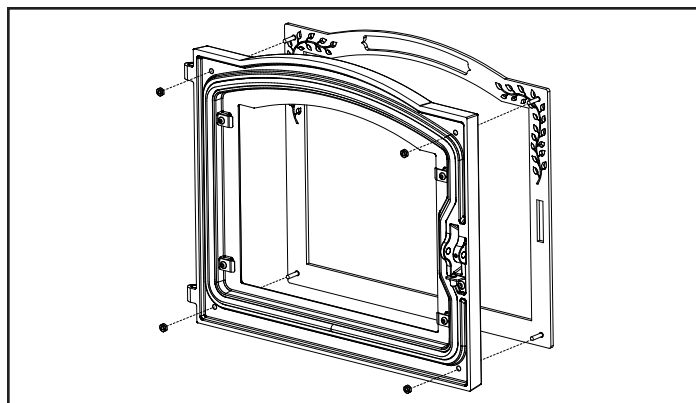


Figure 2

5. Place door back on the stove. Attach latch assembly by reversing step 1.

**To Mount Tile Frame (1-00-06717 only)**

1. Place spring clip in track along short side of tile frame, Figure 3.
2. Snap frame into ash door opening. If using tile, insert in opening before putting on trim piece.

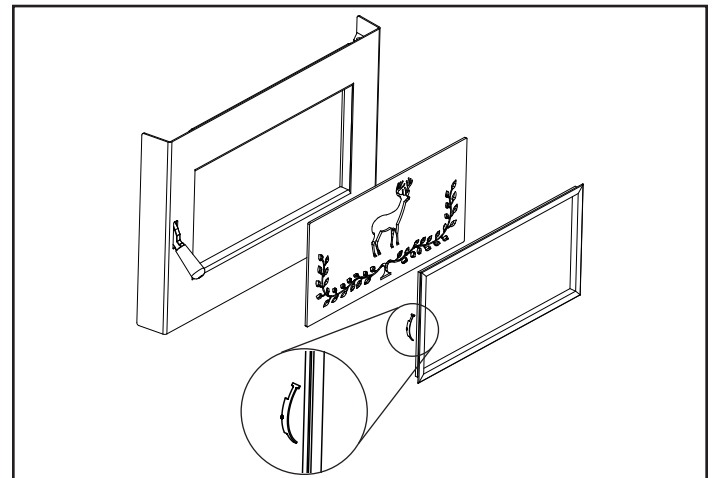


Figure 3

**To Mount Ash Lip Trim**

1. Slide trim onto ash lip. This can be removed to allow clean-up of any dirt that may get on the ash lip.

**NOTE:** Be sure to clean fingerprints from trim pieces with window cleaner before first firing.