

QUADRA-FIRE®

GLASS INSTALLATION INSTRUCTIONS CLASSIC BAY 1200 PELLET SERIES

Center Glass Assembly: 510-5400

Side Glass Assembly: 510-5410

Included in Kit: (1) Center Glass or (1) Side Glass

Tools Needed: Powered Phillips head screwdriver; Nut Driver

WARNING



- Glass is 5mm thick high temperature heat-resistant ceramic glass.
- DO NOT REPLACE with any other material.
- Alternate material may shatter and cause injury.

- Remove door from appliance and place face down on a protected surface to avoid scratching the door.
- Remove all door rope.

Replacing Center Glass

NOTE: DO NOT LET Air Wash Spacers fall down from top frame when removing and replacing center glass.

1. Using a nut driver remove the (5) bottom nuts and remove the bottom glass frame. **Figure 2.**
2. Slightly bend up and out of the way the 2 center posts and slide the glass out the bottom.
3. Slide new glass in, reposition the 2 center posts and re-install bottom glass frame.
4. Re-rope the door.

Replacing Side Glass

NOTE: When removing the side glass with the door latch, you must remove the door latch first before removing the side frame. Use a powered Phillips head screw driver to remove the 4 screws.

1. Using a nut driver remove the (5) bottom nuts and remove the bottom glass frame and then remove side glass frame. **Figure 2.**
2. Slide glass out the side and slide new glass in.
3. Re-install the side glass frame and tighten the top and bottom frames.
4. Re-install the door latch, if applicable, and re-rope the door.

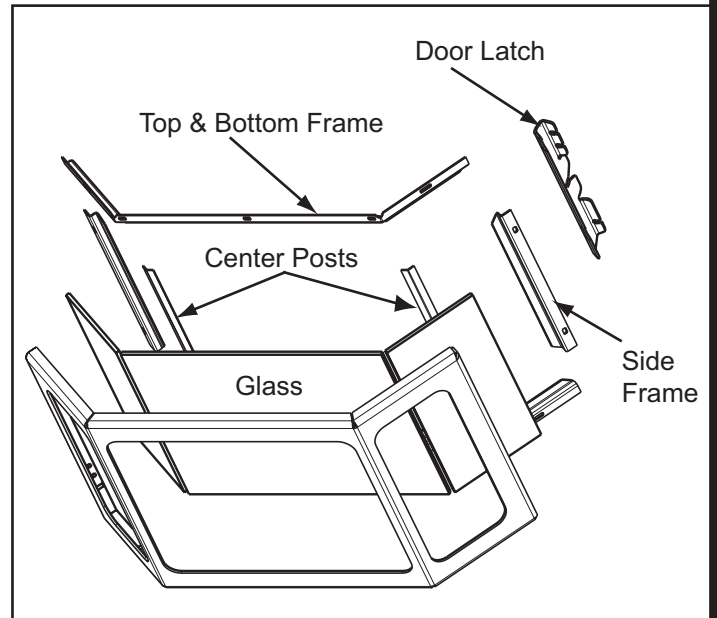


Figure 1.

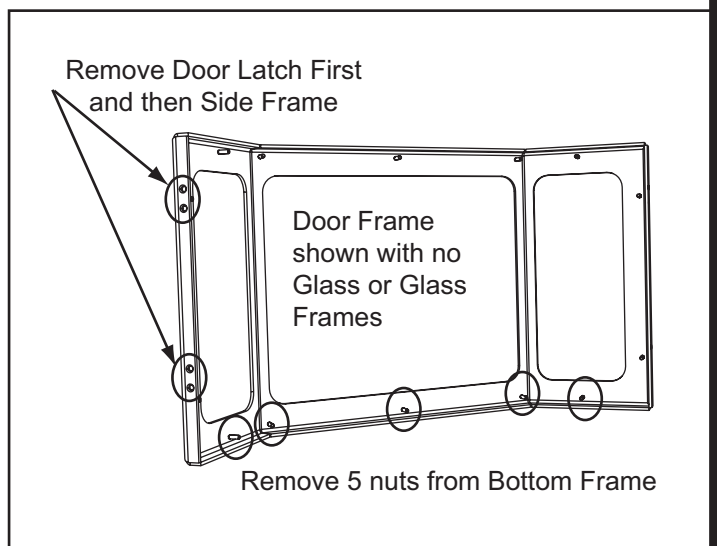


Figure 2.