

Accentra Pellet Insert - Positive Latch Installation

Kit #1-00-674139



Kit Contents:

- | | |
|---------------------|--------------------------|
| (1) 2-00-674082 | Hopper Lid Latch Bracket |
| (1) 3-31-674530 | Lock Spring |
| (1) 2-00-674084 | Hopper Lid Latch |
| (1) 2-00-574322 | Spring Latch |
| (2) 3-30-3125200381 | BHSCS 1/4-20 x 3/8 |

Tools Needed:

- 5/32" Allen wrench (ball end is useful)

1. Using an allen wrench, remove the two 1/4-20 button head screws that hold the pellet guard in place, if supplied, onto the hopper lid. These parts will not be re-used and can be discarded.

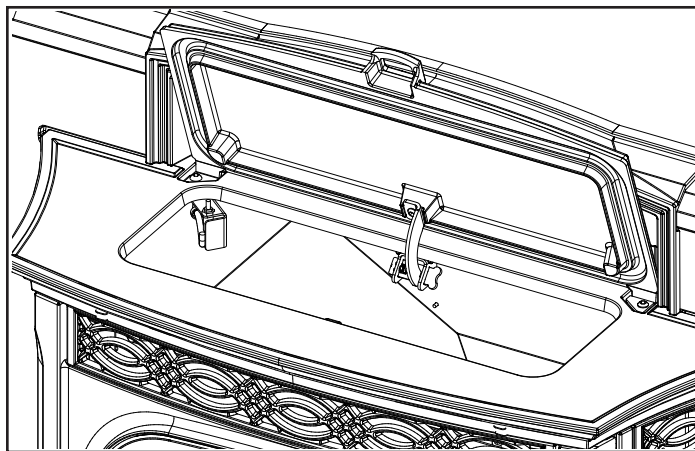


Figure 1 - Shown without pellet guard

2. While supporting the hopper lid with one hand, use the allen wrench to loosen the (3) 1/4-20 button head screws that holds the hopper lid latch onto the hopper lid. Before removing the screw, close the hopper lid enough to release the latch from the open position. Remove the screws. Lift the hopper lid off of the stove and set it aside. Remove the hopper lid latch.

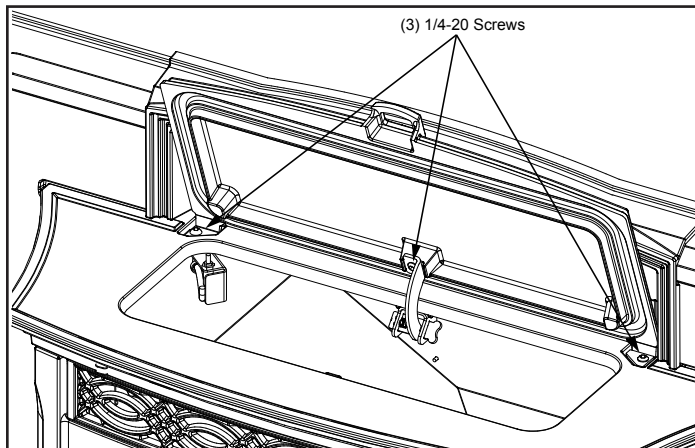


Figure 2 - Remove (3) 1/4-20 Button Head Screw

3. Remove the ball spring plungers and discard them, if so supplied. Using the 5/32" allen wrench, remove (1) 1/4-20 Button head screw that holds the ball spring retainer onto the cast top and discard.

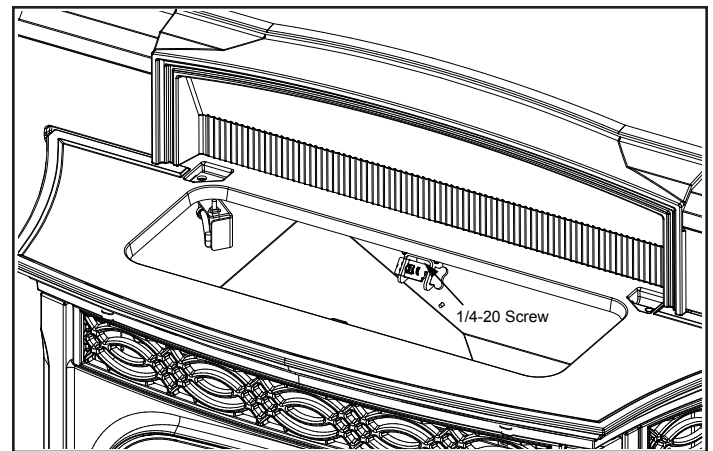


Figure 3 - Remove (1) 1/4-20 Button Head Screw

4. Install the latch bracket onto the stove top using the screw supplied in kit. **Note the orientation of the latch bracket.**

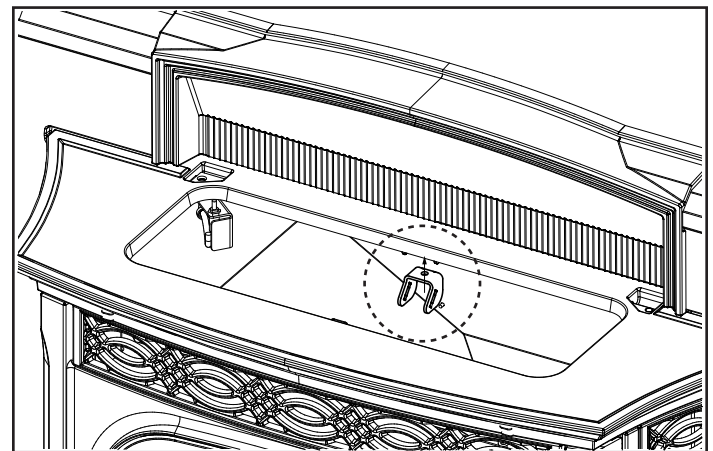


Figure 4

Accentra Pellet Insert - Positive Latch Installation Kit #1-00-674139

HARMAN[®]
BUILT TO A STANDARD, NOT A PRICE

5. With notch facing down, slide spring latch into latch bracket from right side. Install spring onto tongue in the center of the spring latch while centered between the sides of the latch bracket. While holding the spring latch in, install the hopper lid latch in the spring latch just far enough to hold it there. Set the hopper lid onto the stove top and lift it open. Slide the hopper lid latch fully open and insert the screw from the kit and tighten. Check for proper operation of latch.

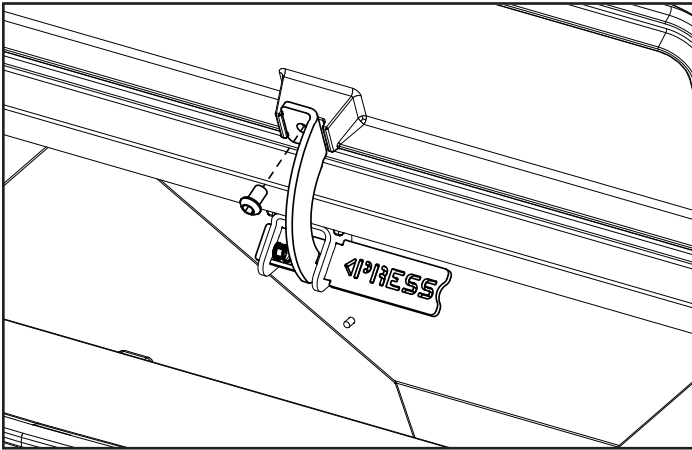


Figure 5