

Accentra 52i Wood Fireplace ZC Kit Instructions - Part #1-00-574205



Installation into a Zero Clearance Wood Fireplace

Contents:

- (1) HWH TEK 10 x 3/4 - 3-30-511007517
- (1) Modification label - 1601246

When installing the Accentra 52i into a factory built wood burning fireplace, several things need to be taken into consideration.

The size of the fireplace opening. Will the unit fit into the opening? Some of the factory built fireplaces have metal smoke shields inside the top that can be removed to gain height. Keep in mind that anything removed from the factory built fireplace must be attached to the fireplace with a metal wire. Floor protection guidelines, as listed previously, must also be followed.

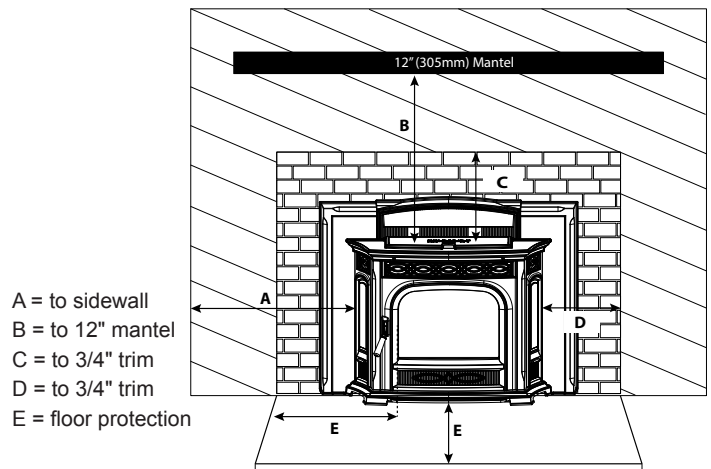
The manufactured fireplace may not be altered beyond the exceptions listed below. Never remove masonry bricks or mortar from an existing fireplace.

The following modifications are permissible:

- Removal of the damper or lock in open position
- Removal of smoke shelf or baffle
- Removal of andirons or ember catchers
- Removal of log grate
- Removal of view screen or curtain
- Removal of doors
- External trim pieces, that do not affect the operation of the fireplace, may be removed providing they can be stored on or within the fireplace for reassembly if the insert is removed.
- If the hearth extension is lower than the fireplace opening, the portion of the insert extending onto the hearth must be supported.
- Final approval of this type of installation is contingent upon the authority having jurisdiction.
- If any of the modifications detailed above are completed on the fireplace during installation, the label included in this kit, part number 1601246 must be installed.

The factory built chimney must be listed per UL 127 (US) and meet type HT requirements of UL 103 (US). Factory Built fireplace chimneys tested to UL 127-98 may be, at the fireplace manufacturers option, tested to the same criteria as UL 103HT requirements. If the chimney is not listed as meeting HT requirements, or if the factory built fireplace was tested prior to 1998, a full height listed chimney liner must be installed from the appliance flue collar to the chimney top. Liner must meet high temperature (2100° F) per UL1777 (US). The liner must be securely attached to both the flue collar and the chimney cap. To prevent room air passage to the chimney cavity of the fireplace, seal the damper area around the chimney liner with fiberglass batting.

* Floor protection must be used from hearth opening to 6" (152mm) in front of door glass and 6" (152mm) to each side of the stove body OR 8" (203mm) to sides and 18" (457mm) in front (CANADA) to protect combustibles from hot ashes. A minimum size will be 16.5" deep by 30" wide and be made of a non-combustible material or meet UL approval.



Clearances:	A	B	*C	*D	E (From Glass)
From Insert Body:	12" (305mm)	12" (305mm)	0"	0"	6" (152mm)
*3/4" trim, zero clearance to cast surround					18" (457mm Canada)

The new finished height of the fireplace floor should be level with the hearth. If the fireplace floor is too low, the installer can only use non-combustible materials to raise the stove mounting frame. Any shimming needs to be positioned beneath the frame leveling bolt areas.

Attach the wings along with flue tailpipe and gasket (and outside air, if used) onto insert mounting frame and temporarily install into opening. Lay the ash lip onto the frame rails to confirm proper hearth height. If the ash lip to hearth clearance needs set or Insert frame needs leveled, install leveling bolts into frame floor and correct as necessary.

When mounting is correct, the insert mounting frame should be secured through the floor by using lag bolts or screws. Figure 1 Remove the ash lip and connect the flue, (along with outside air pipe, if used) to their tailpipes. Type PL vent, type L vent, and flex pipe approved for pellet stoves are allowed for this installation. Flex pipe may only be used on the flue if running vertically.

The flue pipe may stop one foot inside the existing chimney and be sealed with non-combustible materials. It is preferred that the flue runs to the top of the existing chimney to help avoid possible performance issues.

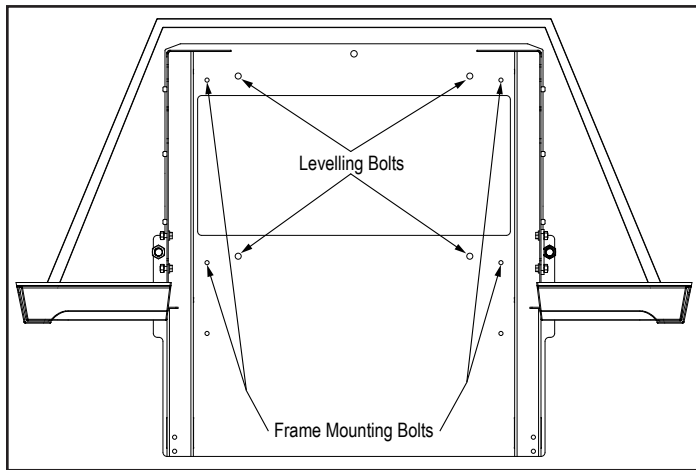


Figure 1

Alternate venting method and outside air connection

The Harman direct vent wall pass thru may be used to vent the Accentra 52i directly outside if the zero clearance unit is located on an exterior wall. Installation will require using zero clearance kit #1-00-574205 along with the direct vent wall pass thru kit (1-00-677177) and the 3" stub pipe kit (1-00-674039) for 3" pellet pipe.

The Insert will need an outside air kit (1-00-574350) installed to finish the connection.

The thickness from the firebox inner wall to the surface of the exterior wall may not be under 4-1/2" or go above 10-5/8". This is the range the direct vent wall pass thru is designed to fit. Flexible flue pipe may not be used with the direct vent wall pass thru. Only PL vent with 3" or less clearance rating is allowed.

The existing chimney on the zero clearance cabinet must be sealed if using the direct vent wall pass thru.

Connecting only outside air through rear of cabinet

The exhaust venting may be run through the existing flue with the outside air being routed through the back wall of the zero clearance cabinet. The air pipe must be sealed where it passes through the cabinet and the outer wall. A flexible pipe suitable for the connection is available through your Harman dealer.

An inlet cover for the pipe is required to keep birds, rodents, etc. out of the airway. This is available from your Harman dealer (1-10-09542).

The Insert will need an outside air kit (1-00-574350) installed to finish the connection.

When installing an electrical box inside the cabinet, it may be done on the left front corner only, beside the Insert mounting frame and near the opening of the zero clearance cabinet. Figure 2.

The installer can only use a metal handy box with a metal receptacle cover. The power line must be installed according to any local electrical codes where piercing through cabinet walls is required. The power line shall enter the left side within 6" of the opening and the cabinet floor and go into the handy box. It can also run from the right side of the cabinet within 6" of the opening and the cabinet floor. It must be ty-wrapped and routed over the top of the Insert frame, following the original Insert cord mounting. The power line and the Insert cord may not be run around the back of the Zero Clearance cabinet or Insert mounting frame. The stove cord must be ty-wrapped and secured near the handy box. Be sure to follow all local electrical codes.

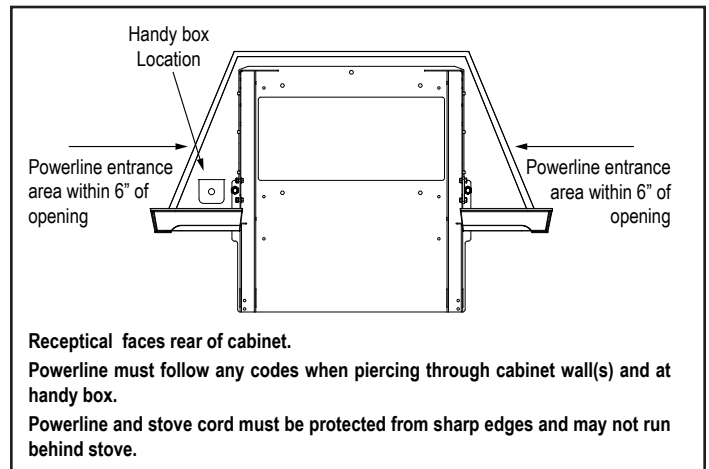


Figure 2