

Ignitor Replacement Instructions

Part #1-00-777200

HARMAN[®]
BUILT TO A STANDARD, NOT A PRICE

1. Disconnect Power
2. Remove the ash pan.
3. Remove the Swing Plate. Figure 1.
4. Open the bottom of the burnpot by swinging the cleanout cover to the left, remove any debris that has developed. Figure 2.

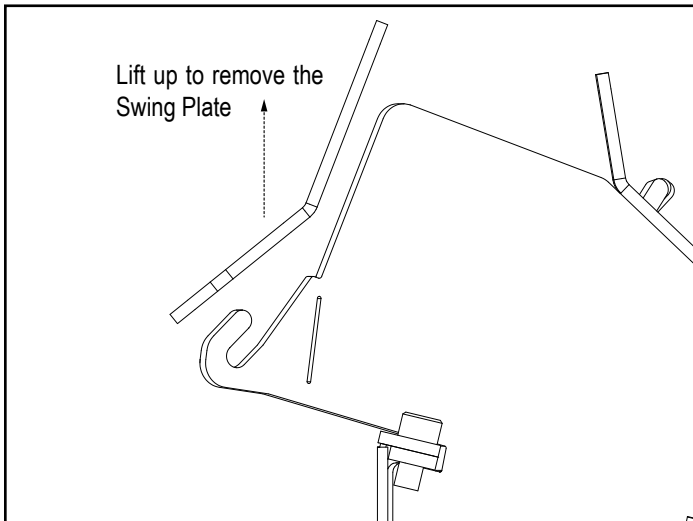


Figure 1

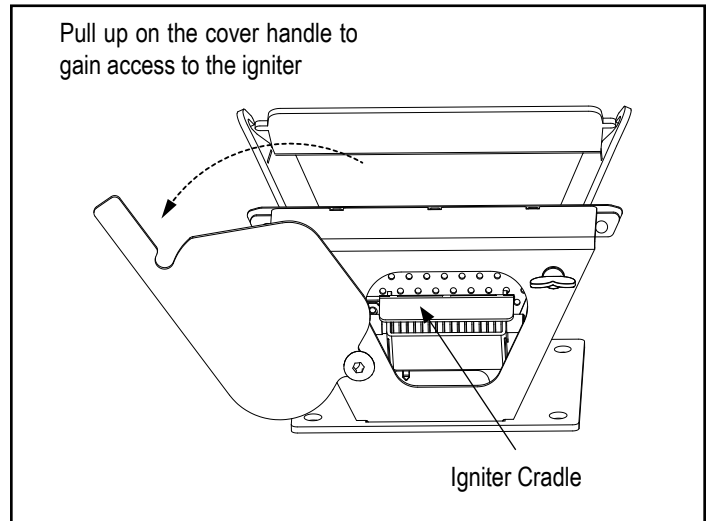


Figure 2

5. Remove the two 1/4-20" allen head bolts on the outer front corners of the burnpot using the 3/16" allen wrench supplied with the hardware pack in the unit, then remove the burnpot grate by pulling forward. Figure 3.
6. Remove the left rear motor cover located below the hopper and locate the sky blue and yellow wires that go to the igniter through the rear of the feeder. Cut away any cable ties to release the extra loop of wire so the wire can be drawn into the feeder when the igniter is removed from the burnpot.
7. Remove the front igniter cover by bending the metal tab on the left forward from the burnpot grate. With the tab bent out, the cover should lift up off the main bracket hooks. (Note how the wires from the igniter loop toward the front of the burnpot before routing toward the rear of feeder when the igniter is in place.) The igniter will pull straight out of the main bracket. Figure 4.

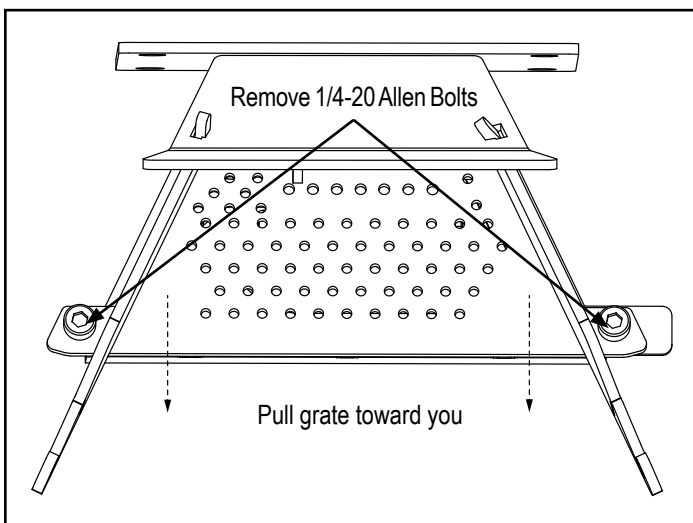


Figure 3

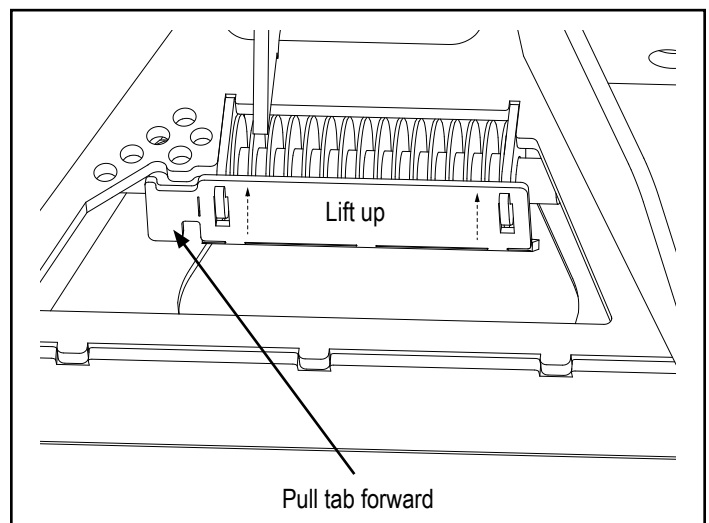


Figure 4

6. Pull the igniter wires forward through the feeder body until the male/female connectors are out enough to disconnect the old igniter.
7. Connect new igniter and pull the connectors back through the feeder body pulling on the wire from the rear of the unit while making sure the connectors don't get caught on the burnpot. (**Note:** Make sure the small weld on the end of the igniter core opposite the wire end is facing front to allow the igniter to fully slide back into the igniter bracket.)
8. With the igniter fully seated into the igniter bracket, re-install the front igniter cover over the hooks of the main igniter bracket, bend tab away from you to keep it securely in place.

NOTE: There should be NO WIRES over the lower cleanout hole. It is very important that the wires are pulled to the rear of the feeder body as far a possible.

9. Close and tighten the bottom cleanout cover.
10. Clean the burnpot grate from any debris or buildup and re-install the two 1/4-20" bolts.
11. Replace swing plate making sure the bend is toward the burnpot.
12. Reinstall ash pan.
13. Re-Tie wrap any extra wires in the rear of the unit with tie wraps included in kit.
14. Replace the rear motor cover below the hopper.
15. Reconnect power and Test igniter.