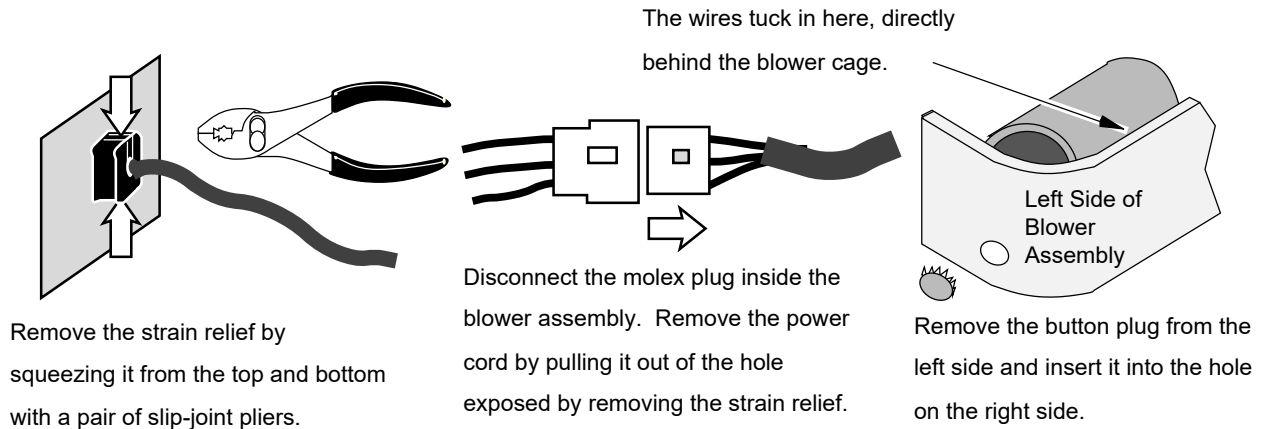


Front Blower (part # 99000126)

To Switch The Power Cord To The Left Side:

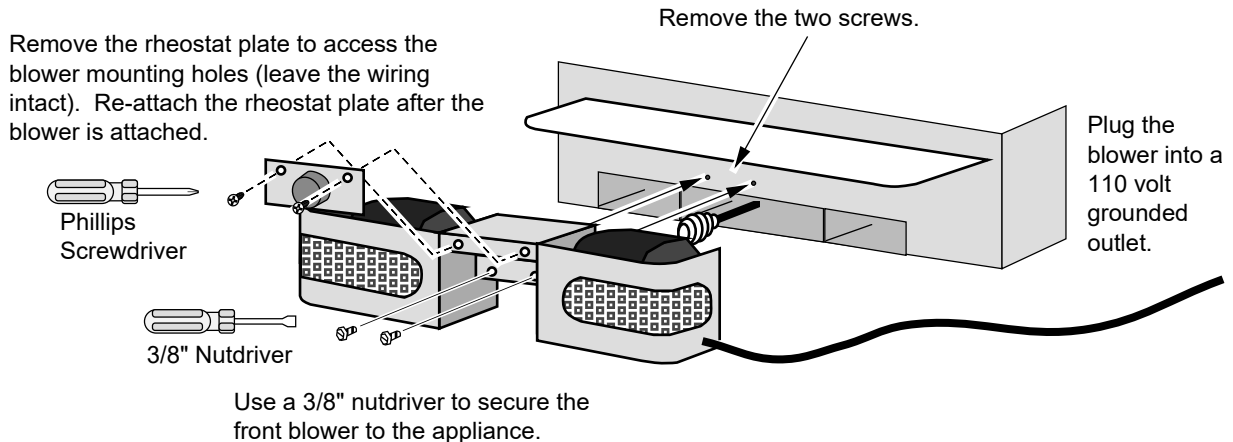
Use a pair of pliers to disconnect the strain relief which holds the power cord in place. With the power cord slackened, the mox connectors that attach the power cord to the blower assembly may be disconnected. Pry the button plug from the left side of the blower assembly and insert it into the hole on the right side. Pull the left side mox connector out from behind the deflection plate and cut the nylon tie that holds the wire back. Insert the mox connector on the power cord through the hole on the left side of the blower assembly and attach it to the left side mox connector. Route the wire directly behind the blower cage. Place the strain relief over the power cord (it should be in the same location on the power cord that it was before – approximately 2" (51mm) from where the wires split). Insert the strain relief into the hole on the left side until the strain relief locks in place. Make sure the power cord, wires, or mox assembly do not protrude into the opening of the blower.



Installation Instructions

1. Attach the blower following the instructions below.

NOTE: Before tightening the screws with a 3/8" nutdriver, lift the blower up so it tucks underneath the ashlip.



2. Plug the power cord running from the control box into a grounded 110 volt electrical outlet.