



PART / PIÈCE / PARTE / TEIL / PARTE :  
80014, 80015, 80029, 80030

# PIT BOSS®

## HOW TO INSTALL A WIFI CONTROL BOARD ON YOUR GRILL

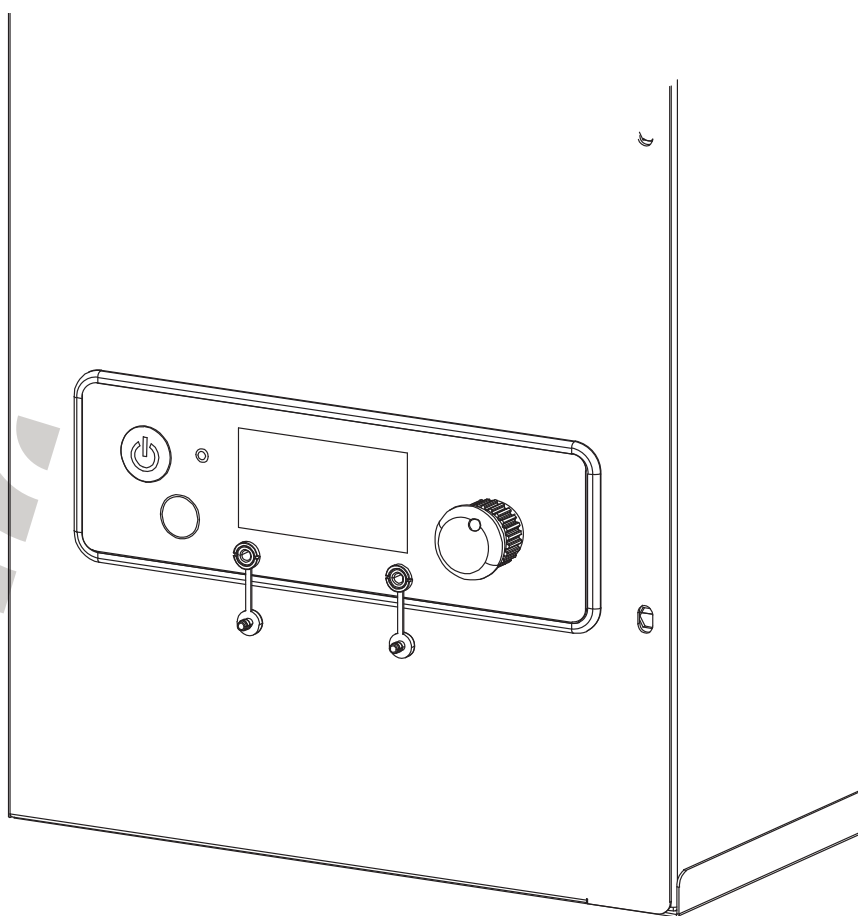
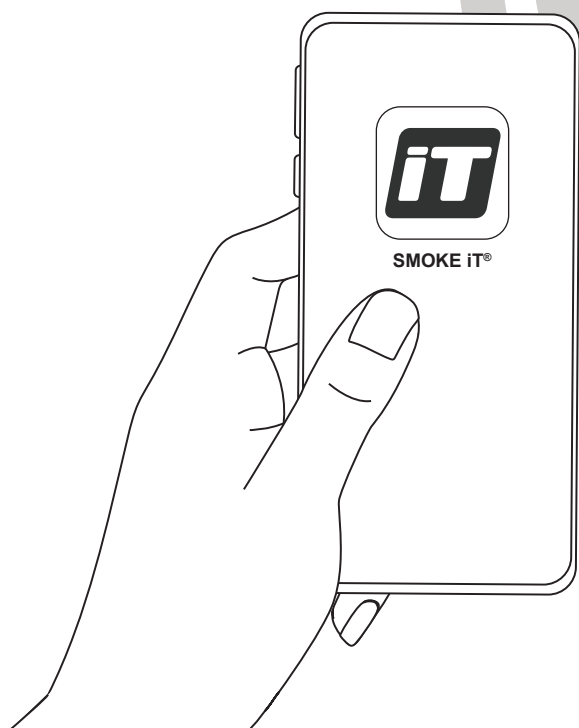
IMPORTANT, READ CAREFULLY,  
RETAIN FOR FUTURE REFERENCE.

## COMMENT INSTALLER UN PANNEAU DE CONTRÔLE WIFI SUR VOTRE GRILL

IMPORTANT, PRENEZ CONNAISSANCE DE  
CE DOCUMENT ET CONSERVEZ-LE POUR  
RÉFÉRENCE ULTÉRIEURE.

## CÓMO INSTALAR UN TABLERO DE CONTROL WIFI EN SU PARRILLA

IMPORTANTE, LEER DETENIDAMENTE,  
CONSERVAR PARA REFERENCIA FUTURA.





**COPYRIGHT NOTICE**

Copyright 2020. All right reserved. No part of this manual may be copied, transmitted, transcribed, stored in a retrieval system, in any form or by any means without expressed written permission of,

**Dansons**

3411 North 5th Avenue, Suite 500, Phoenix, AZ, USA 85013  
 sales@pitboss-grills.com | service@pitboss-grills.com  
**www.pitboss-grills.com**

**Customer Service**

Monday through Sunday, 4am - 8pm PST (EN/FR/ES)  
**Toll-Free: 1-877-303-3134, Fax: 1-877-303-3135**

**TABLE OF CONTENTS**

Controller Compatibility ..... 2  
 Installation Instructions  
     Installation Environment..... 3  
     Removing The Existing Controller..... 3  
     Installing The New Controller..... 4  
     Connecting To The Smoke It® APP..... 5

**CONTROLLER COMPATIBILITY**

The Pit Boss® Control Board, or Controller, has been designed to fit a limited variety of hoppers. The first step of your installation should be to review your new Controller packaging and ensure that it is compatible with your grill.

**WARNING: Do not enlarge the current Controller cutout, or opening, on your unit to fit a Controller that is not compatible. Each hopper is engineered specific to a Controller sizing.**

80014	80015	80029	80030
<b>UNIT COMPATIBILITY</b>			
PB440D2, PB440D3, PB440TGN1, PB456D PB700NC1 PB820D2, PB820D3, PB850G, PB820ME, PB820PS1, PB0820SP, PB820XL PB1000NC1, PB1000SC3, PB1000SC2, PB1000SP, PB1000T3, PB1000T4, PB1000XL PB1100SP, PB1100PS1 PB1150G	PB340TGW1  PB700FBW2 PB1000XLW1	PB440D2, PB440D3, PB440TGN1, PB456D PB700NC1 PB820D2, PB820D3, PB850G, PB820ME, PB820PS1, PB0820SP, PB820XL PB1000NC1, PB1000SC3, PB1000SC2, PB1000SP, PB1000T3, PB1000T4, PB1000XL PB1100SP, PB1100PS1 PB1150G	PB340TGW1  PB700FBW2 PB1000XLW1
<b>CONTROLLER LANGUAGE</b>			
ENGLISH	ENGLISH	ENGLISH, FRENCH	ENGLISH, FRENCH

# INSTALLATION INSTRUCTIONS

## **IMPORTANT SAFETY NOTES TO THE INSTALLER:**

- Read all instructions contained in these installation instructions before installing the new Controller. Failure to follow these safety precautions could result in fire, personal injury, or electric shock.
- Observe all governing codes and ordinances relative to electrical appliances. Keep these instructions with your Owner's Guide for future reference.
- The grill must be electrically grounded in accordance with the procedures and specifications listed in the UL Subject 2728A-2019 "pellet fuel cooking appliances" and ULC/ORD-C2728-19 and Canadian CSA C22.2 #3 "for electrical features of fuel burning equipment."

**WARNING: Always disconnect the electrical cord prior to opening the grill for any inspection, cleaning, maintenance or service work. Ensure the grill is completely cooled to avoid injury.**

## **INSTALLATION ENVIRONMENT**

As with most materials, plastic and wiring components can become more brittle in cold weather (10°C /50°F and below). Thus, extra precaution should be taken when replacing parts of your unit. Wires and plastic can be difficult to move when cold. It is highly recommended to bring your grill into a heated or semi-heated area for a few hours before installation of the new controller. In very cold weather, it is possible for electrical components within the hopper to be frozen together, especially if the grill has been stored outside. Likewise, the new controller should also be given time to "warm-up", increasing flexibility and ease for installation.

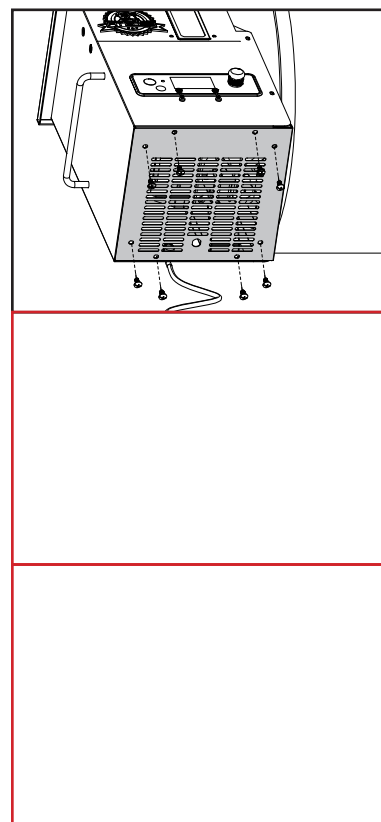
## **REMOVING THE EXISTING CONTROLLER**

**Tools required: Phillips screwdriver, flat-head screwdriver, wire cutting pliers.**

1. Disconnect the unit from the power source.
2. Locate the hopper access panel on the bottom of the hopper. Using a Phillips screwdriver, remove the 4-8 screws along the edges of the hopper access panel. Place aside.

**IMPORTANT: Take special care not to strip the hopper access panel screws while removing.**

3. From below, locate the connectors among the colored wires. Clip zip-ties with wire cutting pliers, as needed, to expose the wires more clearly. Disconnect the four WHITE connectors and one BLACK connector. This will disconnect the wires of the existing controller from the grill. Let the disconnected wire hang loose.
4. Next, prepare to unclip and remove the existing controller. The existing controller is held into the hopper opening by six press clips: three along the top and three along the bottom. Reach your hand into the hopper, from the bottom, and press the three clips along the bottom of the controller to release the bottom. Carefully, using your other hand, grab hold of the bottom of the controller and tip it slowly upward to release the three clips along the top, and pull out. If the top clips are tight, use a flat-head screwdriver to assist with releasing. Once all six clips are released, carefully pull-out the existing controller from the hopper to remove.
5. Continue to next steps to replace the controller, or cover the hopper to minimize exposure to the elements.



## INSTALLING THE NEW CONTROLLER

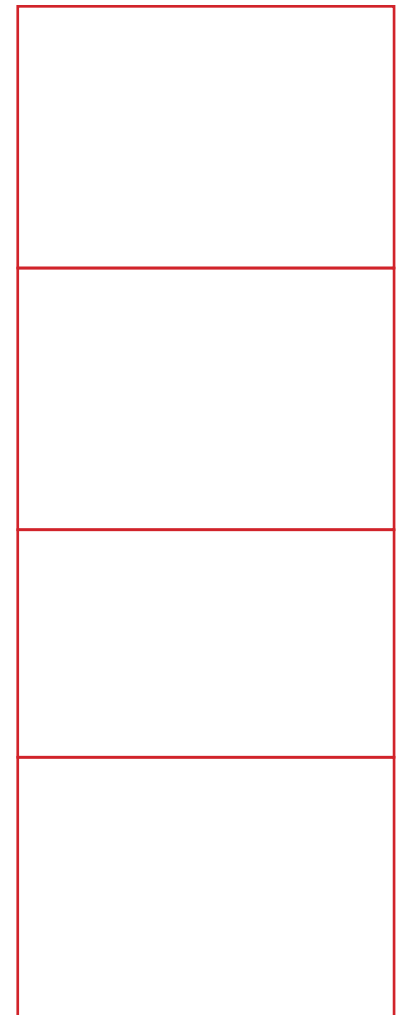
**Tools required: Phillips screwdriver, zip-tie (optional).**

1. Remove the new controller from packaging.
2. Take the disconnected four WHITE connectors and one BLACK connector from the bottom of the hopper (hanging loose) and string them up into the hopper, poking them out through the controller opening on the front.
3. Prepare the new controller for wire connecting. Holding the new controller in front of the opening, match and connect all the connectors appropriately. Ensure the wires of each are connected firmly.

	CONNECTOR	HOPPER WIRE	CONTROLLER WIRE
<b>POWER CORD</b>	WHITE	BLACK/WHITE	BLACK/WHITE
<b>IGNITER</b>	WHITE	WHITE/WHITE	PURPLE/WHITE
<b>AUGER MOTOR</b>	WHITE	RED/RED	RED/WHITE
<b>COMBUSTION FAN</b>	WHITE	YELLOW/YELLOW	YELLOW/WHITE
<b>GRILL PROBE</b>	BLACK	BLACK	WHITE

4. Next, carefully tipping the top edge forward, insert the controller bottom edge into the hopper opening. Once the bottom three clips are all in position, tip the top edge of the controller into the hopper to lock the top three clips. The controller should sit firmly into position. No wires should be exposed through the front of the hopper.
5. Take hold of the wires through the bottom of the hopper and fold them inside, behind the controller.

**IMPORTANT: Observe the auger motor and combustion fan. Take care to ensure none of the wires are near these components. Use a zip-tie to fasten the wires together, if needed.**



### TESTING OPERATION OF THE NEW CONTROLLER

Each of the functions of the controller have been factory checked before shipping. However, it is suggested that you verify the operation of the new controller once more. Follow the following instructions to test the new controller is operating as normal.

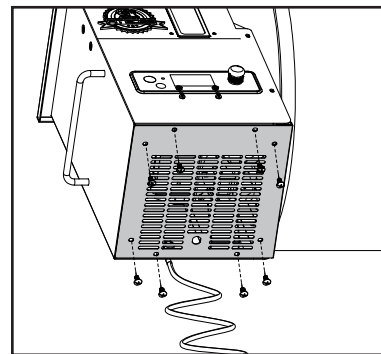
- i. Plug the power cord into a grounded power source. Open the main barrel lid. Check the fire pot to ensure there is no obstruction for proper ignition. Open the hopper lid. Ensure there are no foreign objects in the hopper or auger feed system. Fill the hopper with dry, all natural barbecue hardwood pellets.
- ii. Turn the **Temperature Control Dial** to a low temperature position. Press the **Power Button** to turn the unit on. This will activate the start-up cycle. The auger feed system will begin to turn, the igniter will begin to glow and the fan will supply air to the fire pot. The grill will begin to produce smoke while the start-up cycle is taking place. The barrel lid must remain open during the start-up cycle. To confirm the start-up cycle has begun properly, listen for a torchy roar, and notice some heat being produced.
- iii. After all operations are checked, with the main barrel lid remaining closed, press and hold the the **Power Button** for three seconds to Power-down the unit. The grill will begin its automatic cool-down cycle. The auger system will stop feeding fuel, the flame will burn out, and the fan will continue to run until the cycle is complete.

6. After testing, re-install the hopper access panel to the bottom of the hopper. Fasten with the 4-8 screws.

**IMPORTANT: Take special care not to strip the hopper access panel screws while securing.**

7. The grill is now ready to use as normal.

**NOTE: Refer to your grills Owner's Manual for complete operation instructions, care and maintenance, tips, and troubleshooting information. If lost, please visit [www.pitboss-grills.com](http://www.pitboss-grills.com).**



## CONNECTING TO THE SMOKE iT® APP

The Smoke iT® icon indicates a connectivity with Wi-Fi. When searching for a connection by Wi-Fi or via Bluetooth®, the Smoke iT® icon will blink. Once a Wi-Fi connection has been established, the Smoke iT® icon will stay solid. When connected, get live updates about the actual and set temperatures of the grill, cooking time, and meat probe temperatures.

Follow these instructions on how to connect your grill to the Smoke iT® app with your Android™ or iOS® device. The app will allow you to control and monitor your grill settings and meat probe temperatures from your mobile device. Enjoy the benefits that Smoke IT® mobile connectivity has to offer!

1. Download the Smoke iT® app. Open the app and allow Bluetooth® to be enabled for setup. New users will need to create an account and follow the prompts to login.
2. If you are within Bluetooth® range (9 m / 30 ft), the Smoke iT® app will automatically detect your grill. Select your grill model. If you do not see your grill on the screen, ensure your unit is connected to a power source and is turned on.
3. Name your grill model (ie. My Smoker) in the app and select "Connect" at the bottom of the screen. This will save your grill model in the devices menu.
4. From the devices menu, click the grill model to connect. This will show you the control board screen.
5. Click the settings option (gear) in the top-right corner, enter your Wi-Fi credentials, then click the check mark at the bottom of the screen to connect. Now both Bluetooth and Wi-Fi (cloud) icons will show on the devices menu, showing that the grill is connected.

**While using the app, the screen will shine bright when the grill is active and connected. If the app screen or grill goes dark on the devices menu, check your wireless connection or power source.**

# IMPORTANT

## DO NOT RETURN PRODUCT TO STORE

For all questions, comments, or inquiries, please contact Dansons directly. Our Customer Service department is available Monday through Sunday, 4am - 8pm PST (EN/FR/ES).

**TOLL FREE: 1-877-303-3134**

**TOLL FREE FAX: 1-877-303-3135**

# IMPORTANT

## NE RETOURNEZ PAS LE PRODUIT AU MAGASIN

Pour toute questions, commentaires ou demandes de renseignements, veuillez communiquer avec Dansons directement. Le service à la clientèle est ouvert du lundi au dimanche, de 4 h à 20 h HP (ANG / FR / ES).

**NUMÉRO SANS FRAIS : 1-877-303-313**

**TÉLÉCOPIEUR SANS FRAIS : 1-877-303-3135**

# ¡IMPORTANTE!

## NO DEVUELVA EL PRODUCTO A LA TIENDA

Para el preguntas, comentarios o consultas, por favor contactar Dansons directamente. Nuestro departamento de servicio al cliente está disponible lunes a viernes de 4:00 a.m. a 8:00 p.m. tiempo del Pacífico.

**LLAMADA GRATUITA: 1-877-303-3134**

**FAX GRATUITO: 1-877-303-3135**