

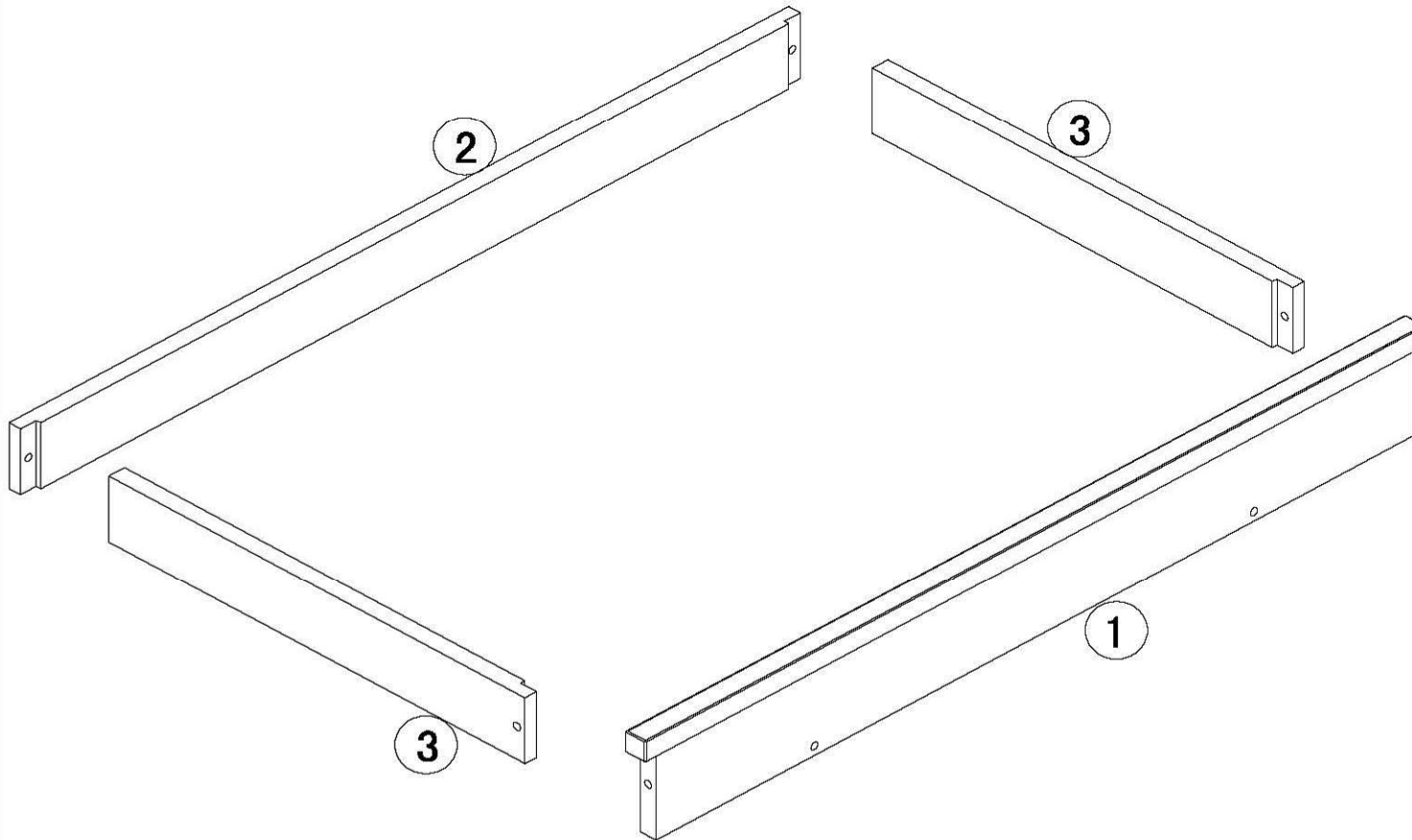
ASSEMBLY INSTRUCTIONS

Part List:

①	① X 1
---	-------

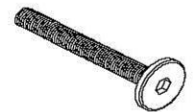
②	② X 1
---	-------

③	③ X 2
---	-------



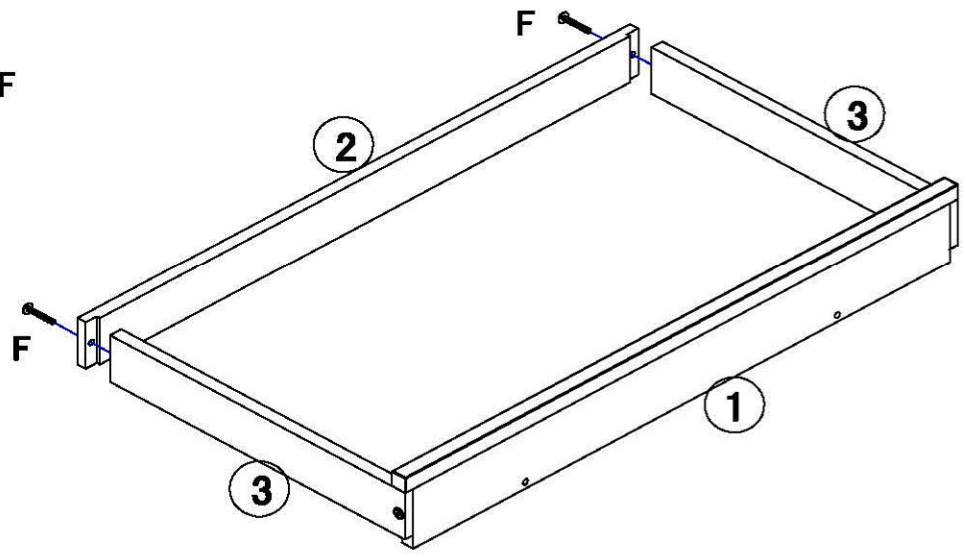
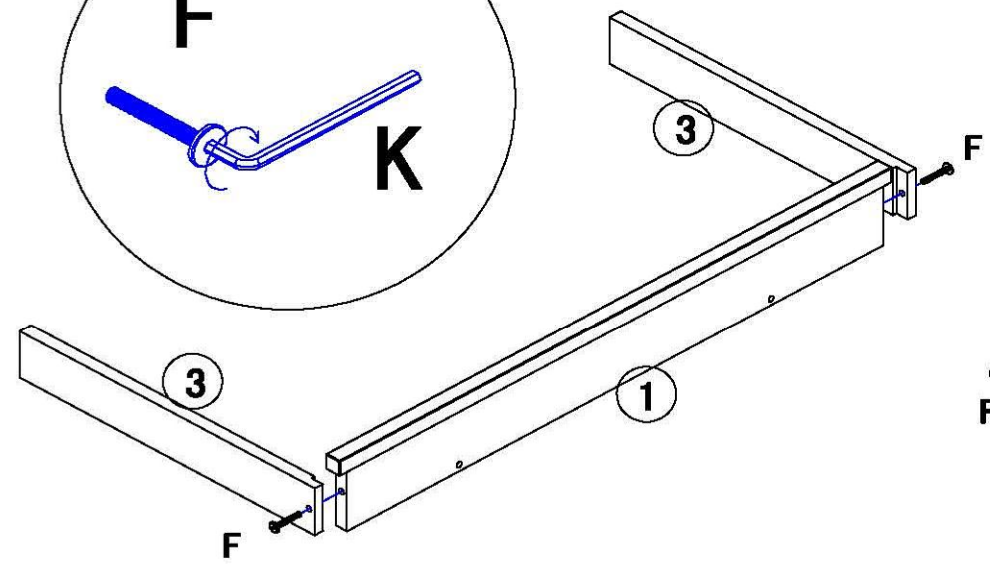
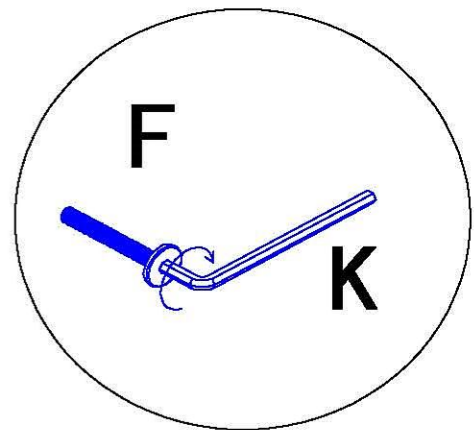
Hard Ware Parts List

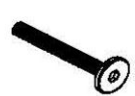
FX6



FX4 

1.



FX2 

2.

