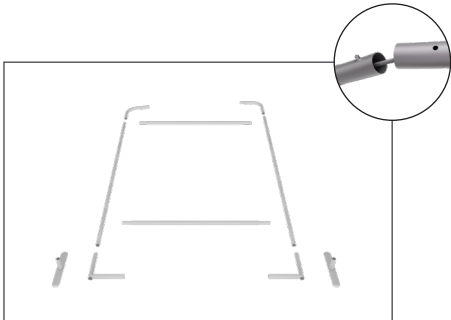


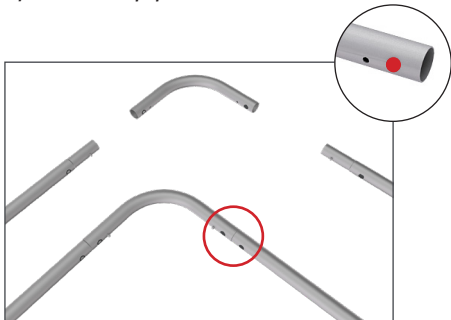
# Set Up Instructions

# WLM-2000A

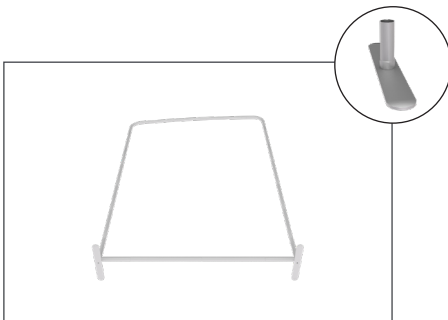
**Step 1:** Assemble straight poles by pressing and pushing together.



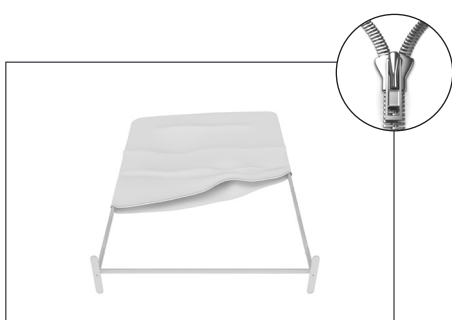
**Step 2:** Connect all corner sections to curved and straight sections of the frame by matching shape symbols on pipes.



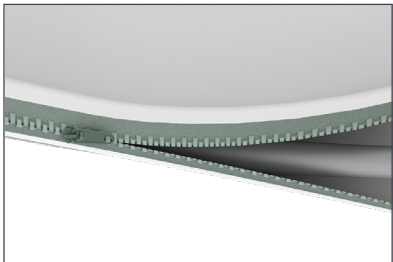
**Step 3:** Insert feet into base to complete assembled frame shown.



**Step 4:** Unzip print and lay image face up. Slide print onto frame like a pillow case.



**Step 5:** Zip the edge of graphic beyond the center point as shown to hold the center pole in place. Zip the remaining side and bottom to meet at the corner.



**LIGHTS:**  
(OPTIONAL) Position as desired and tighten knob to hold in place.  
**WARNING! Over tightening may cause damage to fabric image.**

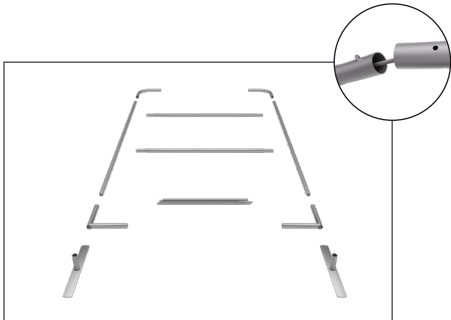
**Step 6:** Complete.



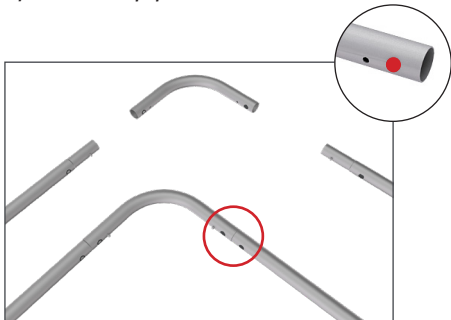
# Set Up Instructions

# WLM-2000E

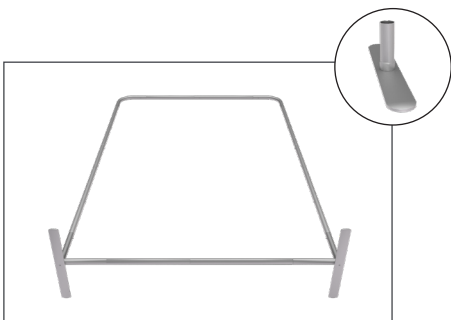
**Step 1:** Assemble straight poles by pressing and pushing together.



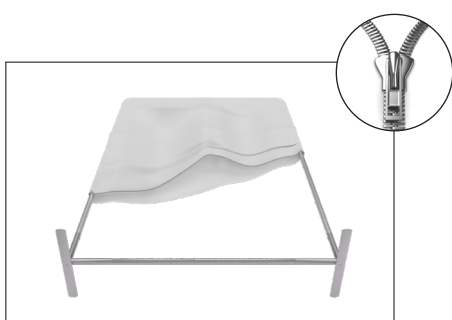
**Step 2:** Connect all corner sections to curved and straight sections of the frame by matching shape symbols on pipes.



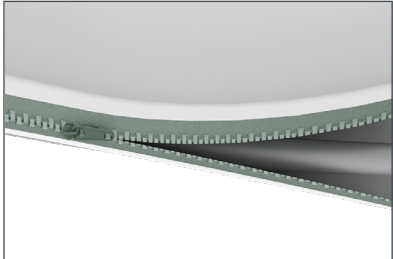
**Step 3:** Insert feet into base to complete assembled frame shown.



**Step 4:** Unzip print and lay image face up. Slide print onto frame like a pillow case.



**Step 5:** Zip the edge of graphic beyond the center point as shown to hold the center pole in place. Zip the remaining side and bottom to meet at the corner.



**Step 6:** Complete.

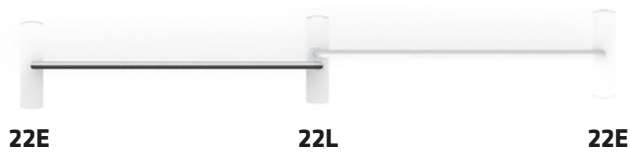
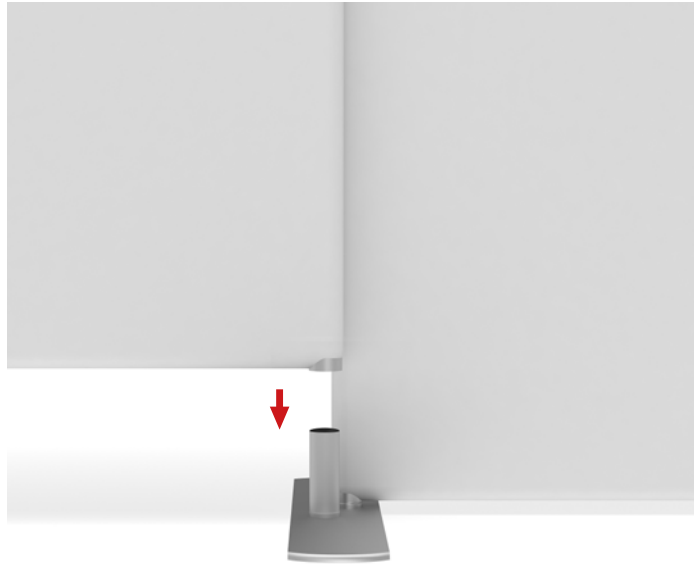


**LIGHTS:**  
(OPTIONAL) Position as desired and tighten knob to hold in place.  
**WARNING! Over tightening may cause damage to fabric image.**

# Set Up Instructions

# WLMAA2 KIT

## FEET



## CLAMPS

