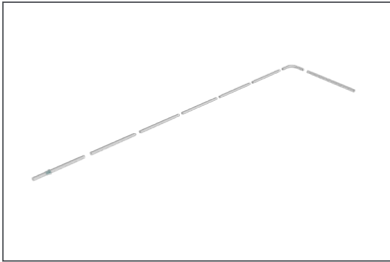
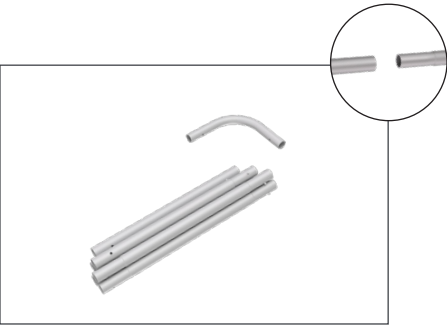


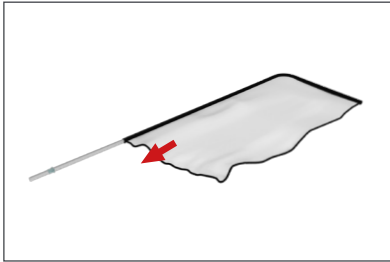
# WLFS-FLAG

## Set Up Instructions

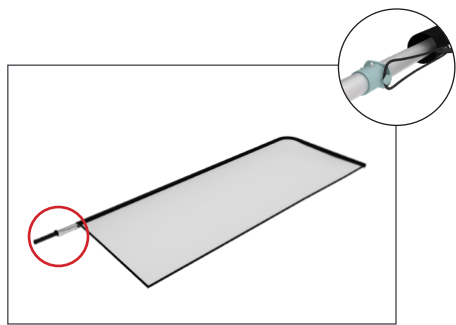
**Step 1:** Assemble the different frame sections by pushing and pulling pipes together.



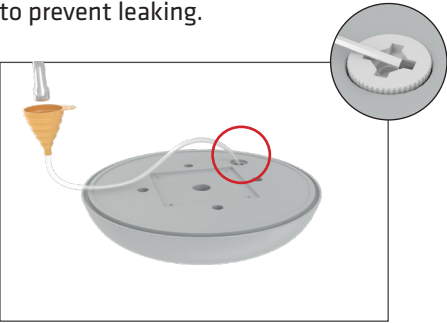
**Step 2:** Feed flag pole through bottom of flag and pull down.



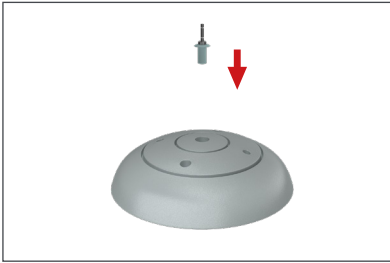
**Step 3:** Attach bungee cord to flag pole to secure flag.



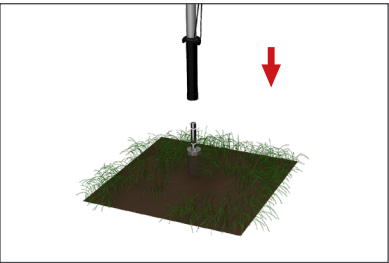
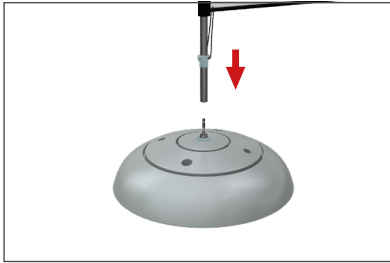
**Bubble Base:** Remove drain screw and add water to base using the funnel provide. Insert drain screw back into hole and tighten securely to prevent leaking.



Insert swivel adapter into center of Bubble Base.



Push flag pole into swivel adapter. Complete.



**Ground Spike:** Insert Ground Spike into ground and push flag pole onto swivel adapter.

