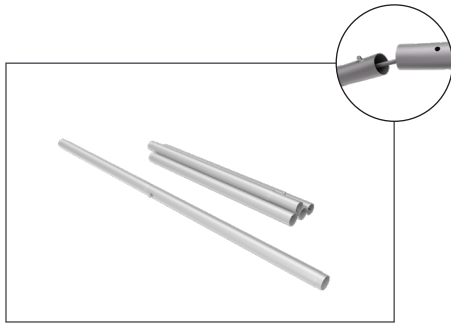


Set Up Instructions

WLC-COUNTER

Step 1: Remove the counter from the molded soft case. Extend and lock the support poles.



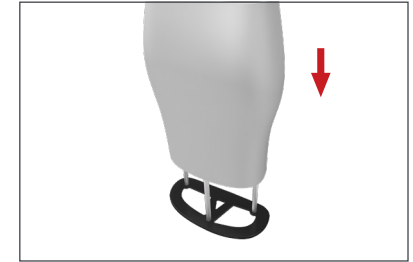
Step 2: Place the 3 poles with the holes facing up.



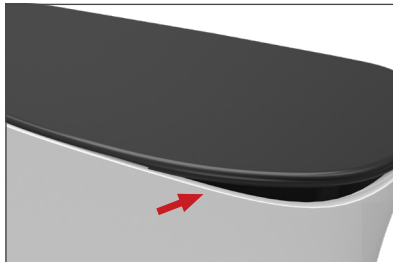
Step 3: Place counter top onto poles. Tap down with hand to secure.



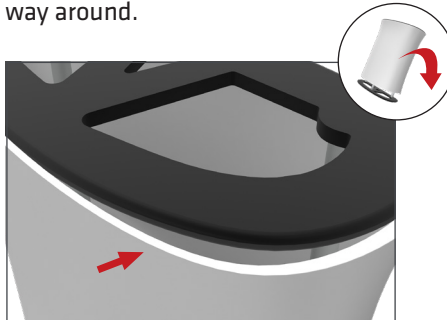
Step 4: Slide fabric graphic wrap onto hardware. Align seam to center of back of counter.



Step 5: Angle and tuck gasket into channel in edge of counter top. Insert graphic gasket all the way around.



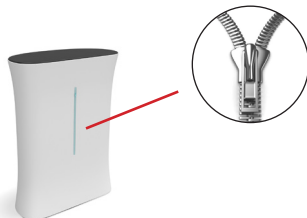
Step 6: Turn counter upside-down. Pull graphic taut and angle and tuck gasket into channel in edge of foot. Insert graphic gasket all the way around.



Step 7: Tap down base with hand to secure. Turn counter back over.



Step 8: Complete.



STORAGE:
The zipper on the back is used to access storage.