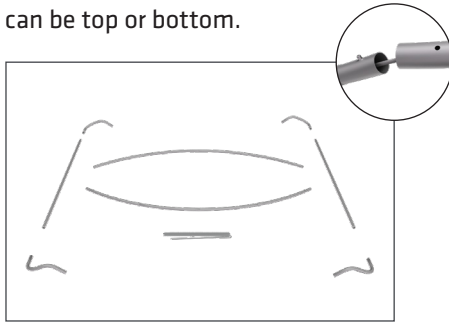


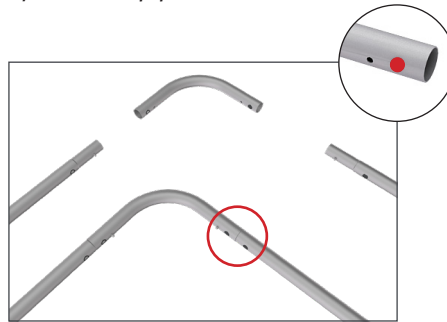
Set Up Instructions

WL-32C

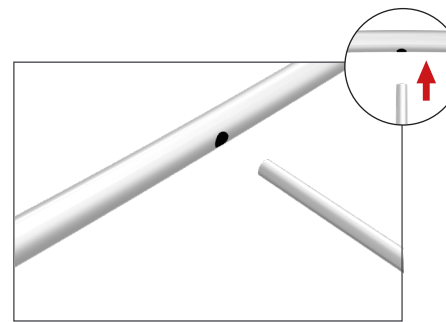
Step 1: Assemble the two long curved and straight sections together. The frame is symmetrical and either of the curved sections can be top or bottom.



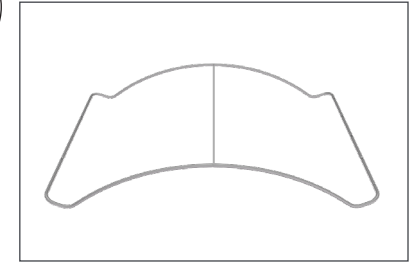
Step 2: Connect all corner sections to curved and straight sections of the frame by matching shape symbols on pipes.



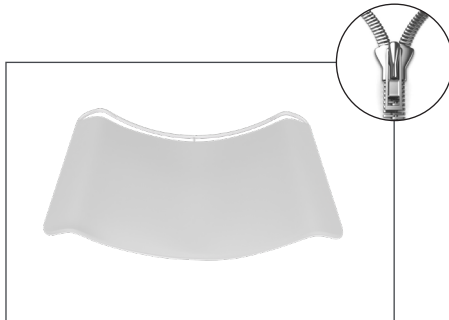
Step 3: Insert center support pole.



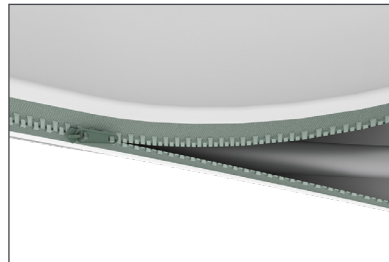
Step 4: Assembled frame shown.



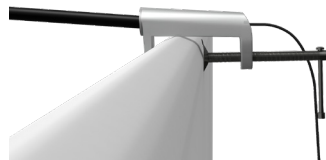
Step 5: Unzip print and lay image face up. Slide print onto frame like a pillow case.



Step 6: Zip the edge of graphic beyond the center point as shown to hold the center pole in place. Zip the remaining side and bottom to meet at the corner.



Step 7: Complete.



LIGHTS:
(OPTIONAL) Position as desired and tighten knob to hold in place.
WARNING! Over tightening may cause damage to fabric image.