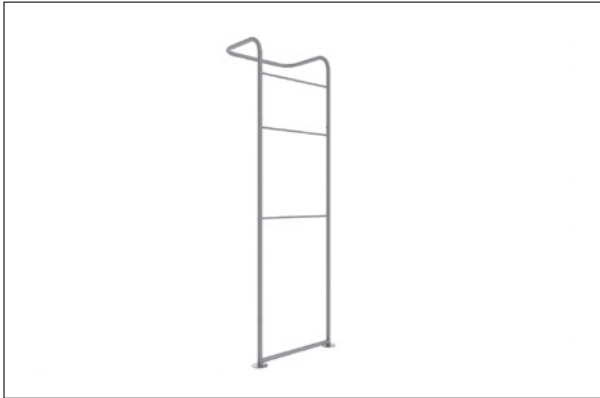


# Set Up Instructions

# WFAXL-MONITOR BRACKET

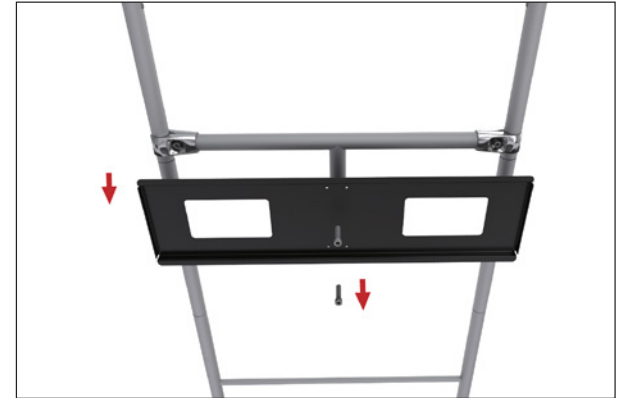
**Step 1:** Follow instructions to prebuild Waterfall frame.



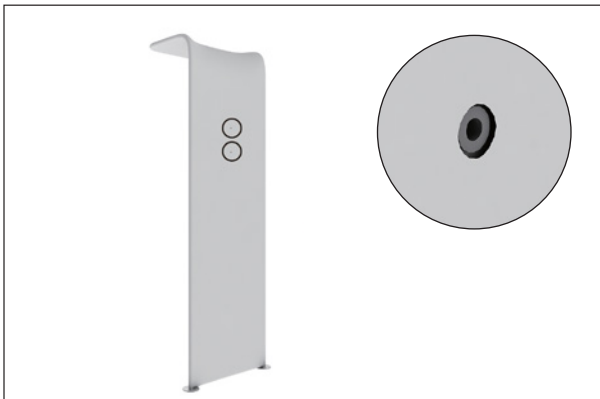
**Step 2:** Attach the horizontal crossbar with the black monitor bracket using the hex bolts and tool. Install at a height that will be suitable for the final monitor position.



**Step 3:** Remove the black monitor bracket from the crossbar.



**Step 4:** Fit the fabric over the completed frame. Locate the screw holes on the horizontal clamp bar (for the monitor bracket to mount) and pierce the fabric to reveal holes.



**Step 5:** Reinstall the black TV bracket.



**Step 6:** Attach brackets to back of monitor with screws. Rubber spacers can be placed between the bracket and the monitor if your the back of the monitor is not flat. Choose the spacer that best fits your need. Position the VESA bracket with the **hook facing down**.



# Set Up Instructions

**Step 7: (A)** Hang the monitor onto base plate to test the positioning. Once position is correct remove monitor and add graphic to frame.



**Step 8: (B)** Hang the monitor again and put in final screws to hold monitor bracket in place.

