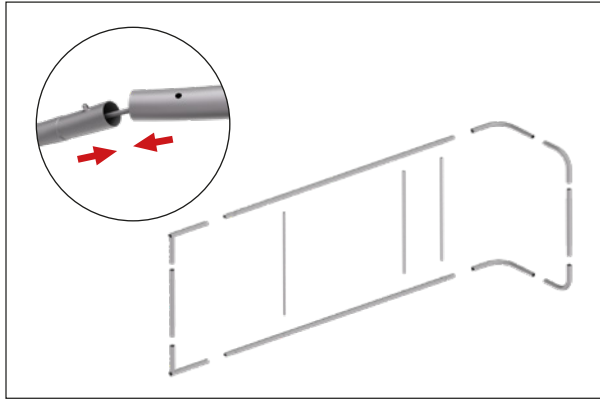


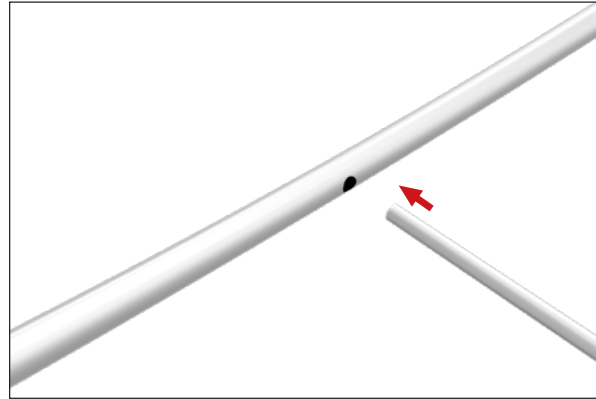
# Set Up Instructions

# WFAXL-HALF-368920

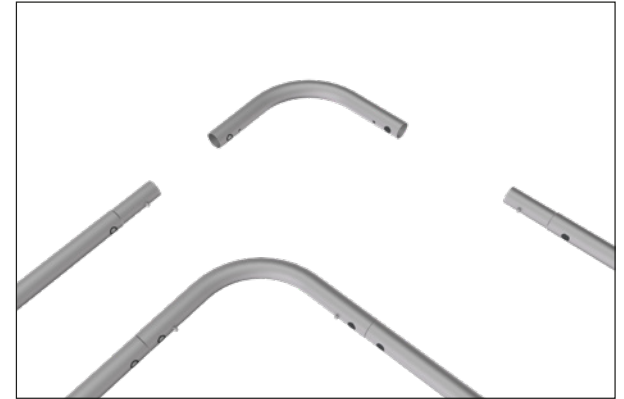
**Step 1:** Assemble each section of the frame by pressing and pushing poles together.



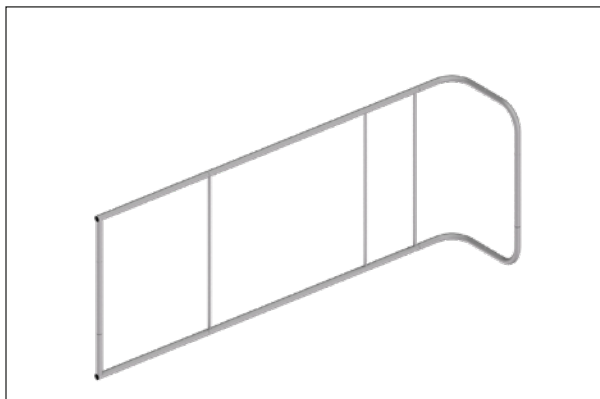
**Step 2:** Insert 3 cross bar support poles.



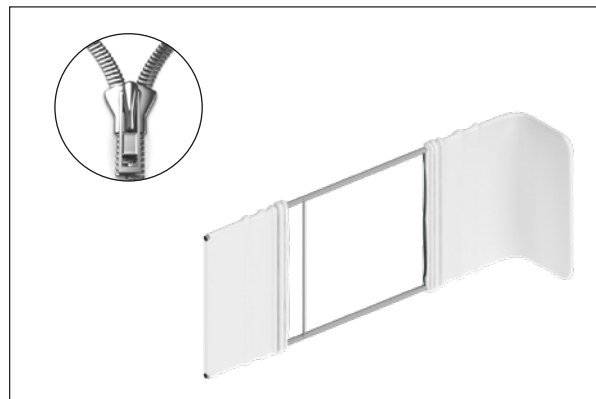
**Step 3:** Connect all corner sections to straight sections of the frame by pressing and pushing poles together.



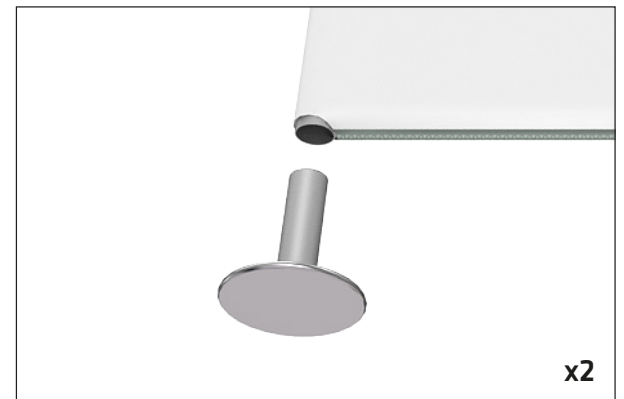
**Step 4:** Frame Complete



**Step 5:** Unzip print and lay image face up. Slide print onto frame like a pillow case. Grip the fabric tightly and stretch around bottom pole to pinch zipper into place. Zip the graphic together for taut finish.



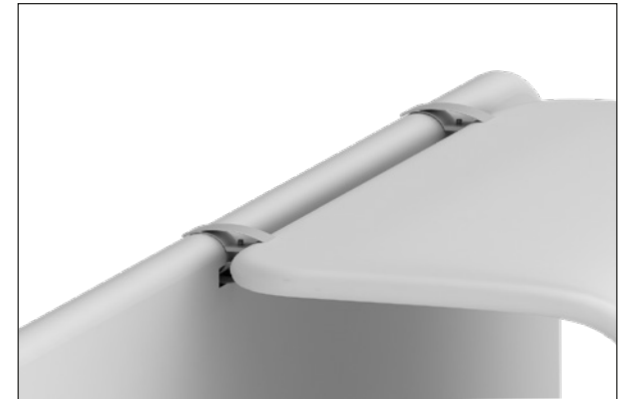
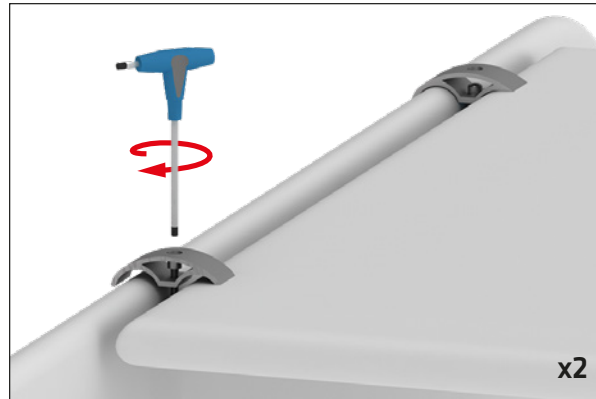
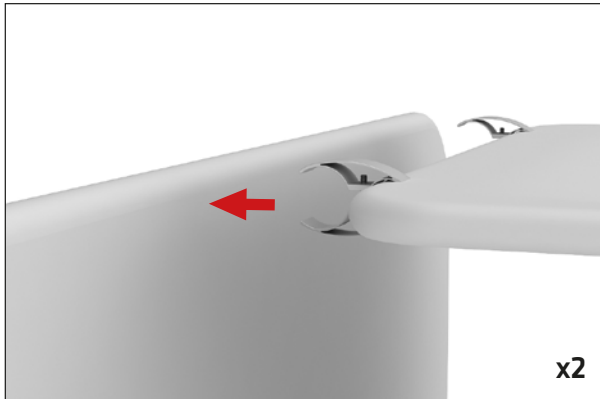
**Step 6:** Insert feet into corners of frame.



## Set Up Instructions

# WFAXL-HALF-368920

**Step 7:** Loosely attach butterfly clips onto the top of Waterfall using the hex tool. Position clips the same distance from each side. Align waterfall with the wall and tighten butterfly clamp down into position.



**SHELVING:** Add shelves to frame. Position and level shelves on frame before tightening clamps down with hex tool.

