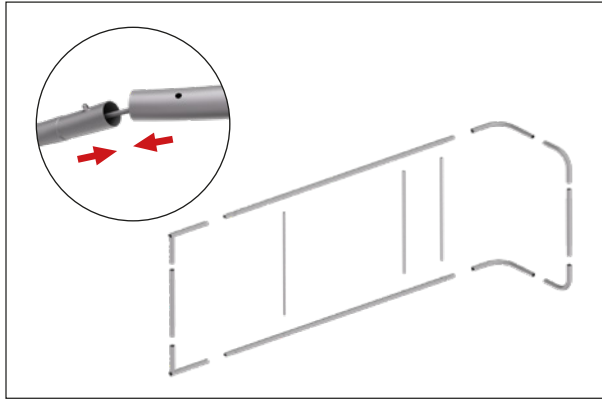


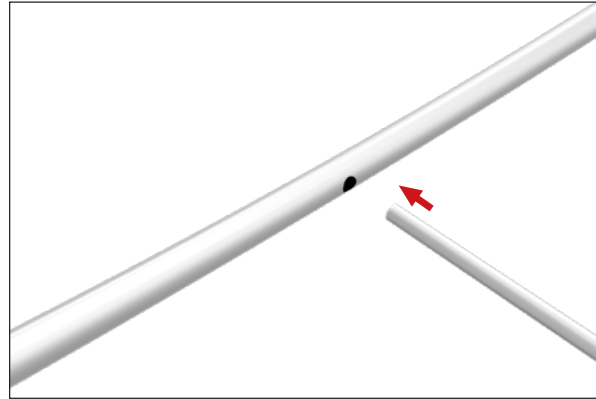
# Set Up Instructions

# WFAXL-FULL-369720

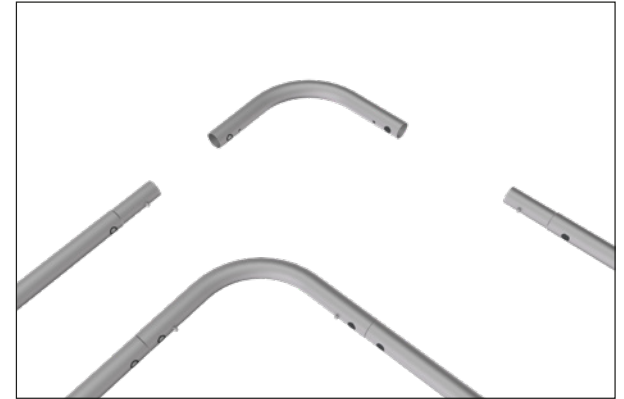
**Step 1:** Assemble each section of the frame by pressing and pushing poles together.



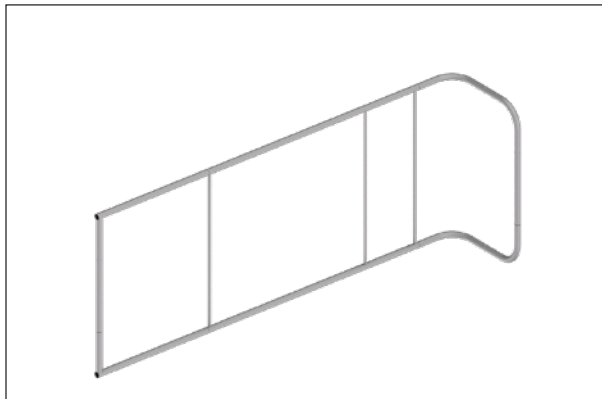
**Step 2:** Insert 3 cross bar support poles.



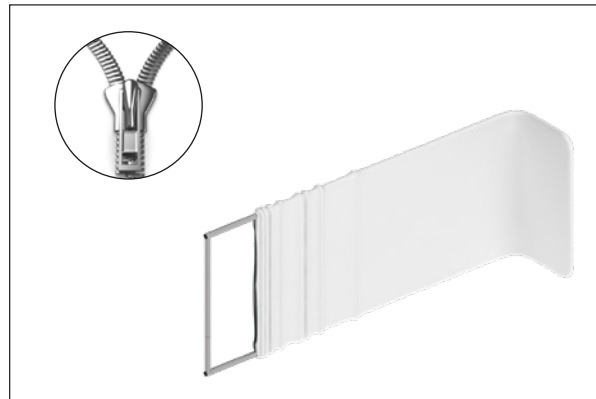
**Step 3:** Connect all corner sections to straight sections of the frame by pressing and pushing poles together.



**Step 4:** Frame Complete



**Step 5:** Unzip print and lay image face up. Slide print onto frame like a pillow case. Grip the fabric tightly and stretch around bottom pole to pinch zipper into place. Zip the graphic together for taut finish.



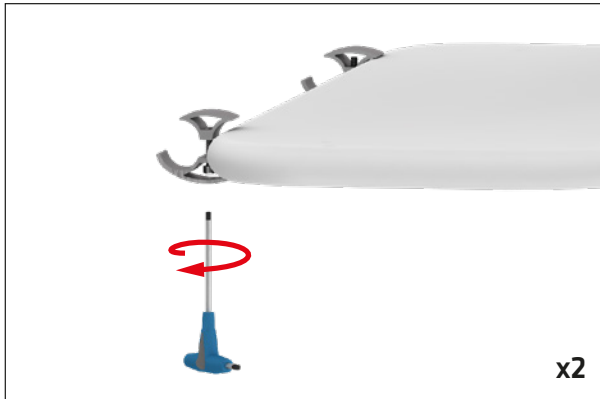
**Step 6:** Insert feet into corners of frame.



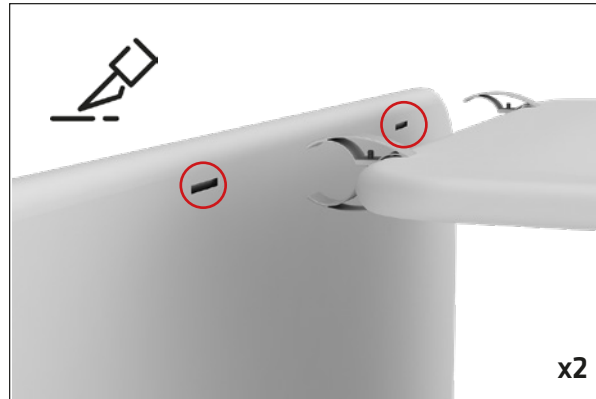
# Set Up Instructions

# WFAXL-FULL-369720

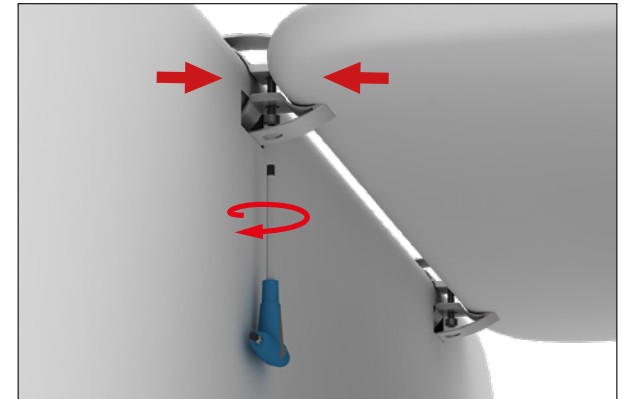
**Step 7:** Attach butterfly clips onto the top of Waterfall using the hex tool. Position clips the same distance from each side.



**Step 8: Important! This step cannot be reversed.** Align waterfall with display into final position. Just below the pipe of the wall make a mark that matches the length of the clip. Cut a small slit into the display wall graphic to allow butterfly clip to be inserted.



**Step 9:** Loosen butterfly clips using the tool and hex bolts and place clips into the cut slits and tighten hex nut. Do not overtighten!



**Step 10:** Complete

