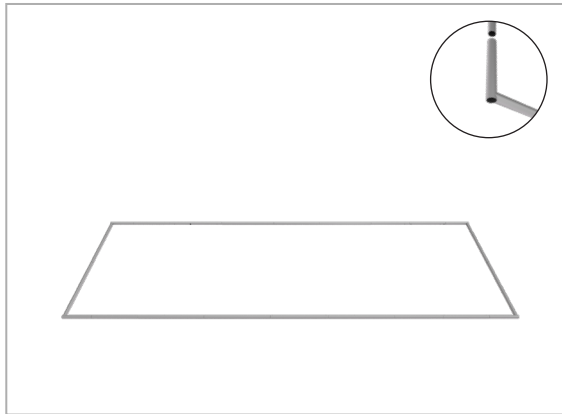


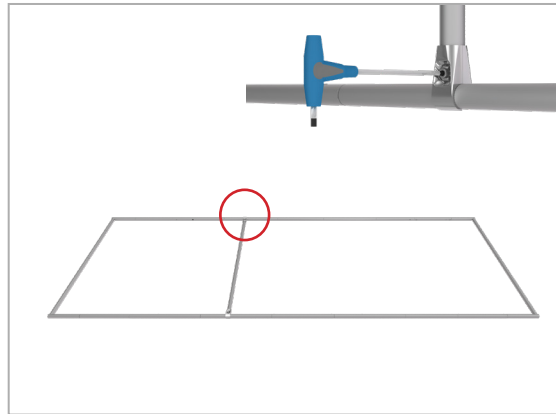
Set Up Instructions

TWT-TRIANGULAR TOWER WITH MONITOR

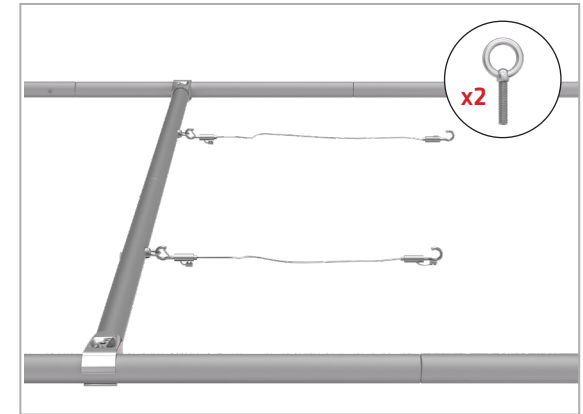
Step 1: Assemble the different flat frame sections by pushing and pulling pipes together. Place open holes in corners facing top and bottom of frame. (x4)



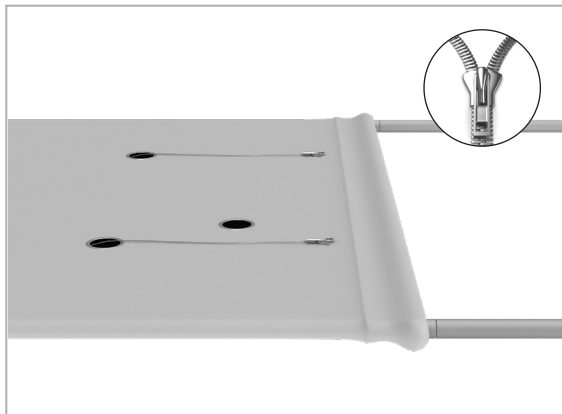
Step 2: Position and level cross bar on frame before tightening clamps down with hex tool.



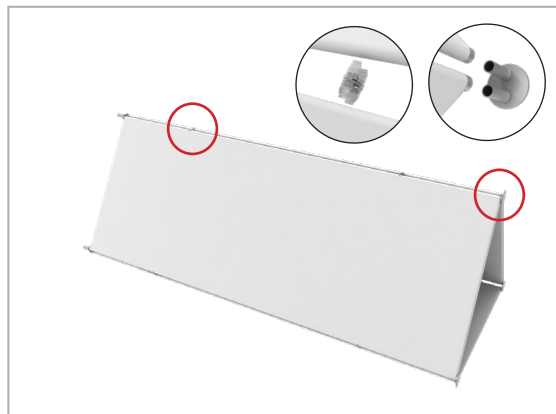
Step 3: Attach eyelets and hanging cables to bottom of cross bar.



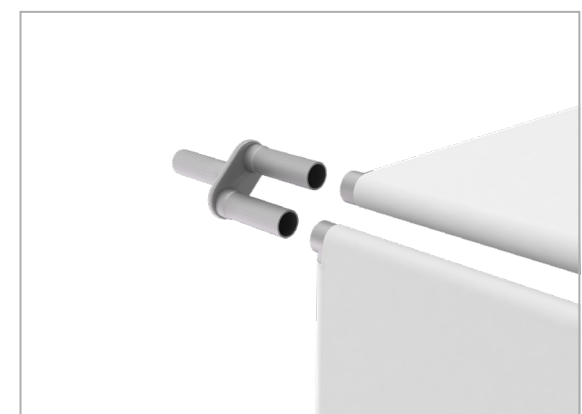
Step 4: Slide graphic over frame and zip closed at bottom. Unzip cable access door and insert hanging cables through grommet holes.



Step 5: Install bottom feet by joining two panels together and inserting dual posts into bottom of frame corners. Install connector clips between panels for stability. (x3)



Step 6: Install top support posts by joining two panels together and inserting dual posts into bottom of frame corners. (x3)

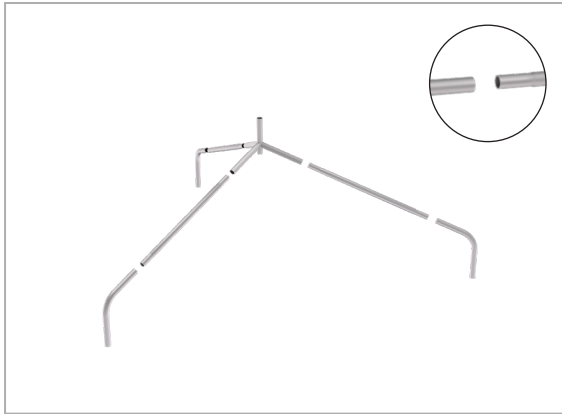


CONTINUED...

Set Up Instructions

TWT-TRIANGULAR TOWER WITH MONITOR

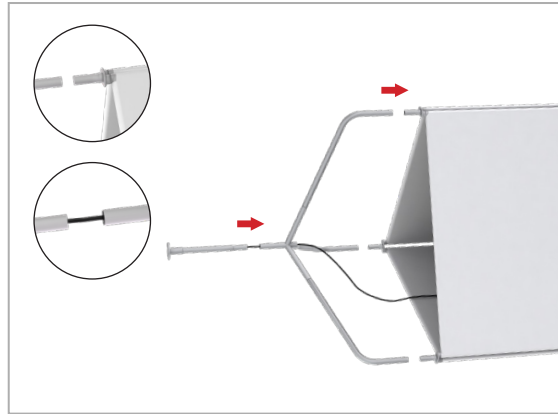
Step 7: Assemble canopy frame by pushing and pulling frames together.



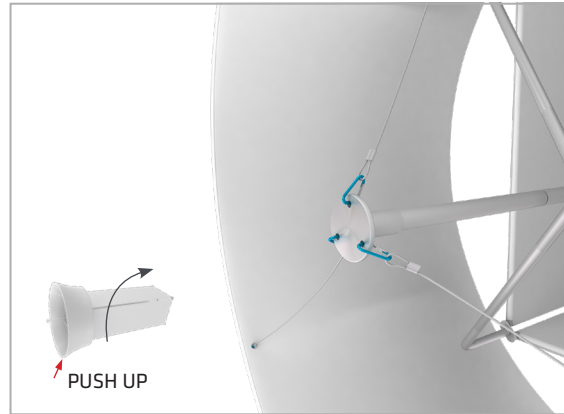
SEE BTT-TAPERED TUBE INSTRUCTIONS FOR TOP HANGING SIGN.



Step 8: Connect canopy frame to the tower. Insert center carousel pole by running the power cord down through the canopy frame center pole and pushing into place.



Step 9: With wall and hanging sign on their sides, attach hanging sign to center carousel pole using cables and clips. Push tower up into position.



CONTINUED...

Set Up Instructions

TWT-TRIANGULAR TOWER WITH MONITOR

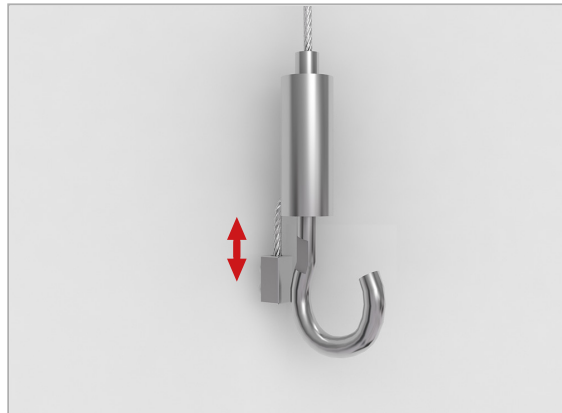
Step 10: Screw VESA eyelets into the desired VESA mounts on back of monitor. Do not over tighten.



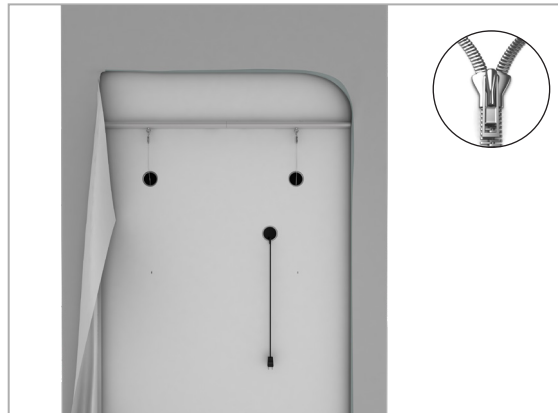
Step 11: Hook cables onto monitor and run power cord down through bottom grommet hole.



Step 12: Adjust hook up by pulling on toggle. Adjust hook down by pushing up barrel to release tension on cable.



Step 13: Thread power cord through bottom grommet and out through bottom of graphic. Zip cable access door closed.



NOTE: Temporarily removing one panel from foot post and releasing connector clips can allow easier access to inside of tower and monitor fabric opening.