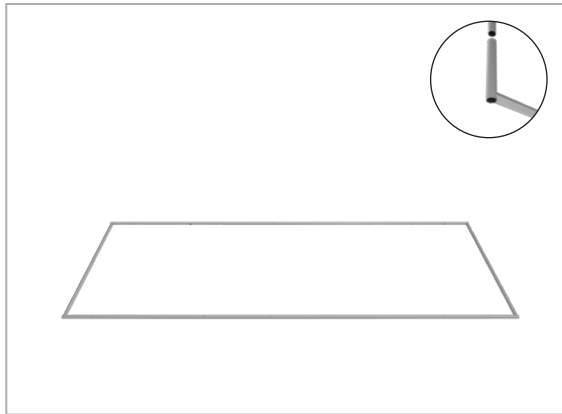


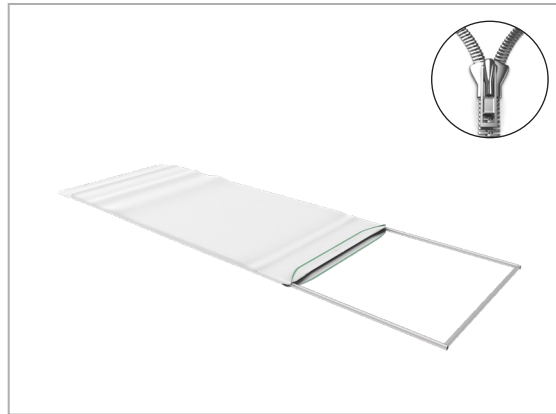
Set Up Instructions

TWT-TRIANGULAR TOWER

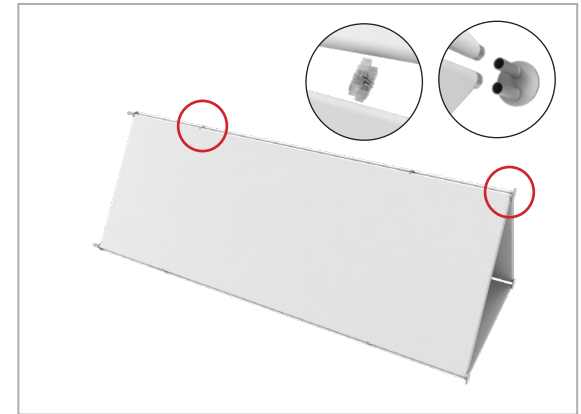
Step 1: Assemble the different flat frame sections by pushing and pulling pipes together. Place open holes in corners facing top and bottom of frame. (x3)



Step 2: Unzip print and lay image face up. Slide print onto frame like a pillow case. Pinch graphic closed at bottom to zip up. (x3)



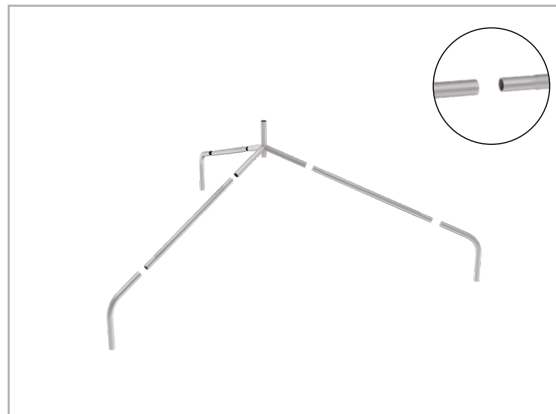
Step 3: Install bottom feet by joining two panels together and inserting dual posts into bottom of frame corners. Install connector clips between panels for stability. (x3)



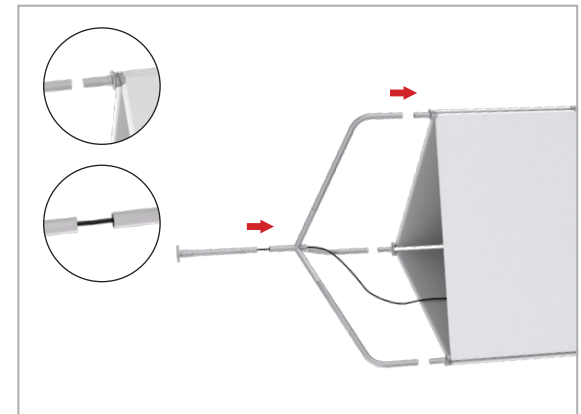
Step 4: Install top support posts by joining two panels together and inserting dual posts into bottom of frame corners. (x3)



Step 5: Assemble canopy frame by pushing and pulling frames together.



Step 6: Connect canopy frame to the tower. Insert center carousel pole by running the power cord down through the canopy frame center pole and pushing into place.



CONTINUED...

Set Up Instructions

TWT-TRIANGULAR TOWER

SEE BTT-TAPERED TUBE INSTRUCTIONS
FOR TOP HANGING SIGN.



Step 7: With wall and hanging sign on their sides, attach hanging sign to center carousel pole using cables and clips. Push tower up into position.

