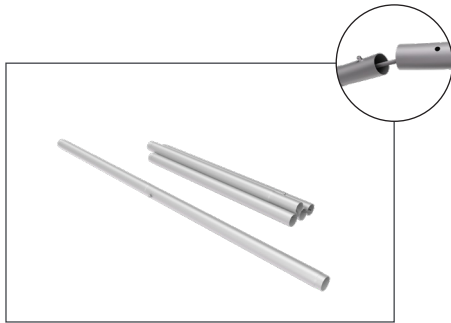


# Set Up Instructions

# TRT-TRIANGULAR TOWER

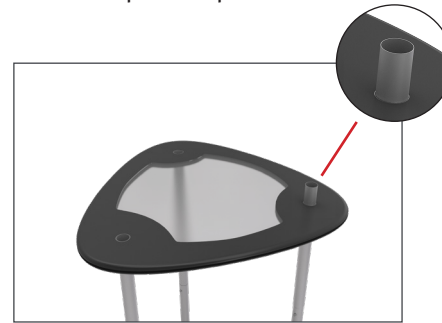
**Step 1:** Remove the counter from the molded soft case. Extend and lock the support poles.



**Step 2:** Place the 3 poles with the holes facing up.



**Step 3:** Place counter top onto poles. Tap down with hand until top rests securely on push buttons and the top of the poles stick out.



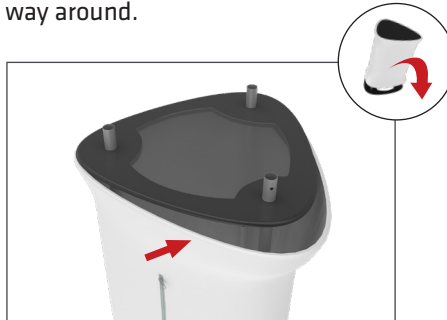
**Step 4:** Slide fabric graphic wrap onto hardware. Center align zipper on back of counter.



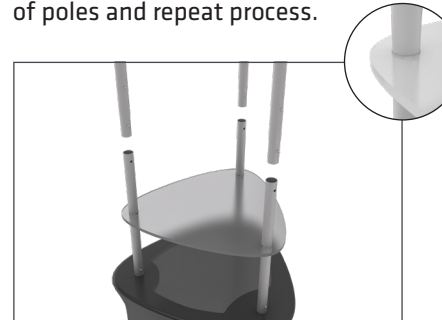
**Step 5:** Angle and tuck gasket into channel in edge of counter top. Insert graphic gasket all the way around.



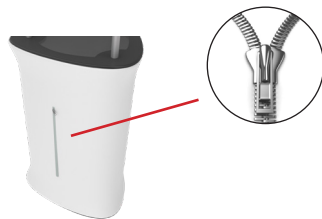
**Step 6:** Turn counter upside-down. Pull graphic taut and angle and tuck gasket into channel in edge of base. Insert graphic gasket all the way around.



**Step 7:** Secure the first two sections of poles into the top. Slide first shelf onto poles until they rest on push button. Insert the next section of poles and repeat process.



**Step 8:** Complete.



**STORAGE:**  
The zipper on the back is used to access storage.