

Set Up Instructions

STDRD-MONITOR STAND

FRAME

Step 1: Assemble 3-part Vertical Supports (A) with plastic grommets facing out.

Step 2: Using the Hand Tool (B), attach the top and bottom Horizontal Supports (C) to the Vertical Supports (A) by turning the screw with the star-shaped hole clockwise.

NOTE: Make sure the thin groove is along the outer edge of each piece so the groove is continuous around the frame.

Step 3: Using the Hand Tool (B), attach the Cross Supports (D) in the same manner at the 2 joints in the Vertical Supports (A).

NOTE: The 3rd Cross Support (D) is included for added support or for use as a spare replacement piece.

GRAPHIC

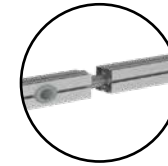
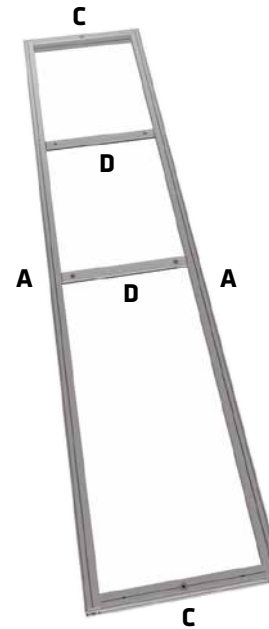
Step 1: Make sure the frame is laying flat on the floor and the star-holed screws are facing down.

Step 2: Start with each corner and attach Fabric (F) by rolling fabric in and pushing the rubber beading into the thin groove along the edge of the frame with your thumb.

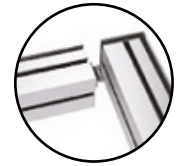
Step 3: After the corners are secured, continue pushing the rubber beading into the groove along the sides, top and bottom of the frame.

NOTE: The corners of the stitching should be at the corners of the frame. Over stretching the fabric will result in uneven bunching of the fabric. Pull the fabric just tight enough to lay flat.

Step 4: insert assembled frame and graphic (with the print facing towards the long side of the base) onto the posts of base.



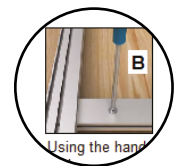
ASSEMBLE
(A) vertical supports



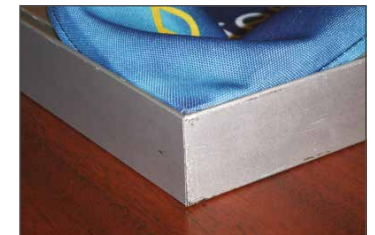
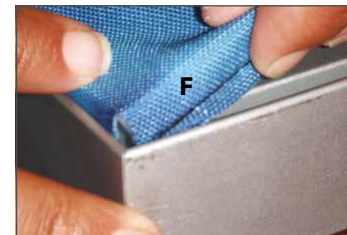
CONNECT
corners together (A/C)



INSERT
(D/A) middle supports



LOCK
(B) with hand tool



Set Up Instructions

STDRD-MONITOR STAND

ATTACHING AND SECURING THE MONITOR

Step 1: VESA Mount. Before attaching your monitor (not included), be sure the top 2 screw holes on the back are 15.75" (400mm) apart.

Step 2: Determine the height you would like your monitor to hang.

NOTE: The holes on the frame will be at the same height as the screw holes on the monitor.

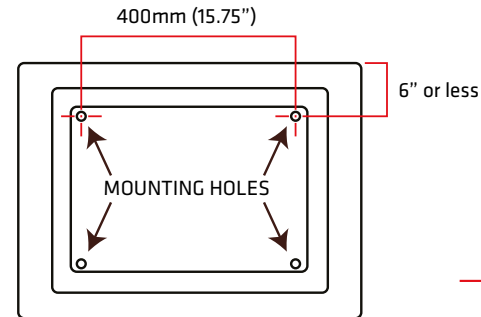
Step 3: Pull the fabric away from the frame at the location of the desired screw hole and attach the Monitor Profile Bar (G) using the T-Bolt and Wing Nut (H).

Step 4: Attach the appropriate T-Bolts (I) into the top screw holes on the monitor and the correspondingly-sized Leveling Bolts (J) into the lower screw holes.

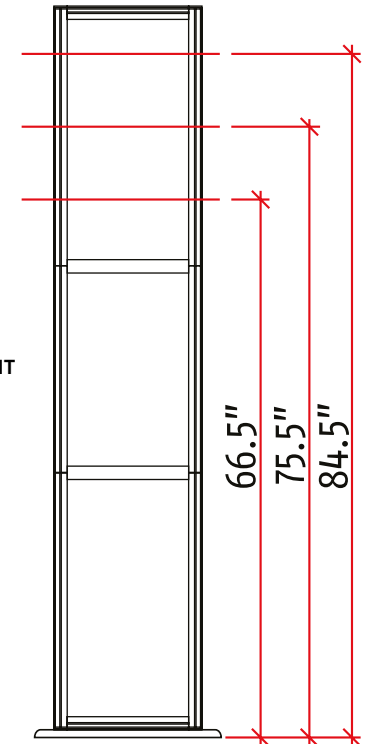
NOTE: The extra sets of bolts are for other mount patterns and will not be needed. Do not screw bolts in too far as it can crack the screen. Most monitors allow for at least 1/4" depth.

Step 5: Attach the monitor by adjusting the hook on one side of the Monitor Profile Bar (G) so the ball is outside the groove allowing the T-Bolts (I) to slide into the groove. Once both bolts are secured in the groove, re-adjust the hooks so the ball is in the groove. This prevents the monitor from sliding off.

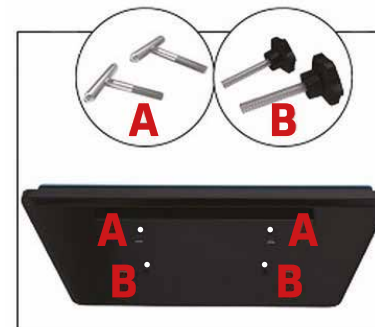
Step 6: Slowly tighten or loosen the Leveling Bolt for Monitor (J) to adjust the angle of the monitor.



STEP 1: VESA MOUNT



STEP 2: MONITOR PLACEMENT



BACK OF MONITOR

STEP 4: BOLT ATTACHMENTS FOR MONITOR

Set Up Instructions

STDRD-MONITOR STAND

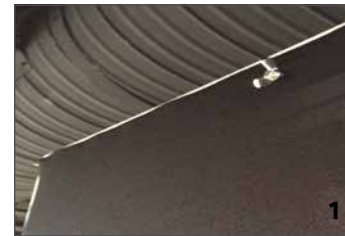
SECURING AND LEVELING THE FRAME

Step 1: Attach the Eye Nut with Wing Bolt (K) through the hole in the center of the top Horizontal Support (C).

Step 2: Attach the Eye Bolt (L) to the base at the screw hole insert located at the back.

Step 3: Connect the Tension Wire (M) - First, the the Carabiner to the top Eye Nut (K) and then the Tension Screw to the Eye Bolt (L) on the base.

Step 4: Turn the middle of the tension screw until the wire is tight and the display frame is level.



ASSEMBLING AND MOUNTING THE HEADER GRAPHIC

Step 1: Connect the tubing segments that are bungee corded together. Each locking push pin should snap in place.

Step 2: The "T" shaped pieces slide into the two holes located closest to the inside of the frame.

Step 3: Unzip the fabric graphic and slide over the tubing frame so the graphic faces forward (convex side).

Step 4: Zip graphic closed around the outside edge making sure that the "T" tubes protrude through the holes on the back (concave side) of the graphic.

Step 5: Slide the angled tube supports onto the ends of the "T" tubes protruding through the graphic and tighten with wing nuts.

Step 6: Slide the angled tube supports into the plastic holes at the top of the frame.

