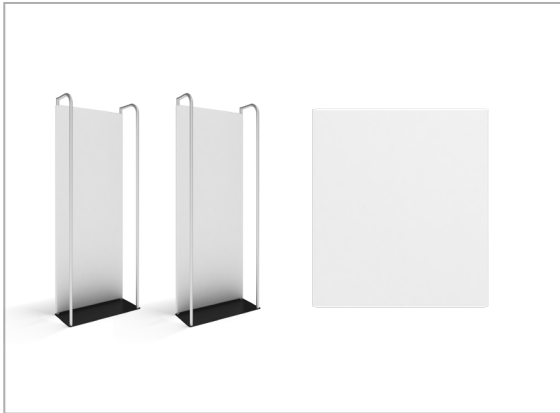


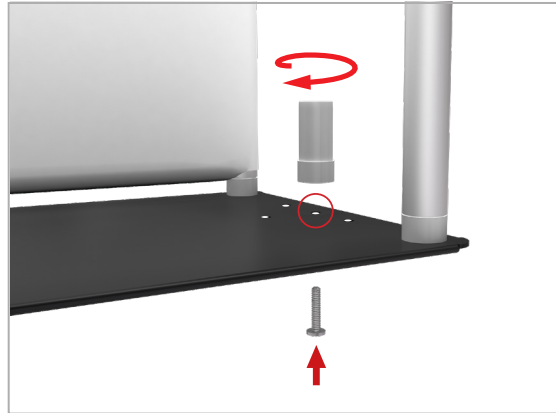
## Set Up Instructions

# MDSR-CURVED CONNECTED WALLS

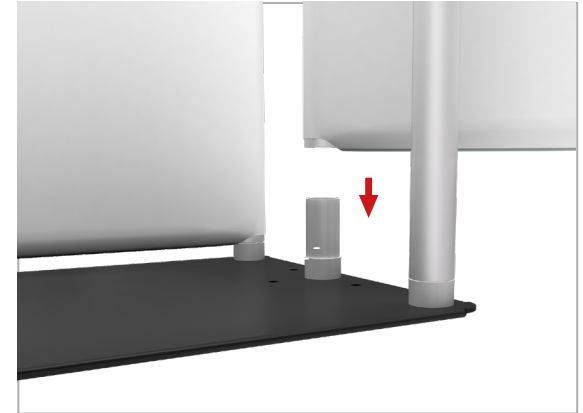
**Step 1:** Follow set up instructions and preassemble basic fabric banner stands with accessories and wall panel(s) - D, E, F or N, that match your kit.



**Step 2:** Assemble post (75) into the outside hole of the two connecting base plates shown in illustration. Screw by hand, turning post to tighten into place.



**Step 3:** Push ends of fabric wall onto posts. Press evenly on both sides to make easier for the frame to go on.



### LIGHTS:

(OPTIONAL) Position as desired and tighten knob to hold in place. **WARNING! Over tightening may cause damage to fabric image.**

