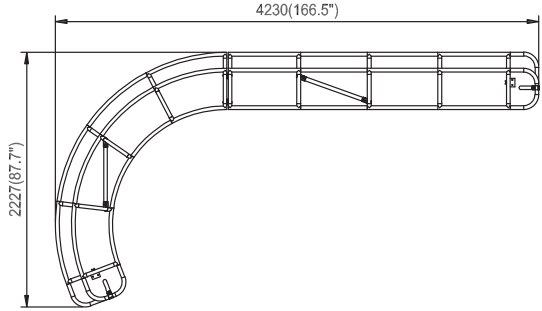
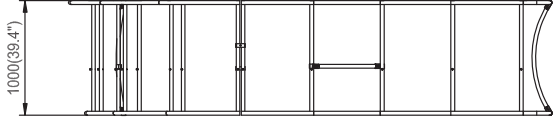
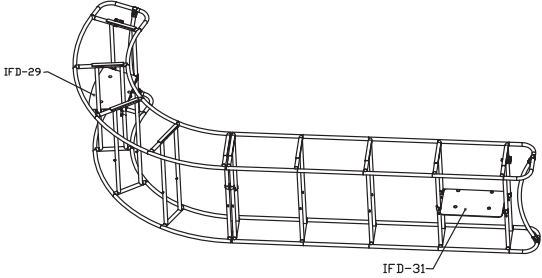
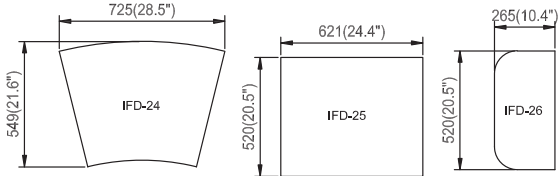
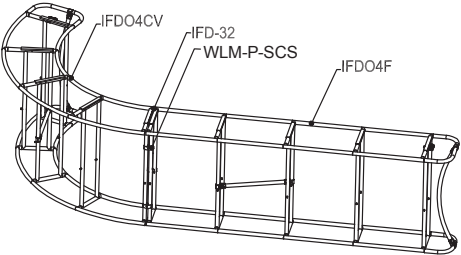


IFD-H-08J



Hardware											Countertop			Graphics		Accessories				Shipping Case			
No.	Quantity	Confirm	No.	Quantity	Confirm	No.	Quantity	Confirm	No.	Quantity	Confirm	No.	Quantity	Confirm		Confirm	No.	Quantity	Confirm	No.	Quantity	Confirm	
IFD04CV	1											Yes / No			Single or Double-sided		IFD-29	1			CA900		
IFD04F	1											IFD-24	4			None		IFD-31	1		CA500		
WLM-P-SCS	2											IFD-25	4			Complete					NYLON BAG		
IFD-32	4											IFD-26	2			Split-ship							

Set Up Instructions

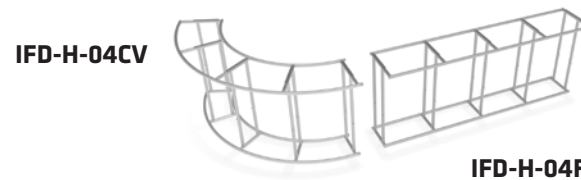
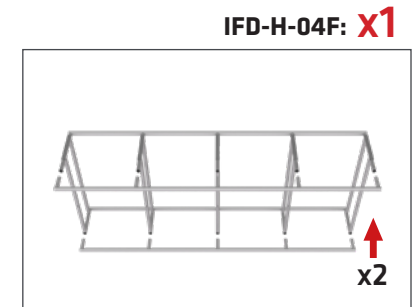
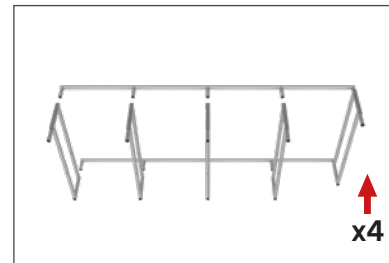
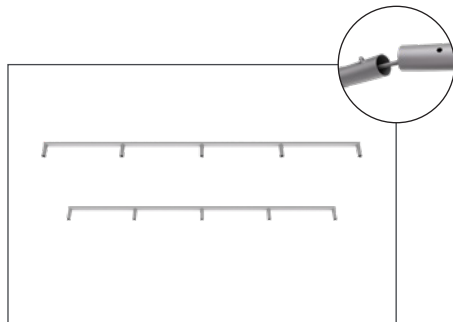
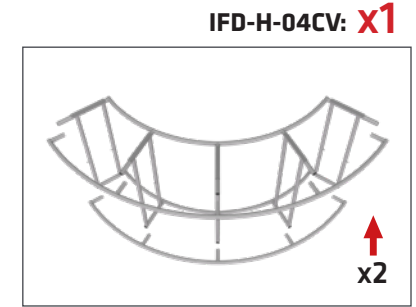
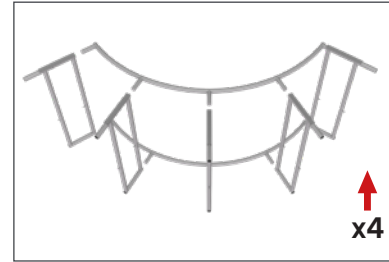
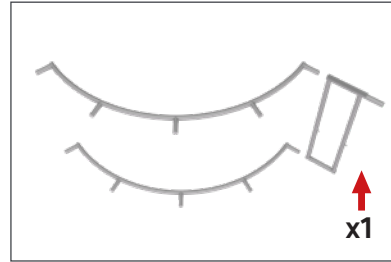
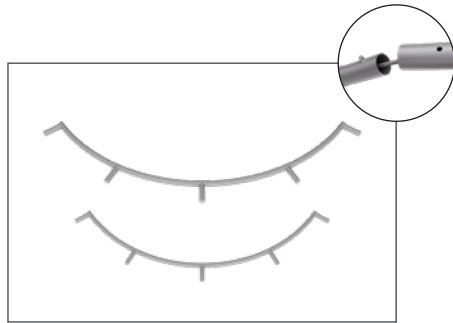
IFD-H-08J

FRAME ASSEMBLY:

Assemble base parts and poles by pressing and pushing together.

*NOT ALL PARTS WILL BE USED:

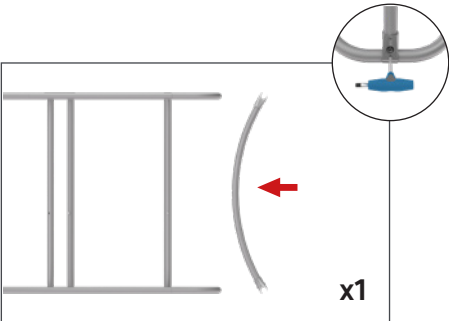
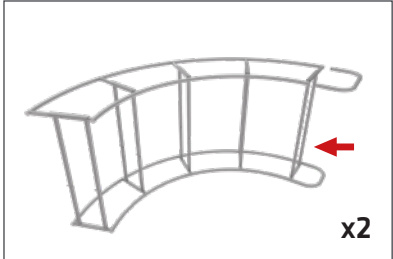
This counter is made from x3 full kits and not all parts will be needed to complete this design.



Set Up Instructions

IFD-H-08J

IFD-H-04CV:
Assemble end cap on right side only. Use hand tool when shown.



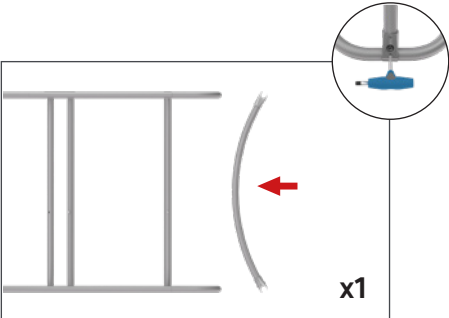
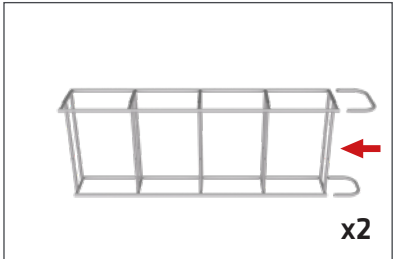
CROSSBAR SUPPORT:
Attach across second opening from the right.



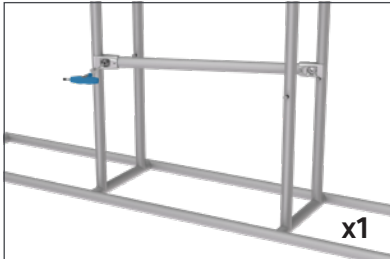
COUNTER TOP SUPPORT:
For leveling end cap counter top.



IFD-H-04F:
Assemble x1 end cap on left side only. Use hand tool when shown.



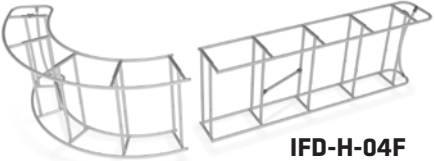
CROSSBAR SUPPORT:
Attach across second opening from the left.



COUNTER TOP SUPPORT:
For leveling end cap counter top.



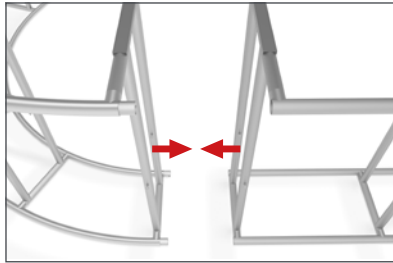
IFD-H-04CV



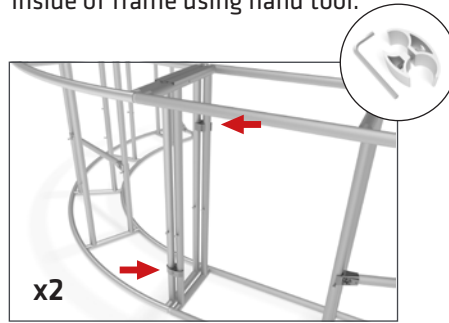
Set Up Instructions

IFD-H-08J

CONNECT FRAMES TOGETHER:
Connect x3 frames together with x2 butterfly clips (WLM-P-SCS) per



frame connection. Attach one clip to outside of frames and one clip to inside of frame using hand tool.

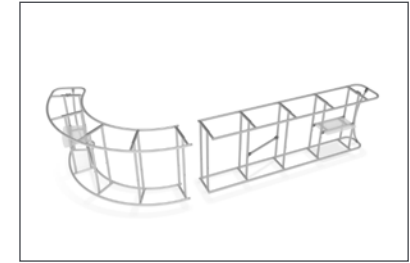


WLM-P-SCS

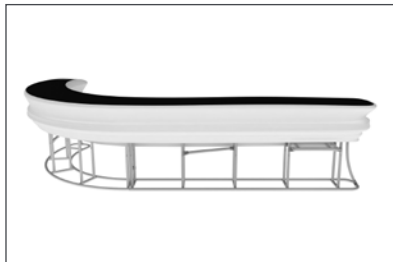
SHELVES:
(OPTIONAL) To add shelves to frame, position and level shelf on



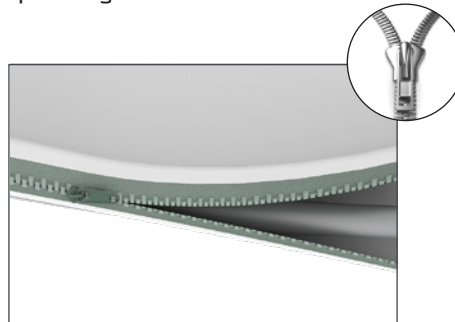
frame before tightening clamps down with hex tool.



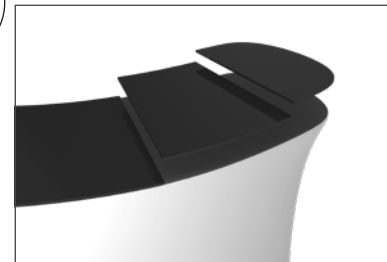
GRAPHIC INSTALL:
Step 1: Unzip print and slide print onto frame like a pillow case.



Step 2: Grip the fabric tightly and stretch around bottom of desk to pinch zipper into place. Zip the print together for taut finish.



Step 3: Attach countertop panels to fabric counter with Velcro. Start at one end and work your way across to the other side.



Step 4: Join counter top panels together front and back with black push-on clamps.

