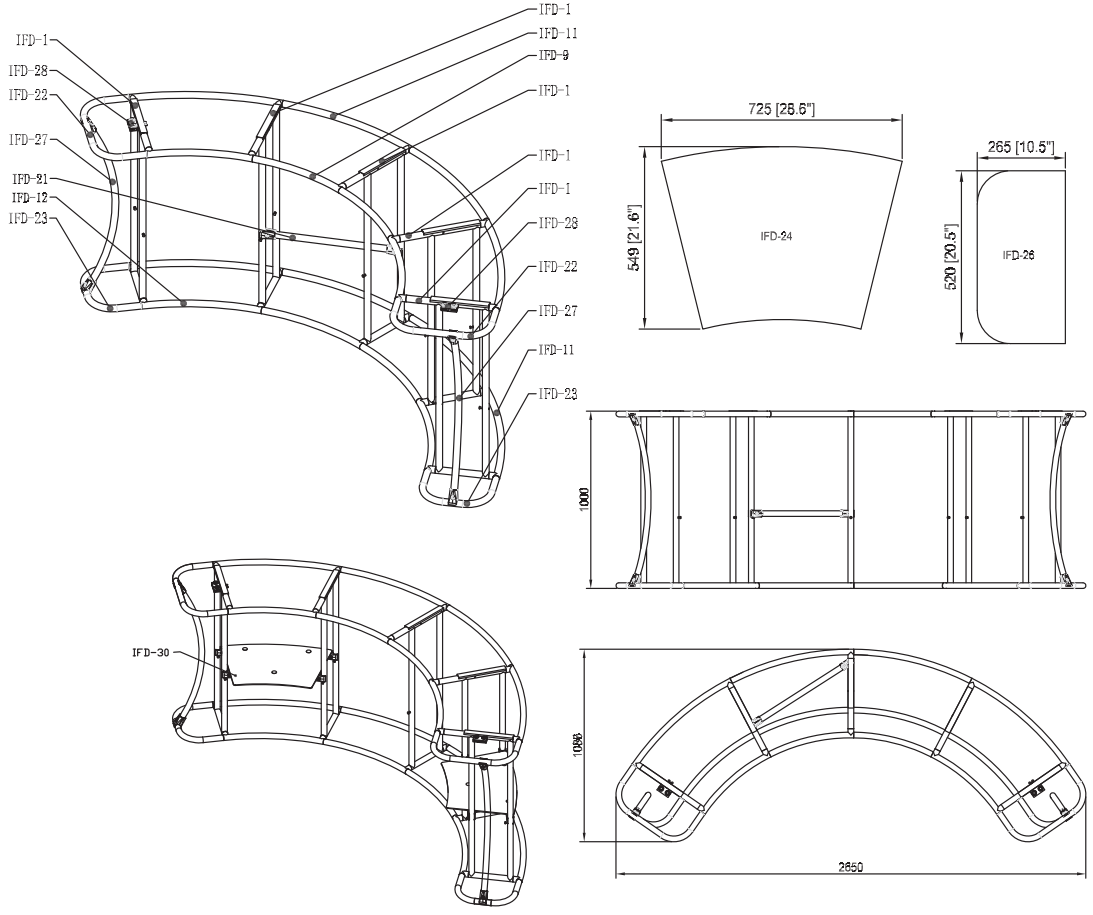


# IFD-H-04CI

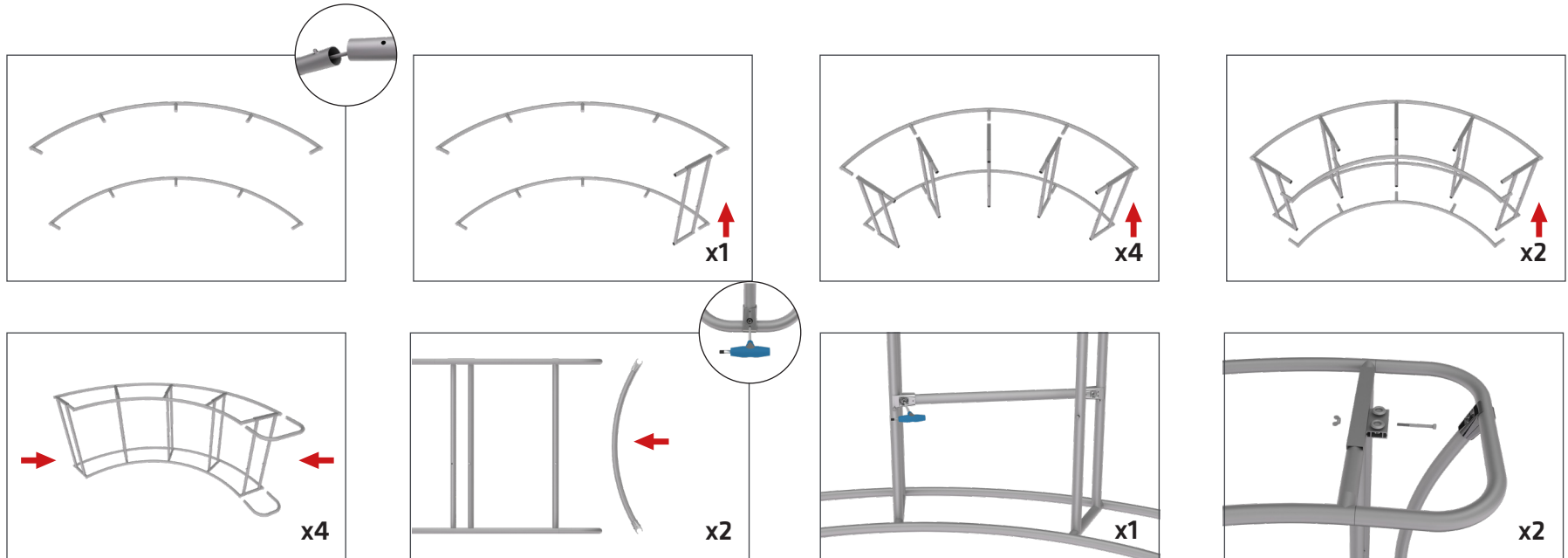


Hardware									Countertop			Graphics		Accessories			Shipping Case					
IFD-1	5		IFD-22	2								Yes / No		Single or Double-sided		IFD-30	2		CA900			
IFD-9	1		IFD-23	2								IFD-24	4		None				CA500			
IFD-11	2		IFD-27	2								IFD-26	2		Complete				NYLON BAG			
IFD-12	1		IFD-28	2											Split-ship							
IFD-21	1																					
No.	Quantity	Confirm	No.	Quantity	Confirm	No.	Quantity	Confirm	No.	Quantity	Confirm	No.	Quantity	Confirm		Confirm	No.	Quantity	Confirm	No.	Quantity	Confirm

# Set Up Instructions

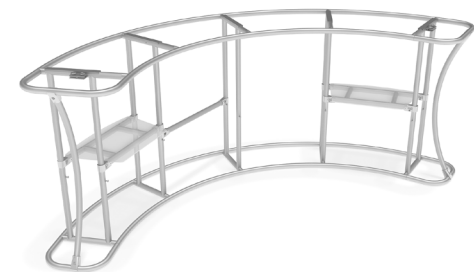
# IFD-H-04CI HARDWARE

**Step 1:** Assemble base parts and poles by pressing and pushing together. Use hand tool when shown.



**SHELVES:**  
(OPTIONAL) To add shelves to frame, position and level shelf on frame before tightening clamps down with hex tool.

\*Shelves will only fit on the two outermost interior frame sections.



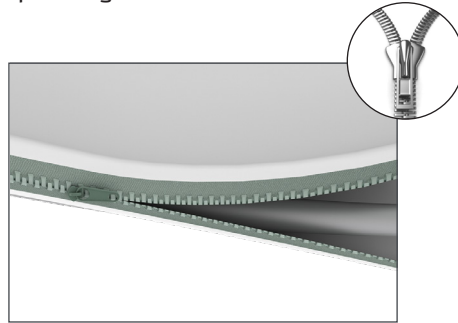
# Set Up Instructions

# IFD-H-04CI GRAPHIC & COUNTER TOP

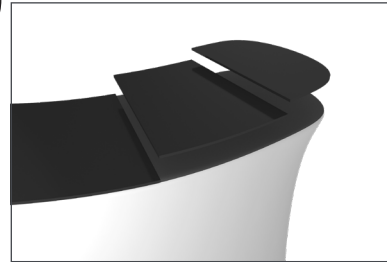
**Step 1:** Unzip print and slide print onto frame like a pillow case.



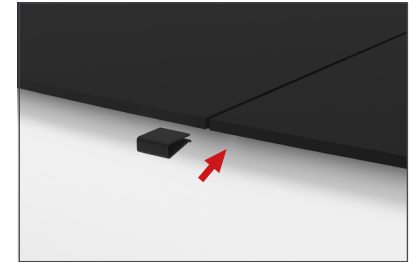
**Step 2:** Grip the fabric tightly and stretch around bottom of desk to pinch zipper into place. Zip the print together for taut finish.



**Step 3:** Attach countertop panels to fabric counter with Velcro. Start at one end and work your way across to the other side.



**Step 4:** Join counter top panels together front and back with black push-on clamps.



**STORAGE ZIPPER:**  
(OPTIONAL) Zipper access to shelving and storage.

