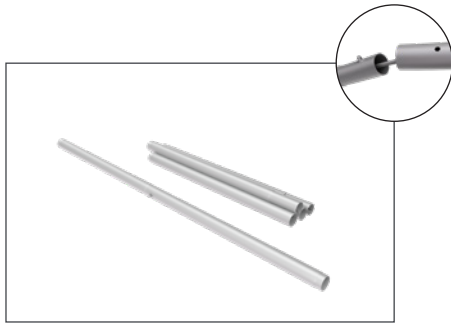


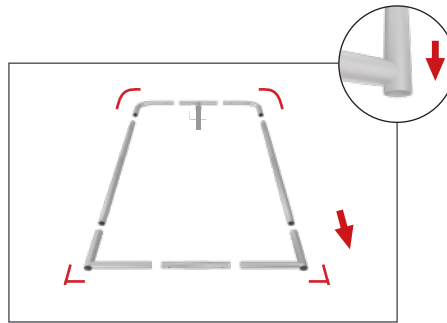
# Set Up Instructions

# HSSA-H-2460F (100ml)

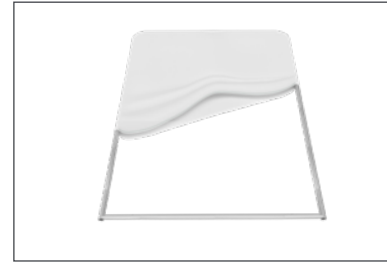
**Step 1:** Assemble straight poles by pressing and pushing together.



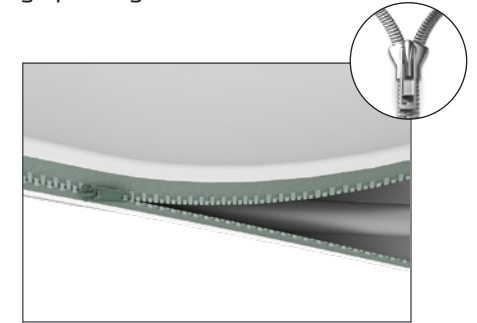
**Step 2:** Connect all corner sections to straight sections. Face holes of 90° corners towards the bottom of frame.



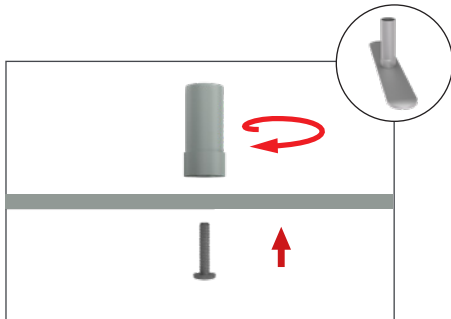
**Step 3:** Unzip print and lay image face up. Slide print onto frame like a pillow case.



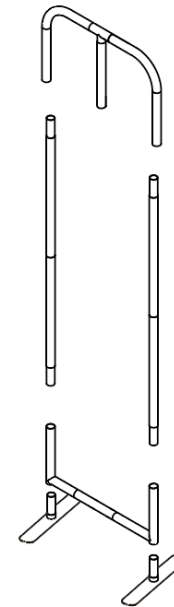
**Step 4:** Grip the fabric tightly and stretch around bottom pole to pinch zipper into place. Zip the graphic together for taut finish.



**Step 5:** Assemble post (75) into base plate or optional feet with screw by hand turning post and tightening into place.



**Step 6:** Push banner stand frame onto posts of flat base or optional feet. Press evenly on both sides to make easier for the frame to go on.

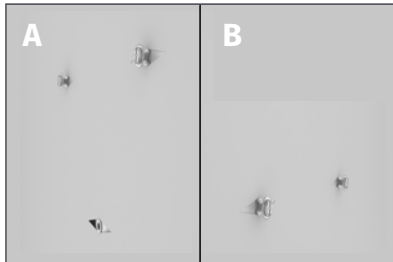


# Set Up Instructions

# HSSA-H-B/W2460 (1000ml)

**Step 7:** Find the screw holes on mounting plate and cut a small X over each to reveal.

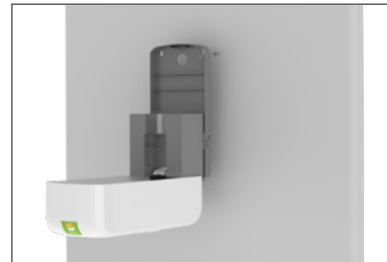
- Model 1:** A - 2 holes on top & center
- Model 2:** B - 2 holes on bottom



**Step 8:** To open cover, use small opening tool included and press into the holes on top of the dispenser.

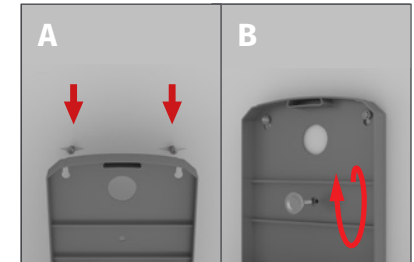


**Step 9:** Remove thumb screw and install dispenser onto posts.

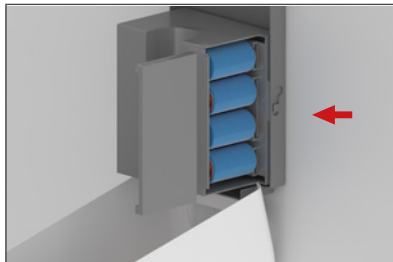


**Step 10:** Install thumbscrew and tighten.

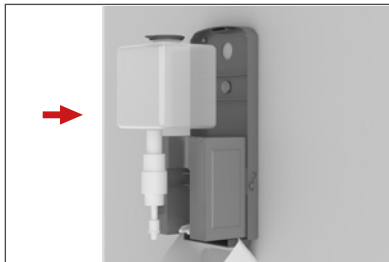
- Model 1:** A + B
- Model 2:** A only



**Step 11:** Install x4 C Batteries (not included)



**Step 12:** Press sanitizer gel tank in place.



**Step 13:** Remove cap and add sanitizer gel. replace cap when finished.



**Step 14:** Close cover.

