

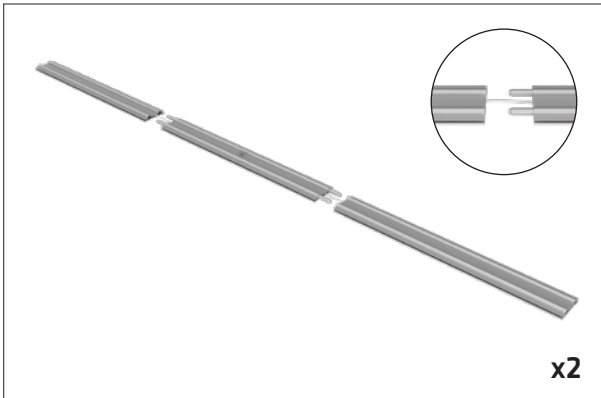
Set Up Instructions

DFW-1400L

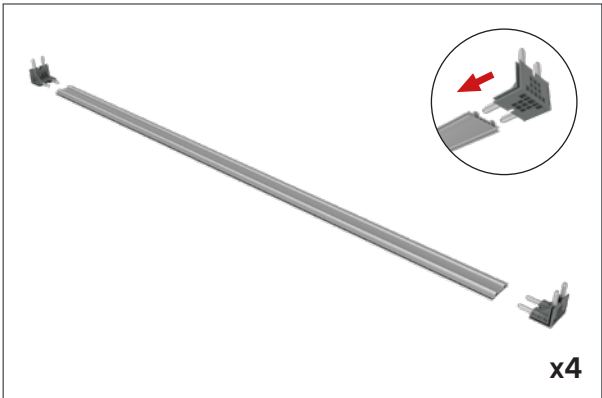
Step 1: Open soft molded case and remove x2 vertical side frames with lights.



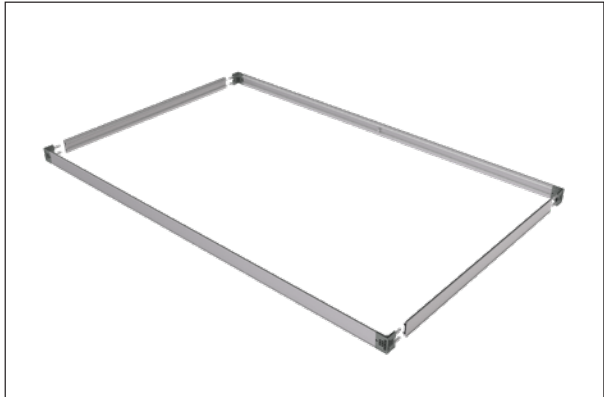
Step 2: Push sections together to complete each vertical side frame.



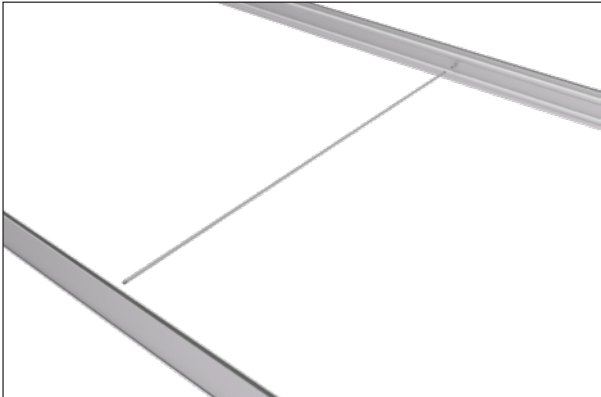
Step 3: Add 4 corners to the two vertical side frames.



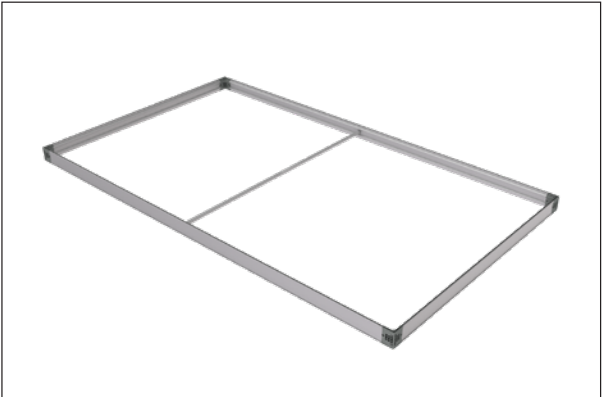
Step 4: Join the 2 vertical side frames to top and bottom horizontal frames.



Step 5: Insert center support pole into center of vertical side frames.



Place frame on top of ground cloth before moving forward and installing graphics.

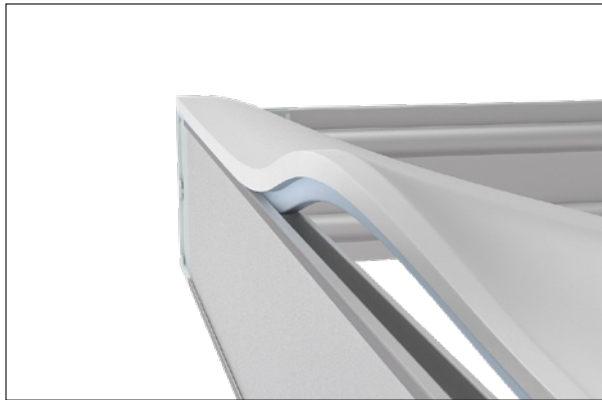


Set Up Instructions

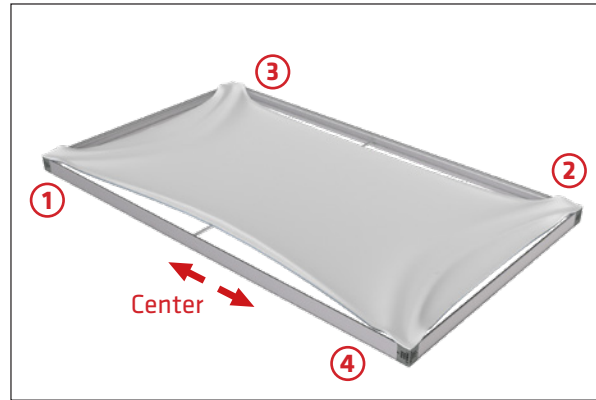
DFW-1400L

Step 6: To install a graphic start by inserting one eSEG™ Fabric Print into 4 corners of frame by pressing silicone into frame edge.

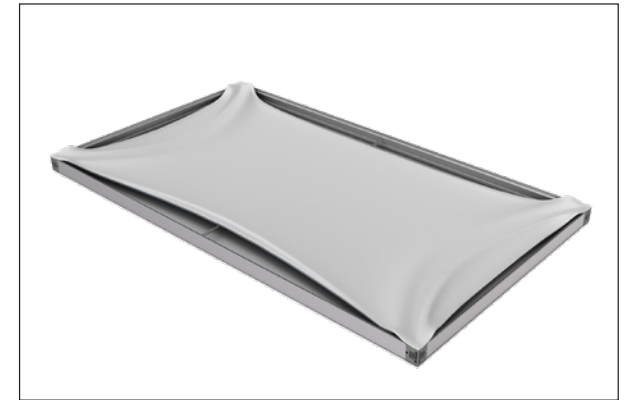
The fabric stretches on a diagonal and is easier to install by following Step 7.



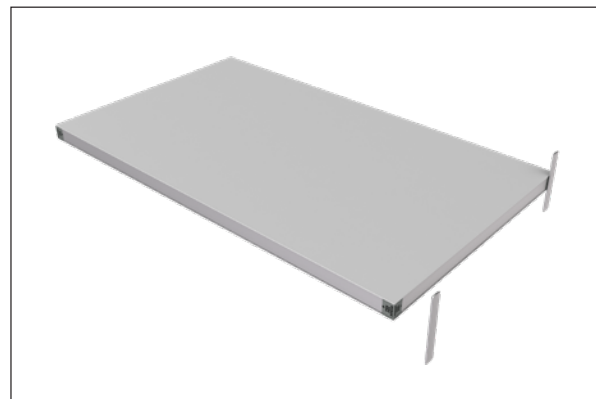
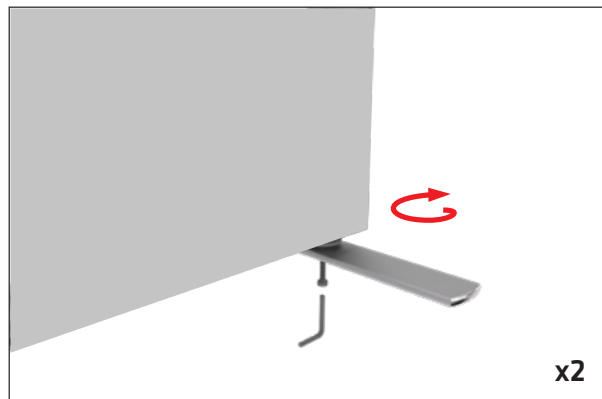
Step 7: Start in top corner (1) and then insert graphic into opposite bottom corner (2). Repeat on other side (3) and then (4). Then insert the graphic into center of each side and work back toward the corners.



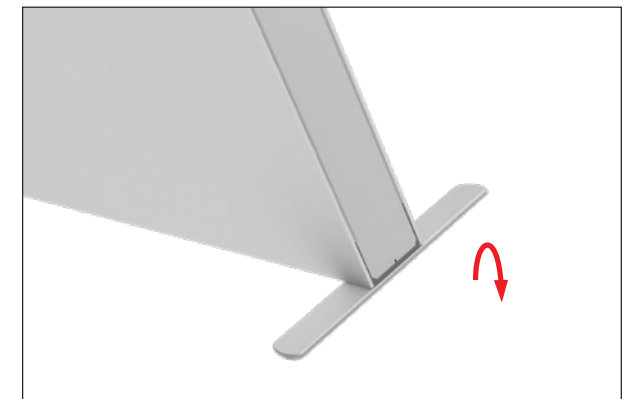
Step 8: Repeat Step 6-7 for the reverse side of frame.



Step 9: Screw feet into 2 bottom corners using hex tool provided.



Step 10: Stand into upright position using one person on each side to lift display.



Set Up Instructions

DFW-1400L

OPTIONAL: Unroll frame covers and slide them into the groove of the frame from top to bottom. For use with one stand or on the outer two edges of multiple stands when connected together.



OPTIONAL: Connect frames together using u-clamp to create a continuous wall.

