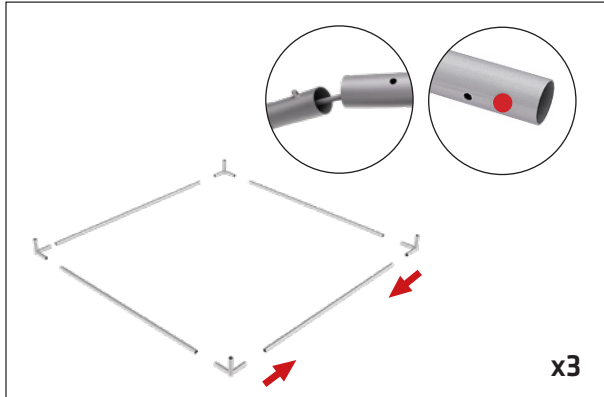


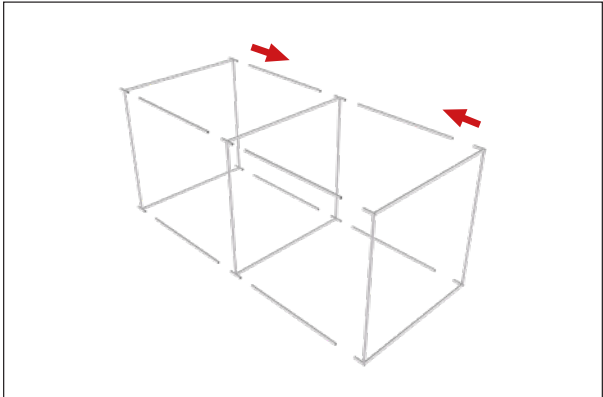
Set Up Instructions

BLIMP-SSRT

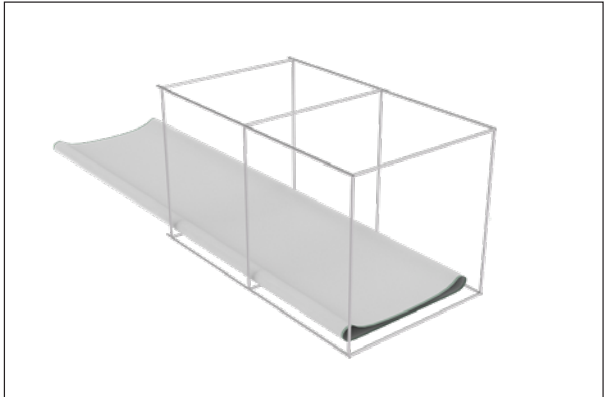
Step 1: Assemble the square frame sections of the tower by pushing and pulling pipes together. Connect all corner sections to longer sections of the frame by matching shape symbols on pipes.



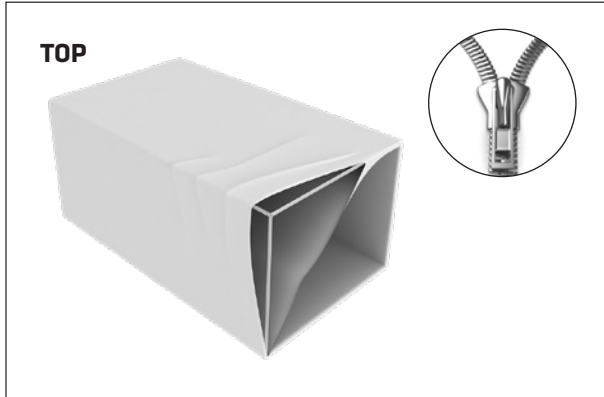
Step 2: Assemble and install the x8 vertical support poles to connect the bottom, center and top squares.



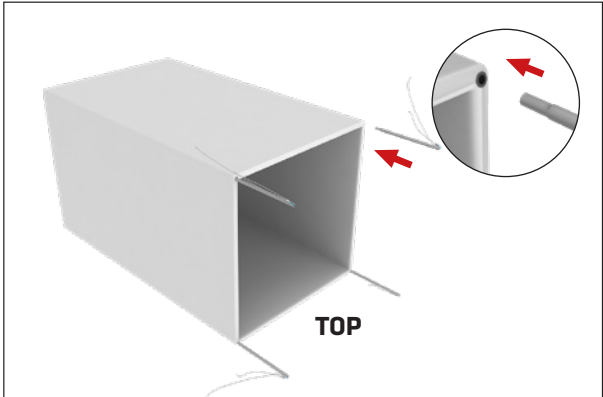
Step 3: Unfold fabric graphic and prepare to slide over frame with zipper on bottom.



Step 4: Slide graphic over frame and zip closed at bottom. **Important! Line up holes in top of frame with holes in graphic.**



Step 5: Insert x4 short support poles into top of frame.



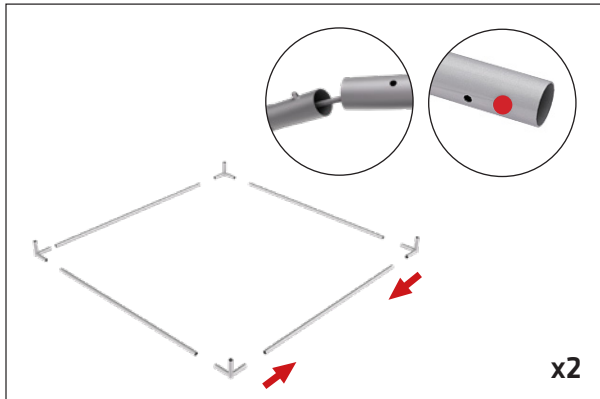
Step 6: Connect x1 of each length of cable to each pole using a carabiner. There should be x2 carabiners and cables on each pole to complete.



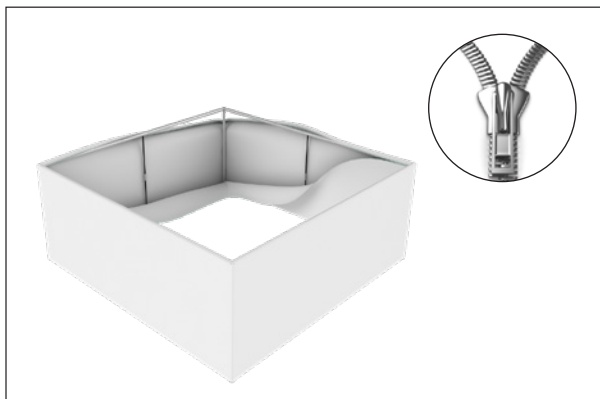
Set Up Instructions

BLIMP-SSRT

Step 7: Assemble the top and bottom square frame sections of the hanging blimp by pushing and pulling pipes together. Connect all corner sections to longer sections of the frame by matching shape symbols on pipes.

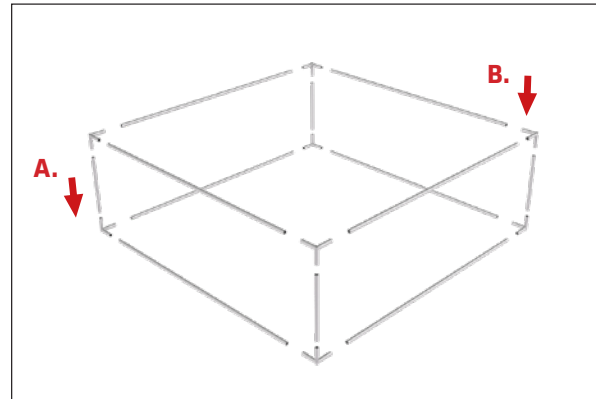


Step 10: Unzip print and place one frame inside. Position holes on frame to align with eyelets in graphic. Zip graphic closed around top of frame.

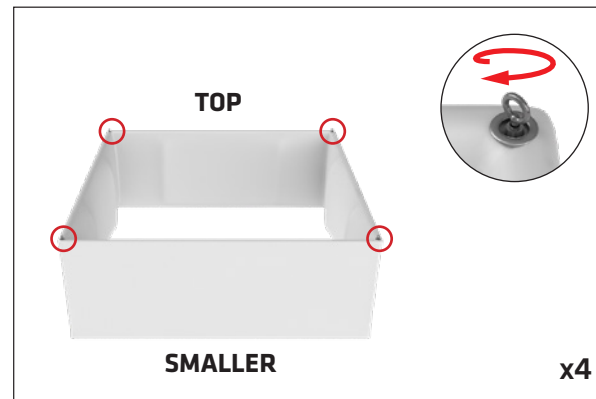


Step 8: A. Push the 4 vertical into the bottom 4 corners of the frame. **B.** Push top of frame over x4 support poles to complete frame assembly.

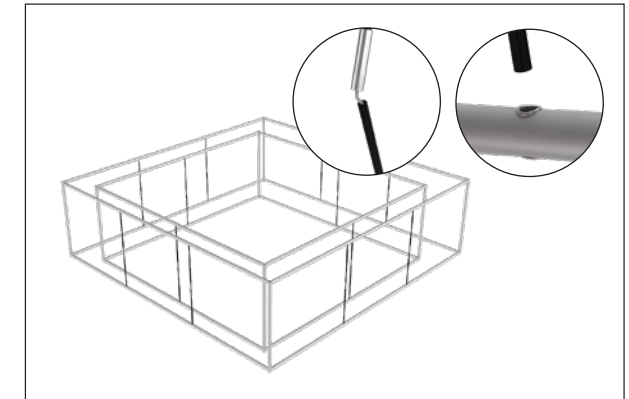
Repeat to complete second frame.



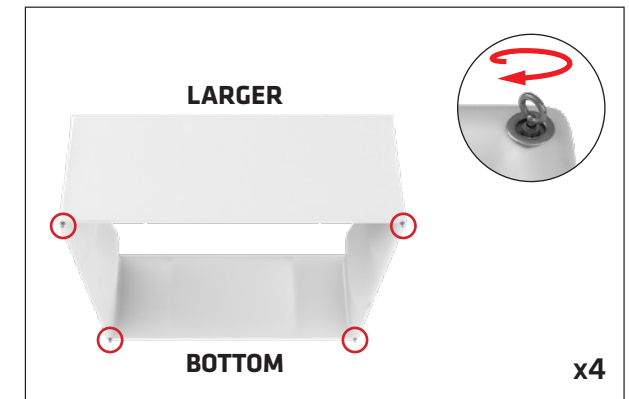
Step 11: Attach eyebolts to the **top** of the smaller hanging sign by screwing them lock into the 4 corners.



Step 9: Push all support poles into the into black grommets on the top and bottom of frame.



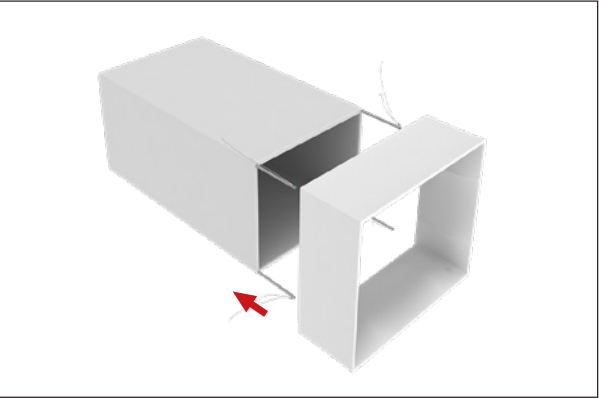
Step 12: Attach eyebolts to the **bottom** of the larger hanging sign by screwing them lock into the 4 corners.



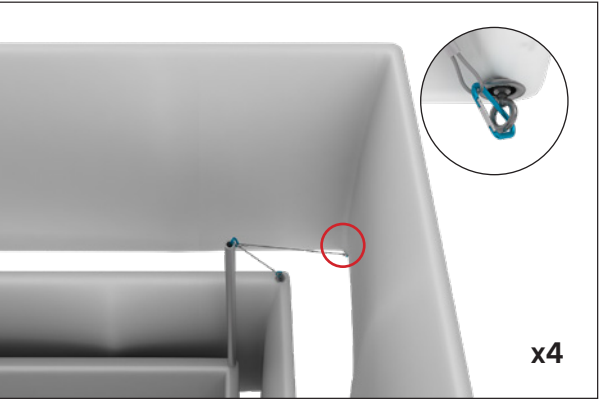
Set Up Instructions

BLIMP-SSRT

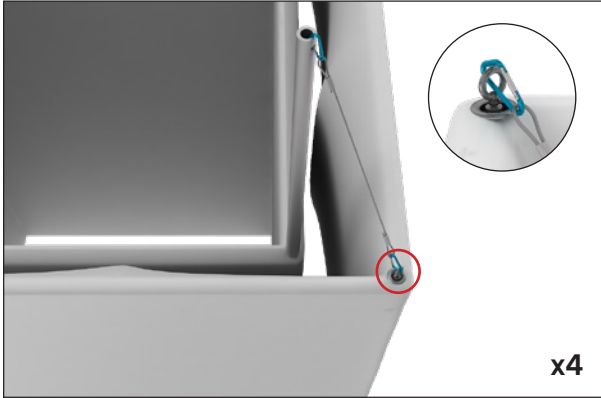
Step 13: Turn hanging Blimps on their side and slide smaller hanging sign into place with eyebolts on top. Keep cables free and out of the way.



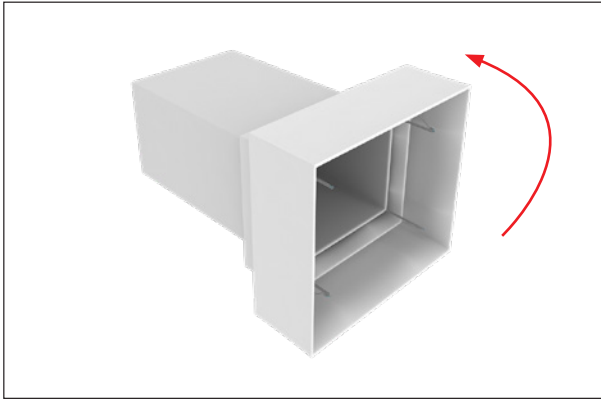
Step 16: Attach the longer hanging cables to the eyebolts on bottom of the hanging sign.



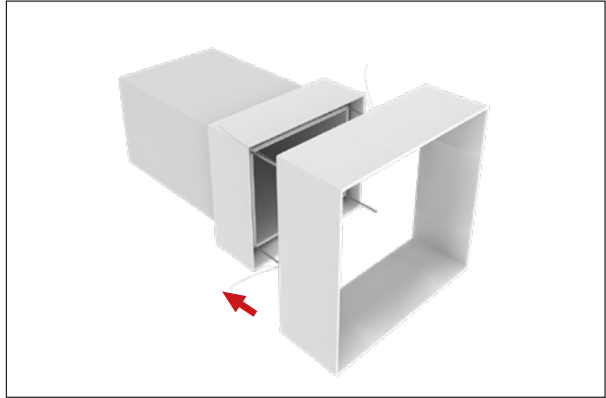
Step 14: Attach the shorter hanging cables to the eyebolts on top of the hanging sign.



Step 17: Stand Tower up with as many people as possible to reduce strain and weight on any one eyebolt.



Step 15: Slide larger hanging sign into place with eyebolts on bottom. Keep cables free and out of the way.



Complete.

