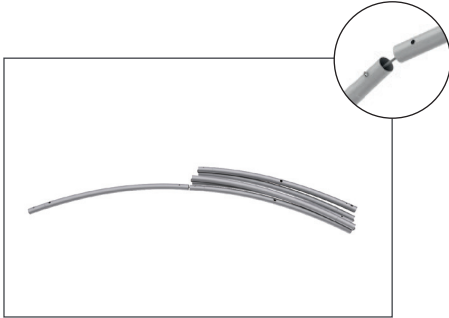


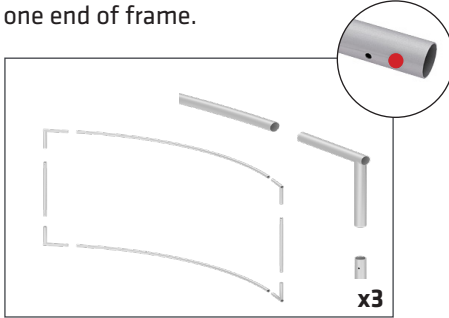
Set Up Instructions

BLIMP-PINWHEEL

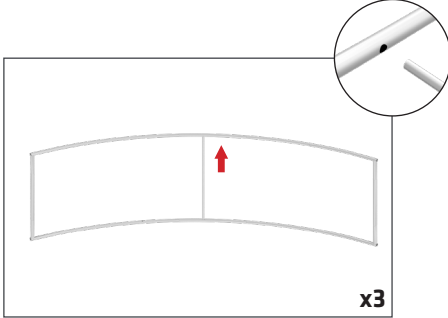
Step 1: Assemble the different frame sections by pushing and pulling pipes together.



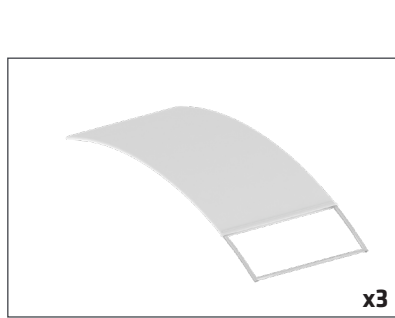
Step 2: Connect all corner sections to longer sections of the frame by matching shape symbols on pipes. Keep corners with holes together at one end of frame.



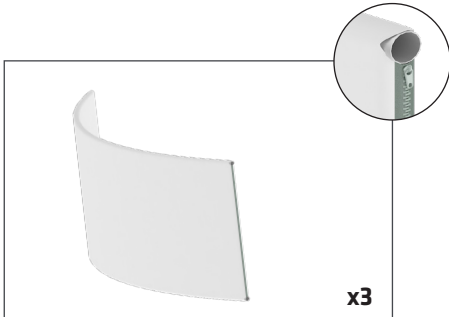
Step 3: Insert center pole into each frame.



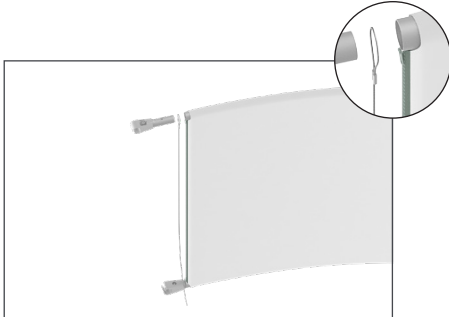
Step 4: Unzip print and place one frame inside each graphic.



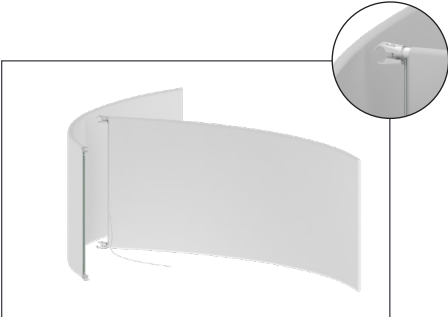
Step 6: Zip graphic closed leaving exposed holes in the corner of frames.



Step 7: Insert clamp pipe to bottom of frame. Insert clamp pipe into loop of cable before pushing into frame.



Step 8: Line up frames centered to one another and attach clamps.



Step 9: Tighten clamps top and bottom with tool.

