



# VENT-FREE FIREPLACES

Boulevard Linear VFLL48FP

Spec Sheet



## ACTUAL DIMENSIONS

53 3/4" W x 35" H x 10 15/16" D

## INCLUDES

- Thermostat Remote (IP Models)
- FRBC Remote (Millivolt Models)

## TECHNICAL INFORMATION

- Maximum heat output: 40,000 BTU (LP,Nat)
- Weight: 105 lbs.
- Type of Gas: LP or Natural
- Ignition Systems: Intermittent Pilot or Millivolt

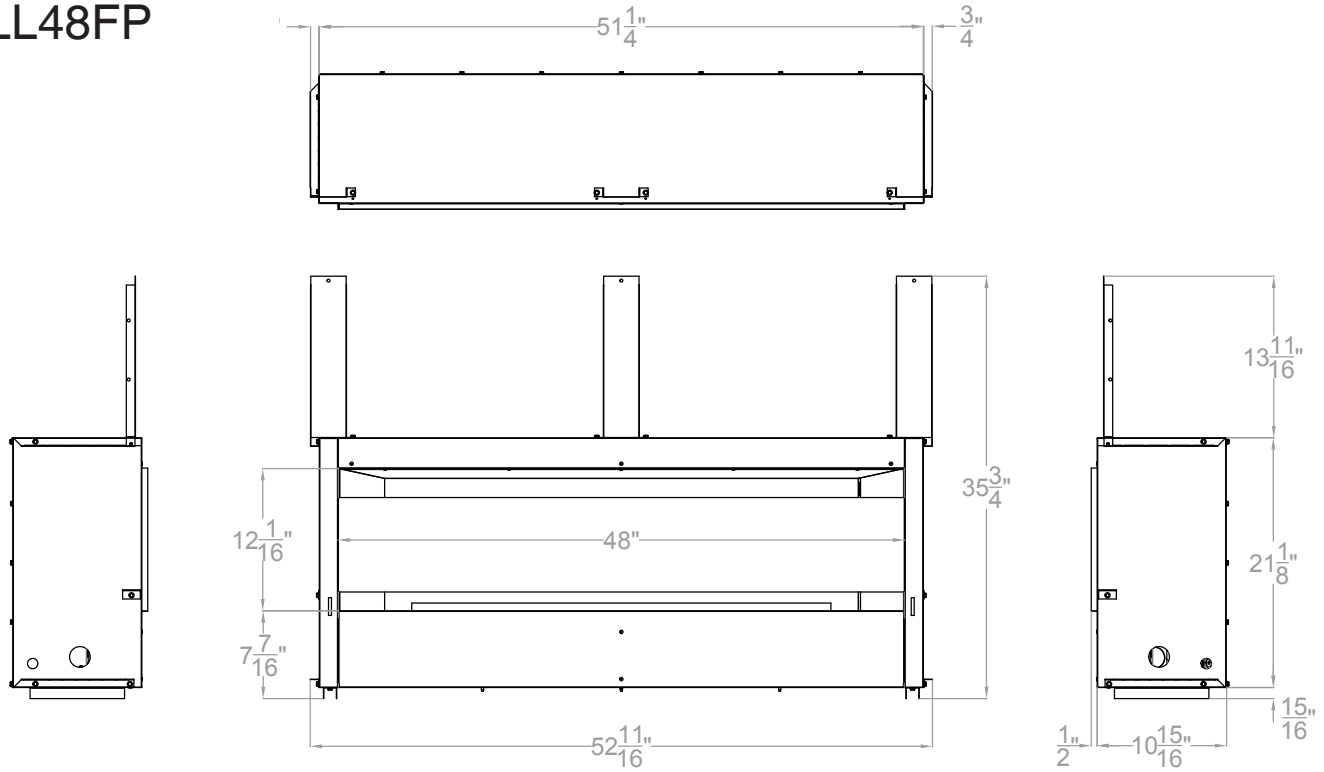
## FIELD INSTALLED

### ACCESSORIES

- Liner with Burner Cover: Black Porcelain, White Porcelain.
- Liner: Stainless Steel
- 4-piece Ceramic Fiber Driftwood Blue Bay log set
- Light Kit
- Decorative Crushed Glass
- Decorative Fronts: Tidewater: Hammered Pewter, Matte Black  
Rectangle: Matte Black



# VFLL48FP



| Clearances (in inches) |     |    |    |    |    |    |    |
|------------------------|-----|----|----|----|----|----|----|
|                        | A   | B  | C  | D  | E  | F  | G  |
| VFLL48FPOL             | 1/2 | 23 | 23 | 25 | 27 | 29 | 31 |

Clearance diagram showing dimensions A through G relative to a finished wall and mantel shelf. Labels include: FINISHED WALL, FLAT MANTEL SHELF, HEADER, STANDOFFS, NON-COMBUSTIBLE MATERIAL (MAY BE INSTALLED TO EDGE OF FIREPLACE OPENING), COMBUSTIBLES NOT ALLOWED IN SHADED AREA, and TOP OF FIREPLACE OPENING.

| Framing Dimensions (in inches) |        |
|--------------------------------|--------|
| VFLL48FP                       |        |
| A                              | 12     |
| B                              | 53     |
| C                              | 35 1/4 |

Framing diagrams showing dimensions A, B, and C for wall installation. Labels include: FRAMING BRACKETS ON BOTH SIDES OF WALL.

Empire is committed to continuous product improvement; specifications are subject to change without notice. Dimensions in this brochure are approximate; read and follow the framing dimensions in the owners manual supplied with your Empire product. Flame size, shape, and color will vary from photos. Our mantels feature natural veneers and hand-rubbed finishes – wood grain and color will vary. Adjust light levels and use "natural light" incandescent bulbs to enhance the dramatic look for your wooden mantel.

Member of the following industry associations:



SINCE 1932  
 Empire Comfort Systems Inc.  
 918 Freeburg Ave.  
 Belleville, IL 62220-2623  
 info@empirecomfort.com  
 01/18

The Empire Comfort Systems and White Mountain Hearth names and logos are registered U.S. trademarks.