



B-VENT FIREPLACES

Keystone Series Deluxe BVD34FP

Spec Sheet



ACTUAL DIMENSIONS

37" W x 35 5/8" H x 14 7/8" D

INCLUDES:

- Log set
- Louvers

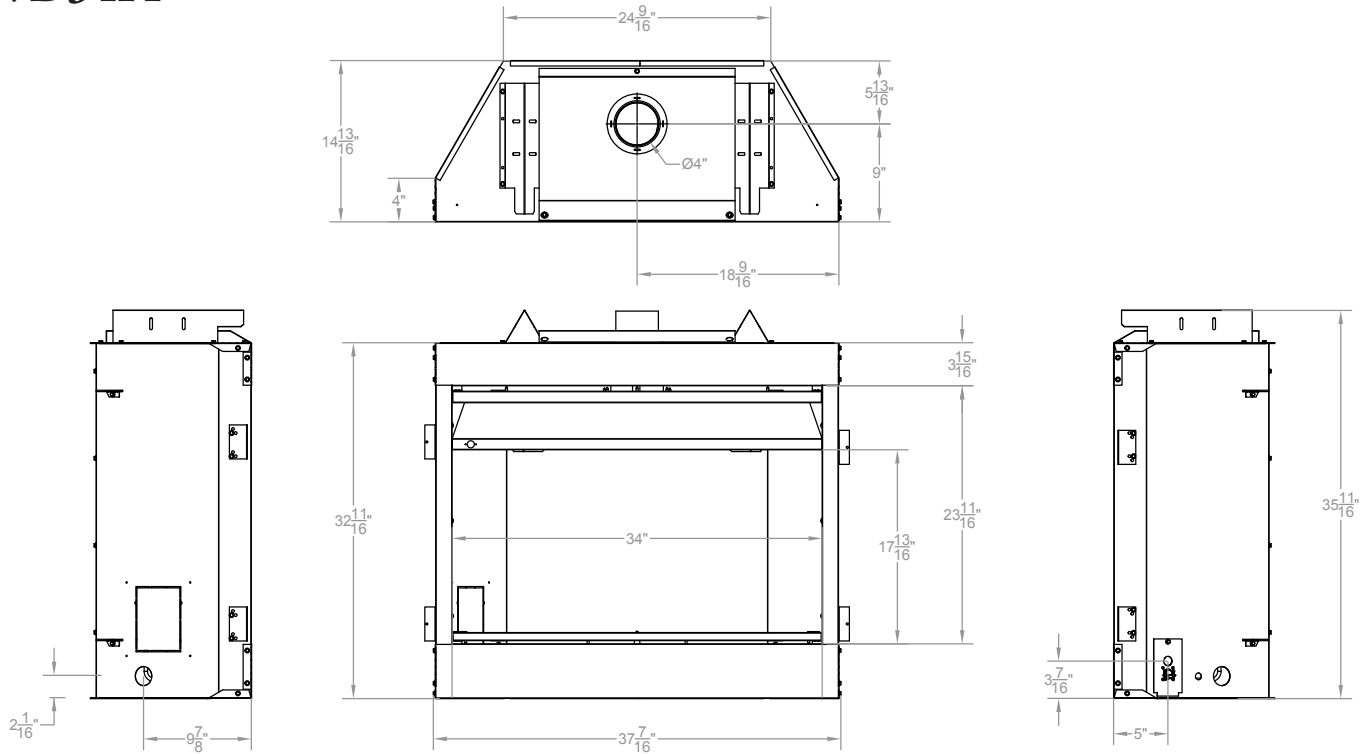
TECHNICAL INFORMATION

- Maximum heat output: 21,000 BTU (Nat)
- Weight: 75 lbs.
- Flush Front or Louver Models
- Type of Gas: Natural Gas only. Conversion kits available
- Iron Pipe Size: 1/2-inch
- Ignition Systems: Millivolt, Intermittent Pilot

FIELD INSTALLED ACCESSORIES

- Optional Accessories
 - Barriers: Available, not required
 - Blower: (not available on flush face models)
 - Liners: Aged Brick, Herringbone Brick
 - Outer Frame:
 - Steel Frame - Matte Black or Hammered Pewter, Aluminum Frame - Matte Black or Hammered Pewter
 - Decorative Louvers:
 - Mission - Matte Black or Hammered Pewter
 - Arch - Matte Black or Hammered Pewter
 - Glass Doors:
 - Bi-Fold Glass Doors (Not for use with Decorative Metal Doors)

BVD34FP

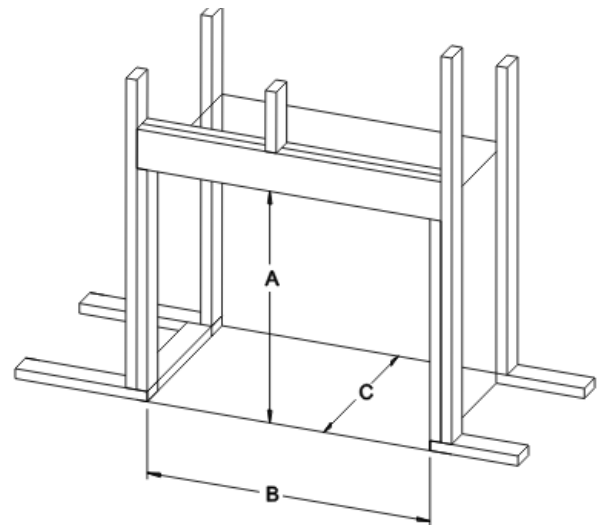
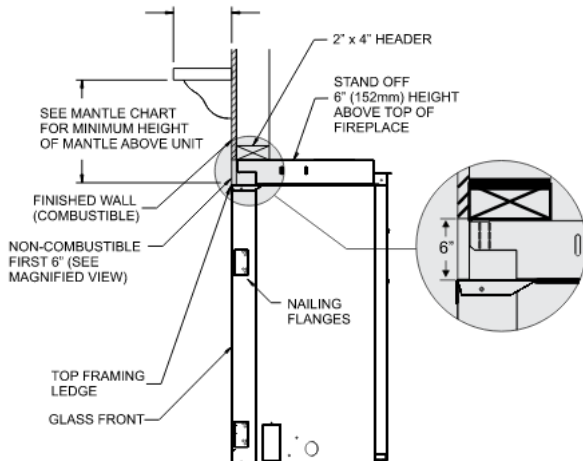


Clearance to Combustibles

Back	0" (0 mm)
Side	0" (0 mm)
Floor	0" (0 mm)
Top Stand-off	0" (0 mm)
Top Framing Edge	1" (25 mm)

Framing Dimensions (in inches)

Height (A)	35 3/4"
Width (B)	37 3/8"
Depth (C)	14 3/8"



Empire is committed to continuous product improvement; specifications are subject to change without notice. Dimensions in this brochure are approximate; read and follow the framing dimensions in the owners manual supplied with your Empire product. Flame size, shape, and color will vary from photos.

Member of the following industry associations:



This appliance is design-certified to the ANSI standard by:



SINCE 1932

Empire Comfort Systems Inc.

918 Freeburg Ave.

Belleville, IL 62220-2623

info@empirecomfort.com

7/18

The Empire Comfort Systems and White Mountain Hearth names and logos are registered U.S. trademarks.