

FIRE & WATER BOWL - MATCH LIT IGNITION

General Information

Please carefully follow the instructions in this manual to prevent personal injury or property loss. Instructions are updated as needed. It is the installer's responsibility to periodically review instruction for applicable updates.

The steps listed as

WARNING: Contains information critical to the safe installation and operation of the fire bowl.

WARRANTY REQUIREMENT: Must be strictly followed to qualify for product warranty. Warranty will be void if not followed.

IMPORTANT: Notes and insights to help ensure product satisfaction and serviceability.

WARNING: It is the installer's responsibility to ensure a safe installation and to educate the end user as to proper operation. Leave this manual with the end user.

WARNING: Never alter product or configuration in any way.

WARNING: We suggest that our products be installed by professionals that are locally licensed by the authority having jurisdiction in gas piping. We suggest that our products be serviced annually by a professional certified in the US by the National Fireplace Institute (NFI) as NFI Gas Specialists or in Canada by WETT (Wood Energy Technical Training).

Installer must follow all instructions carefully to ensure proper performance and safety.

The Outdoor Plus Co, Inc is not responsible for your actions.

WARNING: Product is not intended to be a starter for wood or any other combustibles.

WARNING: It is the responsibility of the installer to follow:

- The National Fuel Gas Code, ANSI Z223.1/NFPA 54 or International Fuel Gas Code.
- The National Electrical Code, ANSI/NFPA 70.
- Local Codes

WARNING: Verify correct gas/fuel type and pressure. Never use an alternative fuel to include bio-fuel, ethanol, lighter fluid or any other fuel. Gas pressure and type should be checked prior to use and installation.

• **Natural Gas Fire bowl:**

Supply Pressure: Minimum: 3.5" W.C.; Maximum: 7.0" W.C.

• **Liquid Propane Gas:**

Supply Pressure: Minimum: 8.0" W.C.; Maximum: 11.0" W.C.

Selecting the Location

WARNING: All fire bowls, match lit kits, and spark ignition systems are designed and intended for outdoor use only.

WARNING: All fire bowls must have a gas shutoff on the outside of the exterior of the fire bowl to allow for emergency shut off and maintenance.

WARNING: Select a location where the fire bowl can be attended during operation. Never leave an operating fire bowl unattended or by someone not familiar with its operation or emergency shut off locations.

WARNING: Both children and adults should be alerted to the hazards of high surface temperatures and should stay away to avoid burns and clothing ignition.

WARNING: Young children should be carefully supervised when they are in the area of fire bowl.

WARNING: Clothing or other flammable materials should not be placed on or near fire bowl.

WARNING: Fire bowls create very high temperatures - Combustibles must be located far enough away that there is no risk of ignition. (See Clearance From Combustibles diagram at the end of this document)

Fire bowl Clearances from Combustibles (Diagram can be found at the end of this document)

Sides Surrounding Fire bowl - 48" From Structure or Combustibles

Overhead Clearance - 96" from combustibles overhead

IMPORTANT: It is recommended that material such as granite, marble or other dense stone be kept away from heat and especially flame due to risk of cracking. Manufacturer is not responsible for damage.

TIPS FOR CHOOSING LOCATION

-Select a location with good drainage.

-Choose a location that allows easy access for installation and maintenance of the fire bowl.

-Pick a location that allows sufficient horizontal room to enjoy the fire bowl while allowing a safe distance from the heat and flame.

FIRE & WATER BOWL INSTALLATION Cont.

RUNNING GAS LINES

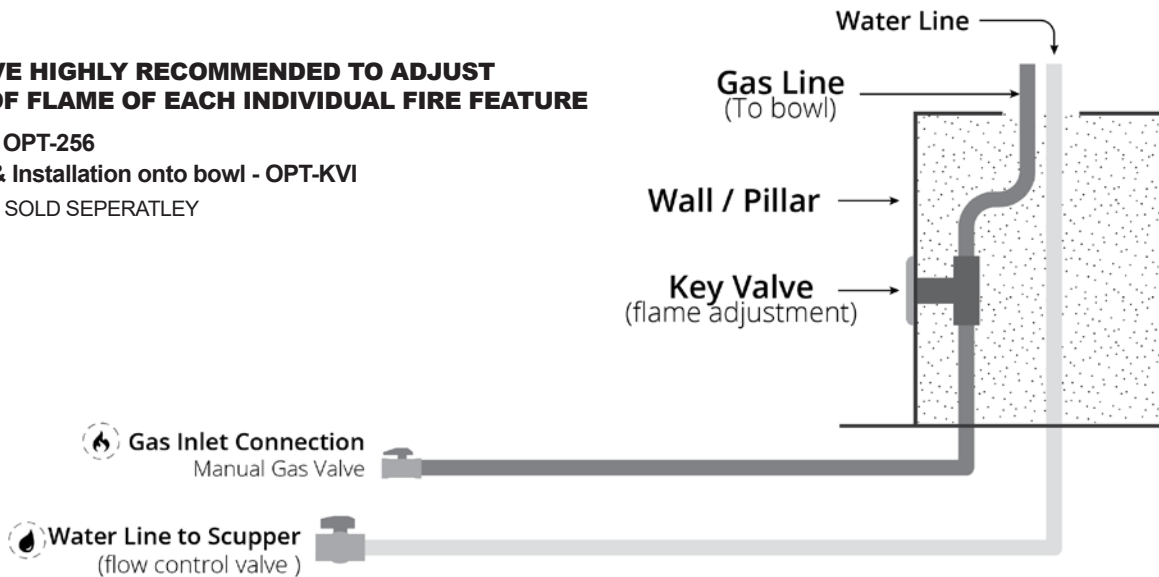
- The gas piping shall be installed underground between to each fire bowl. The piping shall be reduced to 1/2" NPT at each bowl.
- To eliminate unnecessary pressure drop, ensure the pipe length and amount of elbows used is minimized.
- Yellow corrugated flex lines should not be used. ONLY use stainless steel whistle free hoses
- Gas lines should be centered in the middle of the column.

KEY VALVE HIGHLY RECOMMENDED TO ADJUST HEIGHT OF FLAME OF EACH INDIVIDUAL FIRE FEATURE

Key Valve - OPT-256

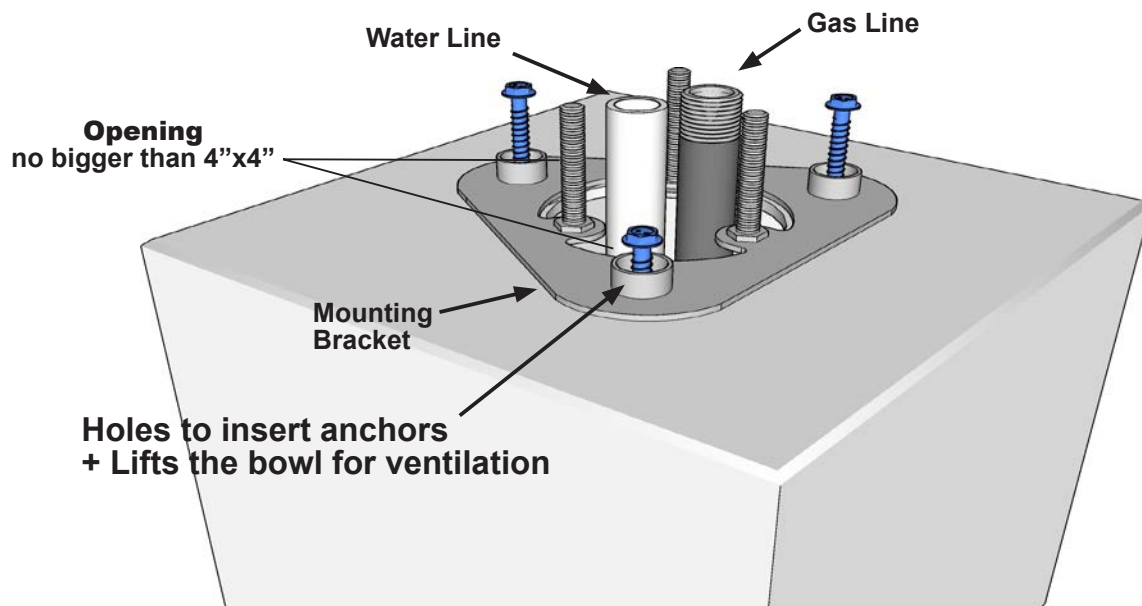
Key Valve & Installation onto bowl - OPT-KVI

KEY VALVES SOLD SEPERATLEY



MOUNTING ON PILLAR/WALL

- Secure mounting bracket to mounting location with anchors rated for material being affixed. (Anchors not supplied by The Outdoor Plus.)
- Avoid grout seams when installing anchors
- Center cutout hole must be no larger than 4" inches square or diameter. Any larger and the mounting bracket will not have enough area to be properly secured.
- Use bracket to locate and mark the hole location.
- Do NOT kink or sharply bend any of the stainless steel gas lines.
- Do NOT use yellow corrugated gas lines.
- Key Valves near the bowl are recommended for flame adjustment.



INSTALLATION OF FIRE BOWL

WARNING: We suggest that our products be installed by professionals that are locally licensed by the authority having jurisdiction in gas piping.

WARNING: We suggest that our products be serviced annually by a professional certified in the US by the National Fireplace Institute (NFI) as NFI Gas Specialists.

WARNING: Confirm this appliance is built for gas used – natural gas or propane. Do not use natural gas appliance with propane. Do not use propane appliance with natural gas.

WARNING: To prevent damage, unhook fire bowl from gas supply for pressure leak tests.

WARNING: Fuel line sizing is the responsibility of the installer and must be able to supply the stated maximum BTU for the product.

WARNING: Burn Testing- It is the responsibility of the qualified installer to test for gas leaks at all connections.

WARNING: When filling the pan with lava rock and/or decorative glass, follow directions on the following page

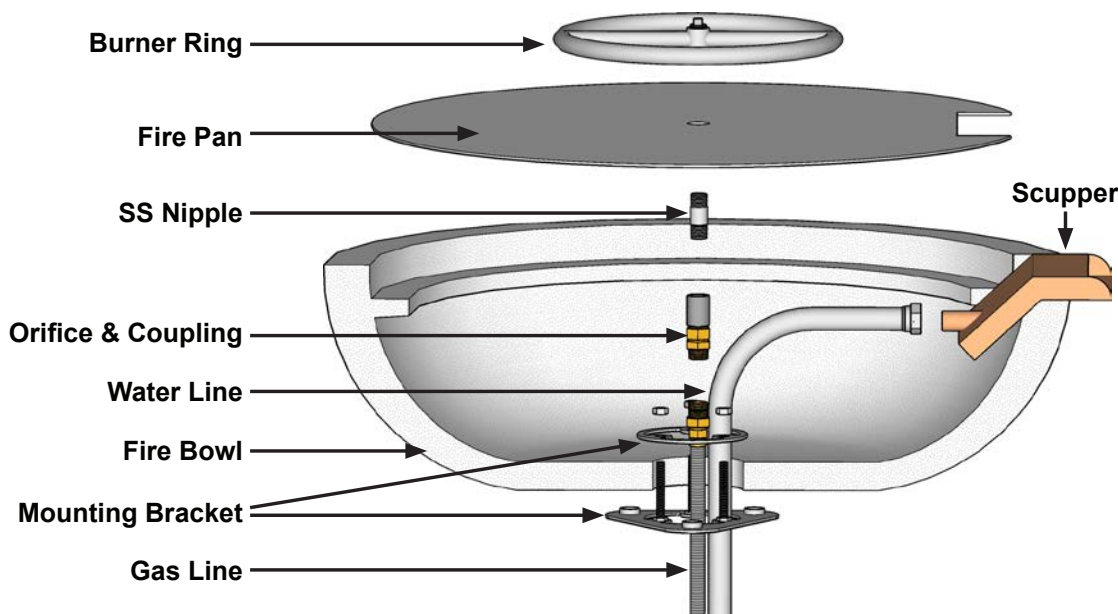
WARNING: Gas Plumbing Connections: Use only joint compound or tape that is resistant to all gases. Apply joint compound to all male pipe fittings only- do not use joint compound onto flared/tapered fittings. Be sure to tighten every joint securely.

WARNING: For systems with an extended or detached valve box the area in which the valve box is installed must conform with all installation requirements to include but not limited to location, construction, venting and local codes. Failure to do so may result in personal injury property damage or explosion.

WARRANTY REQUIREMENT: Warranty is void if product is altered.

- Plan your project well in advance to comply with all instruction and codes and allow for access and serviceability of the product.
- Purge gas lines of air.
- Perform all leak test with leak detector or leak reactant.
- Verify correct gas type and pressure.
- Perform leak test on main gas supply. Repair leaks as necessary.
- Shut Off Gas Supply and Power to fire-pit.
- Connect fire-pit to main gas supply.
- Turn on gas supply and perform leak test on all inlet connections. Repair as needed.
- Position fire bowl safely with access to all gas connections for testing.
- Light fire bowl. It may take several cycles to purge air from the lines.
- Once fire bowl is lit perform leak test on all gas connections. Repair as needed.
- Turn off fire bowl and allow to cool.
- Apply media
- Turn on fire bowl again and perform leak test with media correctly installed. If gas leak is detected verify correct media application and repair as needed.
- If key valve is installed adjust flame to desired height. (Never alter the product configuration)
- Set fire bowl in properly constructed enclosure
- Verify correct operation and lighting.
- Review safety manual with end user and instruct not to change/ modify fire bowl or media.
- Leave manual with end user.

Component Overview

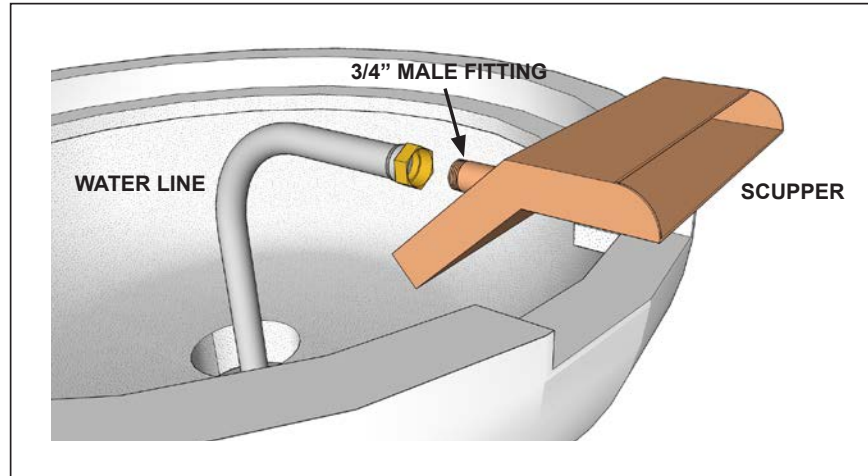


INSTALLATIONS OF SCUPPER

1. Install a 3/4" water supply line capable of 12-15 GPM as shown in diagram
2. The scupper will have a 3/4" male fitting
3. You can reduce to 1/2" but this might reduce performance of the water flow
4. Connect your water line to scupper. You may need to use silicone.
5. Make sure all connections are tight and free of leaks
6. To firmly attach the scupper, apply a discreet amount of silicone or epoxy adhesive to the notch in the bowl
7. You are now ready to turn on the water portion of the fire and water bowl



Water flow requirements: 12-15 GPM
Scupper will have a 3/4" male fitting



ACCEPTABLE MEDIA FOR FIRE FEATURES

WARNING: Do not use any other material as filler/topping media inside fire features other than those listed below. Using improper media inside a fire feature could result in damage to property or injury to persons nearby due to media 'popping' or 'exploding' due to heat

LIST OF ACCEPTABLE MEDIA FOR FIRE FEATURES:

Fire Rated Lava Rock (or other Igneous Rock), fireglass approved for use in fire features, man-made stone for use in fire features (Reflective Material)

INSTALLATION NOTE: The use of media inside fire features is recommended because it enhances the look of the fire feature and improves its performance by forcing the gas emanating from the burner to mix as it passes through the media. This 'mixing' of gases creates an even flame throughout the feature and helps spread the flame from the Pilot Burner throughout the burner quicker than when there is no media. Recommended thickness of the media above the burner element is NO MORE than 2".



Lava Rock



Fire Approved Glass



Fire Approved Reflective Glass

INSTALLATION OF MEDIA IN FIRE FEATURES

There are several options when it comes to topping material for a fire feature; large lava chunks, fire glass and fire stones. In this example we are using 1" lava rock. You will need a layer that is 2" - 3" thick to properly cover the fire feature while at the same time allowing plenty of oxygen to mix with the gas coming from the fire ring. This lava rock is more expensive than the "filler" lava rock but is still fairly inexpensive and readily available in the BBQ section of most hardware stores.



No more than 1" of media should cover the burner. Adding more may cause damage

FIRE BOWL OPERATION

WARNING: Before use, be sure to test all gas connection for leaks. Do not use fire bowl if there is any evidence of leaking gas. If leaking gas suspected, turn off the main gas supply and repair immediately

WARNING: Do not use the fire bowl if any part has been submerged under water.

Immediately call a qualified technician to inspect the fire bowl

WARNING: Never use any material that is non-porous and holds moisture such as gravel, pebbles, river rocks, etc.

This material, when heated, will cause moisture trapped inside to boil and fracture unexpectedly. This material is not sufficiently porous to allow heated steams to readily escape which can break and cause personal injury or damage

WARNING: solid fuels shall not be burned in the fire bowl. Leaves, sticks, wood, paper, clothing, food, should be kept away from the fire bowl. Fire bowl is not for cooking. Make sure that there is no vegetation or other objects over the top or sides of the fire bowl that could interfere with safe operation. See "Clearance from Combustibles" diagram at the end of this document.

WARNING: If lava rock is wet, allow fire bowl to burn for 45 prior to coming within 15 feet of the fire bowl.

WARRANTY REQUIREMENT: When not in use, the fire bowl must be covered.

IMPORTANT: INITIAL START-UP: It may be necessary to purge **Air in the Gas Lines** after system installation.

FIRE BOWL OPERATION

WARNING: before use, be sure to test all gas connection for leaks. Do not use fire bowl if there is any evidence of leaking gas. If leaking gas suspected, turn off the main gas supply and repair immediately

WARNING: Do not use the fire bowl if any part has been submerged under water. Immediately call a qualified technician to inspect the fire bowl

WARNING: never use any Material that is non-porous and holds moisture such as gravel, pebbles, river rocks, etc. This material, when heated, will cause moisture trapped inside to boil and fracture unexpectedly. This material is not sufficiently porous to allow heated steams to readily escape which can break and cause personal injury or damage

WARNING: solid fuels shall not be burned in the fire bowl. Leaves, sticks, wood, paper, clothing, food, should be kept away from the fire bowl. Fire bowl is not for cooking. Make sure that there is no vegetation or other objects over the top or sides of the fire bowl that could interfere with safe operation. See the clearance from combustibles diagram at the end of this document.

WARNING: if lava rock is wet, allow fire bowl to burn for 45 prior to coming within 15 feet of the fire bowl.

Warranty requirement: when not in use, the fire bowl must be covered.

Important: initial start-up: it may be necessary to purge **Air in the Gas Lines** after system installation.

START UP

1. Stop! If you smell gas: 1) shut off gas to appliance. 2) Extinguish any open flame. 3) If odor continues, keep away from appliance and immediately call gas supplier or fire department.
2. Ensure fire bowl is clear of people, debris, that all covers are removed and the feature is safe to start.
3. Place ling handles lighter or match while burning on top of th fire bowl
4. Slowly turn “on” the gas valve.
5. After burner lights, remove the lighter or match
6. Adjust flame to desired height
7. If burner does not light, turn valve to “off” position and allow gas to clear then repeat steps 3-7
8. Never alter the design of the fire bowl
9. Ensure firepit, children and patrons are supervised by a responsible adult that is familiar with emergency shut down.
10. Flammable materials should not be places on or near the fire bowl
11. This product is not for use with small tanks. It is intended to be connected to fixed piping system only.

MAINTENANCE

WARNING: Any guard or protective device removed for servicing must be replaced prior to operating the fire bowl.

WARNING: Installation and repair should be done by a qualified service person. Fire bowls should be inspected prior to use and at least annually by a qualified service person.

WARNING: Ensure gas and power (if applicable) are shut off and fire bowl is cool before servicing

- Keep fire bowl covered at all times when not in use.
- In some areas of the country spiders or insects have been known to build nest and or lay eggs in the venture holes of the air-mixer for LP units. This can cause fuel to fill the fire feature cavity and result in personal injury or property damage. Periodical inspection by a qualified service technician of the air-intake is required to ensure your fire feature performs properly.
- Keep any debris out of fire bowl- clean as needed.
- Ring Cleaning: (1 x YR) If flames exhibit any abnormal shapes or behavior, or if burner fails to ignite properly, then the burner holes may require cleaning. The appliance can be cleaned by carefully removing the media to allow access to burner. Use a brush to carefully remove dust, spider webs, and loose particles from base, logs, and fire ring itself. If evidence of damage, fire ring must be replaced with fire ring specified by manufacturer

TROUBLESHOOTING

Below are some potential causes and countermeasures to the symptoms indicated in bold. Please contact your retailer or certified technician for service & repair.

Below are some potential causes and countermeasures to the symptoms indicated in bold. If still unable to resolve issue, please contact your retailer or certified technician.

Will Not Light

- | | |
|--------------------------|--|
| 1. Air in Gas Line. | If new install, may take several attempts to purge air |
| 2. Debris in Gas Line. | Confirm gas line is clear (insulation, dirt, plastic, excessive pipe sealer etc..) |
| 3. Gas Pressure Improper | Confirm proper gas pressure found |

Will Not Stay Lit

- | | |
|-----------------------------|---|
| 1. Gas Pressure Improper | Confirm proper gas pressure found (Section 1) |
| 2. Improperly Applied Media | Review Installation Of Media |

Noise

- | | |
|--------------------|---|
| 1. Whistling Sound | Use whistle free hose - Adjust hose to create the path of least resistance for gas. |
|--------------------|---|

THIS IS THE END OF THE INSTALLATION INSTRUCTIONS FOR FIRE & WATER BOWLS WITH MATCH LIT IGNITION

REPLACEMENT PARTS



OPT-PIRCG
Plot Igniter Assembly



OPT-12V
12V Control Panel



OPT-INBR
Installation Bracket



OPT-158-8
8" Burner



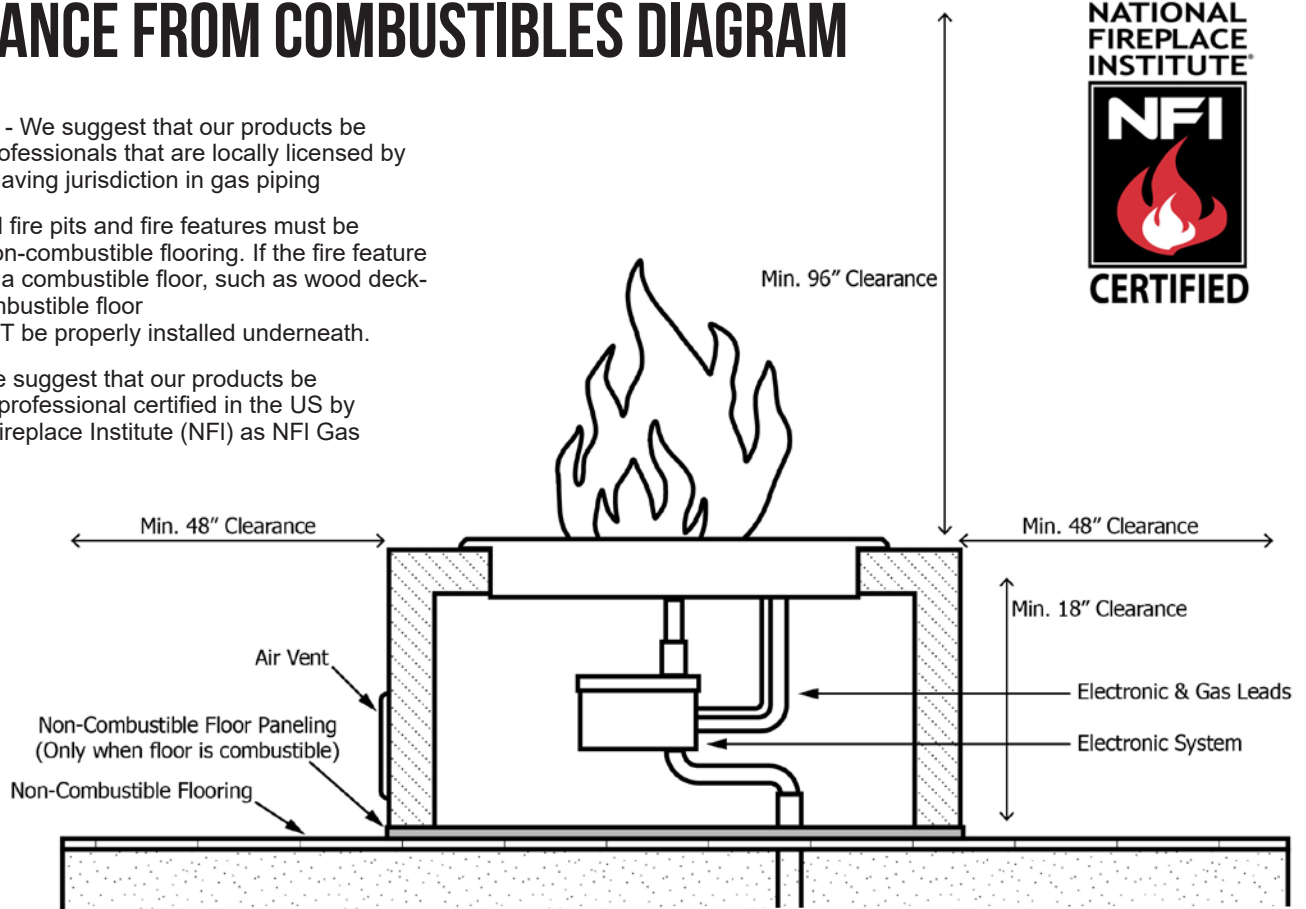
OPT-159
12" Burner
[For 36" Bowls ONLY]

CLEARANCE FROM COMBUSTIBLES DIAGRAM

Installation - We suggest that our products be installed by professionals that are locally licensed by the authority having jurisdiction in gas piping

Flooring - All fire pits and fire features must be installed on non-combustible flooring. If the fire feature is installed on a combustible floor, such as wood decking, a non-combustible floor paneling MUST be properly installed underneath.

Service - We suggest that our products be serviced by a professional certified in the US by the National Fireplace Institute (NFI) as NFI Gas Specialists



LIMITED WARRANTY

The Outdoor Plus Company (TOP) warrants all bowls against manufacturing defects that prevent safe and correct function as follows:

- Electronics, Gas Valve, & Pilot Assembly: Commercial-6mos; Residential- 1 yr.
- Stainless Steel Pan, Fire Ring, & Valve Box: Commercial-1yr.; Residential 3yrs.

- This commences from the date of original sale / shipment from The Outdoor Plus.

- This warranty is for parts and in-house (TOP) labor. The defective product must be sent back to TOP with a Return Merchandise Authorization (RMA) issued by TOP for that specific product and any other additional information for the nature of the defect or warranty claim.

- The warranty does not cover items that have been damaged by overheating, modification, abuse, or improper storage. Also any labor involving installation or maintenance with the unit is not covered.

- This warranty excludes claims for consequential, indirect-collateral expenses arising from product defects or warranty recovery.