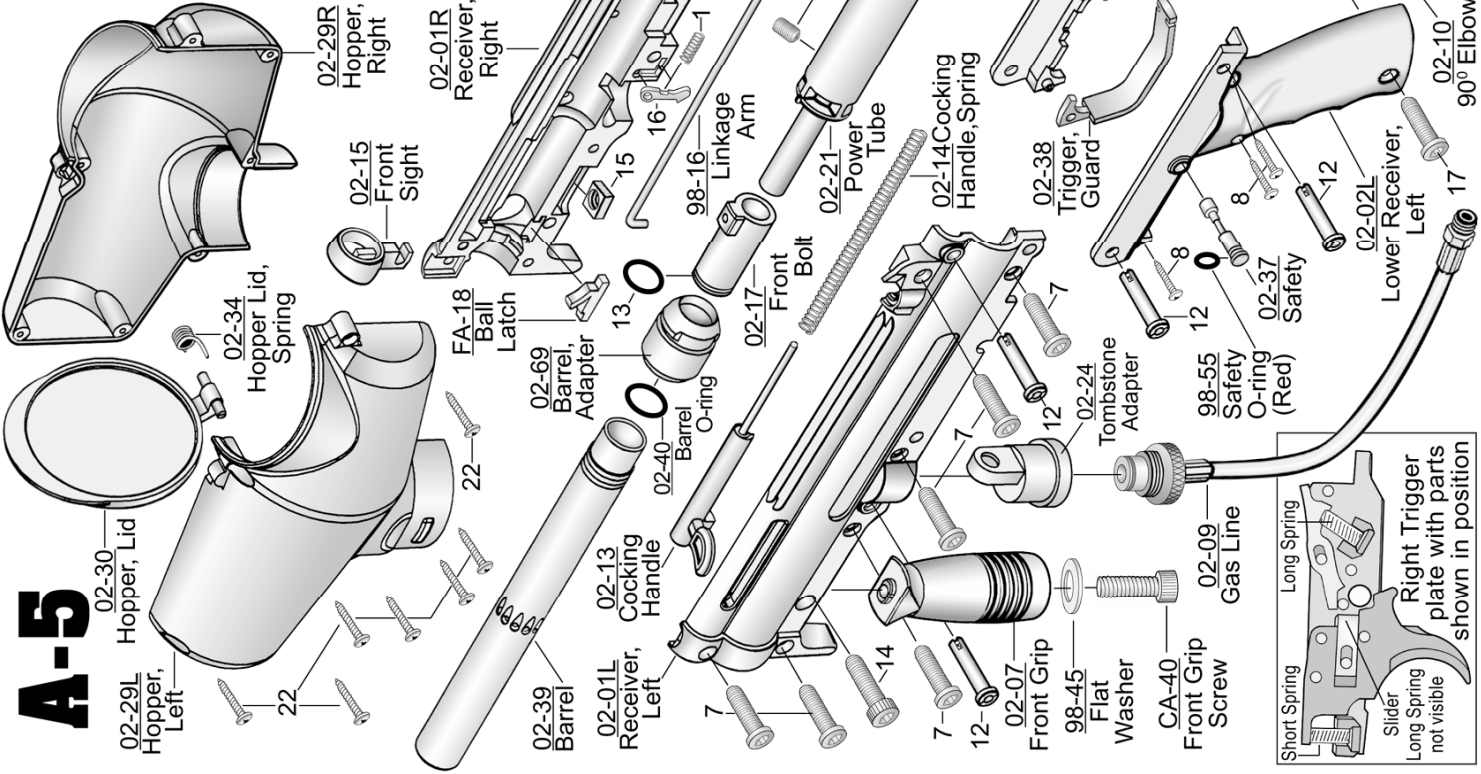


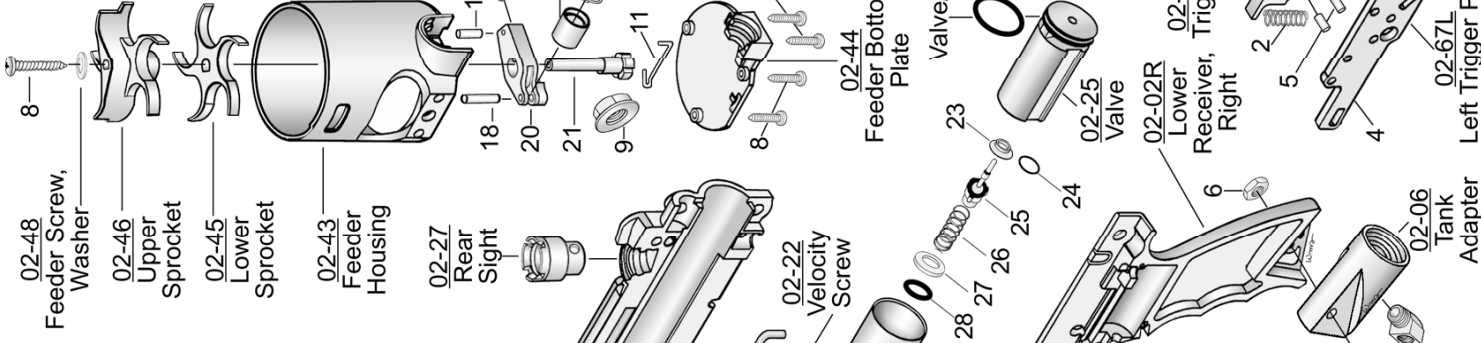
# A-5



- ### #Schematic Description (Quan) PART#
- 1) Trigger Spring (Long) (3) ..... 02-20
  - 2) Trigger Spring (Short) (2) 02-20S
  - 3) Trigger Plate Pins (6) ..... 02-33
  - 4) Trigger Plates .. 02-67L & 02-67R
  - 5) Trigger Slider, Pins (2) ..... 98-19
  - 6) 10-32 Hex Nut (7) ..... 9-PA
  - 7) Receiver Bolt (Short) (6) . 98-01A
  - 8) Screws (8) ..... PL-42A
  - 9) Feeder Housing, Nut..... 02-42
  - 10) Ratchet Spring Guide ..... 02-51

- ### #Schematic Description (Quan) PART#
- 11) Feeder Ratchet, Spring .... 02-50
  - 12) Receiver Pin w/Spring(4) . 02-18/19
  - 13) Front Bolt O-ring ..... SL2-4
  - 14) Feeder Housing Bolt ..... 02-41
  - 15) 1/4-20 Nut ..... PL-42D
  - 16) Tombstone Latch..... 02-73
  - 17) Receiver, Bolt (Long) .... 98-01B
  - 18) Ratchet, Pin (Long) ..... 02-52L
  - 19) Ratchet, Pin (Short) ..... 02-52S
  - 20) Ratchet ..... 02-53
  - 21) Feeder Axle ..... 02-49
  - 22) Hopper Screws (7) ..... 02-31

- (Valve Disassembly Not Recommended)
- 23) Valve Seat ..... CA-27N
  - 24) Valve O-ring Small ..... SL2-25
  - 25) Valve Plunger ..... 98-PL
  - 26) Valve Spring ..... PA-32
  - 27) Valve Washer ..... 02-71
  - 28) Valve O-ring Large ..... 02-72

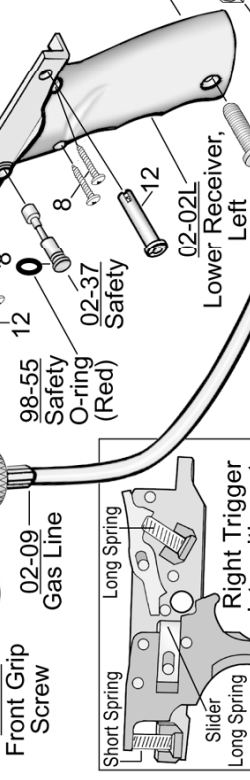


- ### #Schematic Description (Quan) PART#
- 1) Trigger Spring (Long) (3) ..... 02-20
  - 2) Trigger Spring (Short) (2) 02-20S
  - 3) Trigger Plate Pins (6) ..... 02-33
  - 4) Trigger Plates .. 02-67L & 02-67R
  - 5) Trigger Slider, Pins (2) ..... 98-19
  - 6) 10-32 Hex Nut (7) ..... 9-PA
  - 7) Receiver Bolt (Short) (6) . 98-01A
  - 8) Screws (8) ..... PL-42A
  - 9) Feeder Housing, Nut..... 02-42
  - 10) Ratchet Spring Guide ..... 02-51

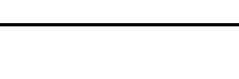
- ### #Schematic Description (Quan) PART#
- 1) Trigger Spring (Long) (3) ..... 02-20
  - 2) Trigger Spring (Short) (2) 02-20S
  - 3) Trigger Plate Pins (6) ..... 02-33
  - 4) Trigger Plates .. 02-67L & 02-67R
  - 5) Trigger Slider, Pins (2) ..... 98-19
  - 6) 10-32 Hex Nut (7) ..... 9-PA
  - 7) Receiver Bolt (Short) (6) . 98-01A
  - 8) Screws (8) ..... PL-42A
  - 9) Feeder Housing, Nut..... 02-42
  - 10) Ratchet Spring Guide ..... 02-51

- 11) Feeder Ratchet, Spring .... 02-50
- 12) Receiver Pin w/Spring(4) . 02-18/19
- 13) Front Bolt O-ring ..... SL2-4
- 14) Feeder Housing Bolt ..... 02-41
- 15) 1/4-20 Nut ..... PL-42D
- 16) Tombstone Latch..... 02-73
- 17) Receiver, Bolt (Long) .... 98-01B
- 18) Ratchet, Pin (Long) ..... 02-52L
- 19) Ratchet, Pin (Short) ..... 02-52S
- 20) Ratchet ..... 02-53
- 21) Feeder Axle ..... 02-49
- 22) Hopper Screws (7) ..... 02-31

- (Valve Disassembly Not Recommended)
- 23) Valve Seat ..... CA-27N
  - 24) Valve O-ring Small ..... SL2-25
  - 25) Valve Plunger ..... 98-PL
  - 26) Valve Spring ..... PA-32
  - 27) Valve Washer ..... 02-71
  - 28) Valve O-ring Large ..... 02-72



02-48 Feeder Washer  
02-46 Upper Sprocket  
02-45 Lower Sprocket  
02-43 Feeder Housing  
02-27 Rear Sight  
02-15 Front Sight  
02-29R Hopper, Right  
02-01R Receiver, Right  
02-13 Cocking Handle  
02-01L Receiver, Left  
02-39 Barrel  
02-01L Receiver, Left  
02-13 Cocking Handle  
02-17 Front Bolt  
02-07 Front Grip  
98-45 Flat Washer  
CA-40 Front Grip Screw  
02-09 Gas Line  
02-24 Tombstone Adapter  
98-55 Safety O-ring (Red)  
02-37 Safety  
02-02L Lower Receiver, Left  
02-10 90° Elbow  
02-06 Tank Adapter  
02-25 Valve  
02-02R Lower Receiver, Right  
02-36 Trigger  
02-11 Rear Bolt  
98-12A Valve/Rear Bolt O-rings (2)  
02-44 Feeder Bottom Plate  
02-66 Cylinder Spring  
02-64 Cylinder Plug  
02-63 Cylinder U-cup Seal  
02-65 Cylinder Reset O-ring  
02-62 Cylinder Rod  
02-61 Reset Button  
20-19 Cylinder Hose  
02-07 Banjo Fitting (2)



02-60 End Cap  
02-58 Snap Ring  
02-57 Buffer O-ring (Gray)  
02-05 End Cap  
02-59, 4-PA End Cap, Bushing

# TIPPMANN

## PNEUMATICS, INC.

Get Your Heart Pounding With A Tippmann!  
3518 Adams Center Road, Fort Wayne, IN 46806  
P) 260-749-6022 • F) 260-749-6619  
www.tippmann.com