

-J02190

Kit Number 65012-01Y

REV. 7-19-01

SLIPFIT MUFFLER KIT

General

This muffler kit fits all 1999 and later Lightning X1, Cyclone M2 and Thunderbolt S3/T, S1 and S-1 "White Lightning" models and the following models without lowers: 1997-98 M-2, S/3T and the 1996 S-2 and S-2T models. See fitment information for specific kits listed below.

NOTE

A Service Manual for your vehicle is available at your local Buell Dealer.

Description

CAUTION

This muffler kit is intended for high-performance racing (OFF ROAD USE) applications only. Use of this kit may reduce or void the Limited Warranty coverage. Motorcycles modified with some performance engine parts must not be used on public roads and in some cases may be restricted to closed-course competition. Not legal for sale or use in California on any pollution-controlled motor vehicles. Alterations of emission related components constitutes tampering under USEPA guidelines and can lead to substantial fines and penalties.

Engine-related performance parts are intended for the Experienced Rider only.

NOTE

Recommended for all 2000 and earlier models: Replace the older front-support bracket with the 2001 model-year header support (front-support bracket), part number S1001.01A1, on all vehicles.

Stock Muffler Removal

WARNING

To protect against shock and accidental start-up of vehicle, disconnect the battery cables, negative cable first, before proceeding. Inadequate safety precautions could result in death or serious injury.

WARNING

Always disconnect the negative battery cable first. If the positive battery cable should contact ground with the negative cable installed, the resulting sparks may cause a battery explosion which could result in death or serious personal injury.

1. Disconnect battery cables, negative cable first.
2. Remove heat shields and fairings.
 - On X1 vehicles, remove the chin fairing according to applicable Service Manual procedures.

- On S3 Models with fairing lowers, remove the right-side fairing lower according to applicable Service Manual procedures.
- On M2 Models, remove the heat shield according to applicable Service Manual procedures.

3. See Figure 3. Loosen the clamp fastening the stock muffler to the exhaust-header pipe.
4. See Figure 1 and 4. Remove the bolts, lock washers, and washers fastening the muffler to the rear-support bracket. Discard the fasteners.
5. See Figures 2, 3, and 4. Remove the bolts, lock washers, and washers fastening the muffler to the front-support bracket. Save these fasteners for muffler installation.

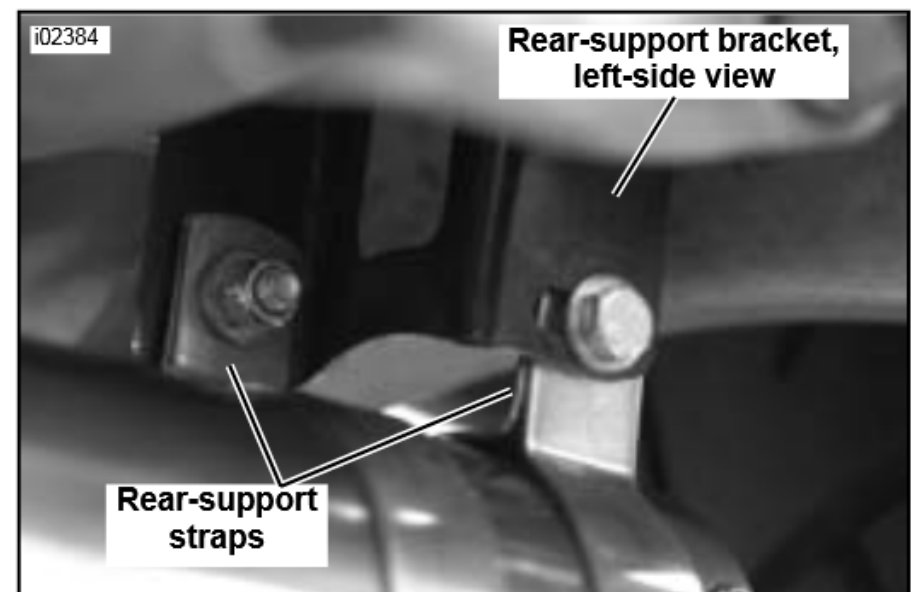


Figure 1. Rear-support straps and bracket

6. Remove the stock muffler from the exhaust-header pipe. Save the clamp for muffler installation. If the clamp appears worn, replace the clamp with part number 65969-98Y.

Slipfit Muffler Installation

NOTE

The number of discs installed in the muffler controls back pressure and noise level. Increasing the number of installed discs reduces backpressure and increases noise. Harley-Davidson recommends using 12 to 15 discs on carbureted models and 10 to 12 discs on fuel-injected models. Using more than 15 discs requires richer jetting to prevent a lean condition.

1. See Figure 4. Install the muffler discs (5) into the Slipfit muffler using the screws (3) provided. The muffler-disc endcap (4) is always the last disc installed.
2. Install the muffler end cap (1) onto the muffler body (2).
3. Coat the inside of the Slipfit muffler inlet with Permatex Ultra-Copper High Temp RTV Silicon Gasket material. The silicon gasket material **MUST** be labeled as oxygen-sensor safe to prevent damage to the oxygen sensor.

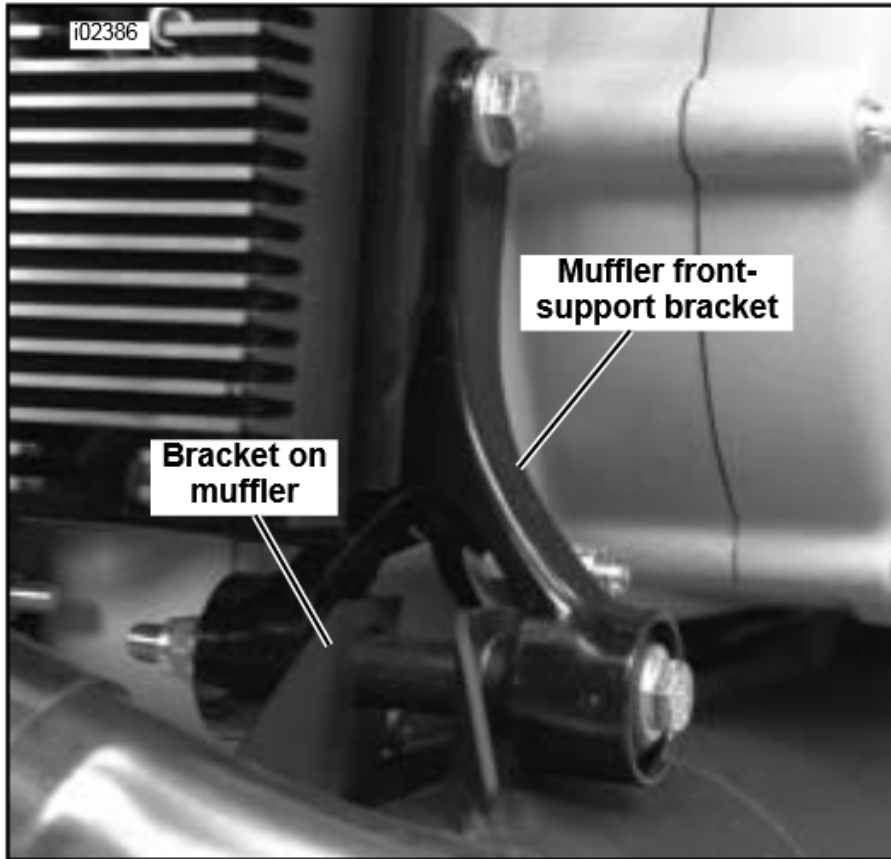


Figure 2. New front-support bracket P/N S1001.01A1

4. See Figure 1. Slide the rear-support straps (6) onto the back end of the muffler. Orient the straps opposite one another to fit the rear-support bracket.
5. See Figure 3. Slide a new muffler-to-header clamp onto the muffler inlet.
6. Slide the muffler inlet onto the exhaust-header pipe. Do not tighten the clamp at this time.
7. See Figure 2, 3, and 4. Using the stock fasteners, loosely fasten the muffler to the front-support bracket.
8. See Figures 1 and 4. Loosely fasten the rear-support straps to the rear-support bracket using the washers and bolts provided. Be certain that the rear clamp is not contacting the endcap screws. If it is, adjust the clamp so that it does not touch the screws. Tighten the rear-support-bracket fasteners to 17-19 ft-lbs (23-25.8 Nm).
9. Tighten the front-support bracket fasteners to 17-19 ft-lbs (23-25.8 Nm).
10. See Figure 3. Tighten the muffler-to-header clamp to 20-25 ft. lbs (27.1-33.9 Nm).

⚠ WARNING

Always connect the positive battery cable first. If the positive cable should contact ground with the negative cable installed, the resulting sparks may cause a battery explosion which could result in death or serious injury.

11. Connect the battery cables to the battery, positive cable first.
12. Install fairings and/or heat shields:
 - On X1 Models, reinstall the chin fairing according to applicable Service Manual procedures.
 - On S3 Models with fairing lowers, reinstall the lowers according to applicable Service Manual procedures.
 - On M2 Models, reinstall the heat shield according to applicable Service Manual procedures.
13. Clean the muffler with the Scotch-Brite™ pad provided.

CAUTION

After installation, wipe all fingerprints off the exhaust system. Failure to thoroughly clean the system will result in oil from hands burning permanently into the finish of the exhaust system, damaging the cosmetic integrity of the exhaust pipes.

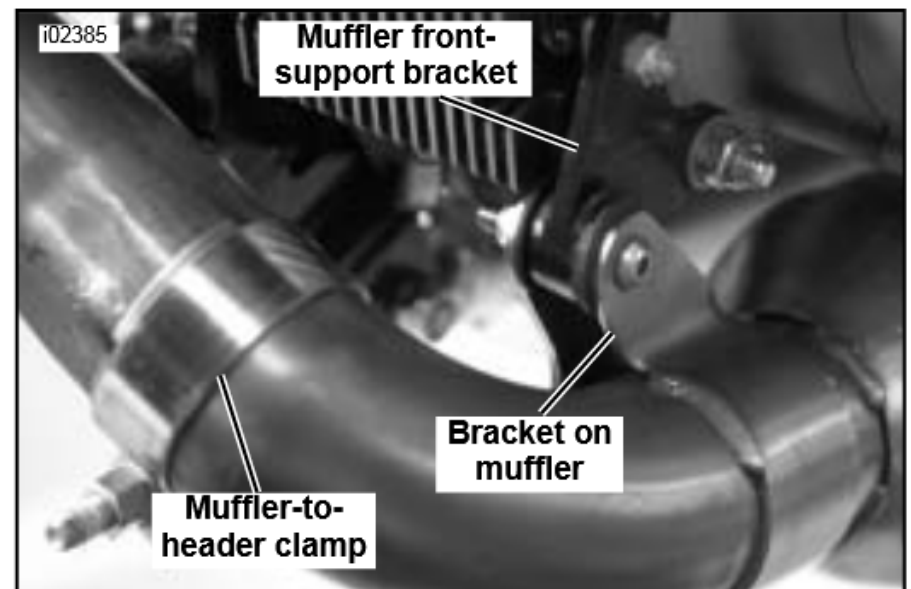


Figure 3. Older front-support bracket

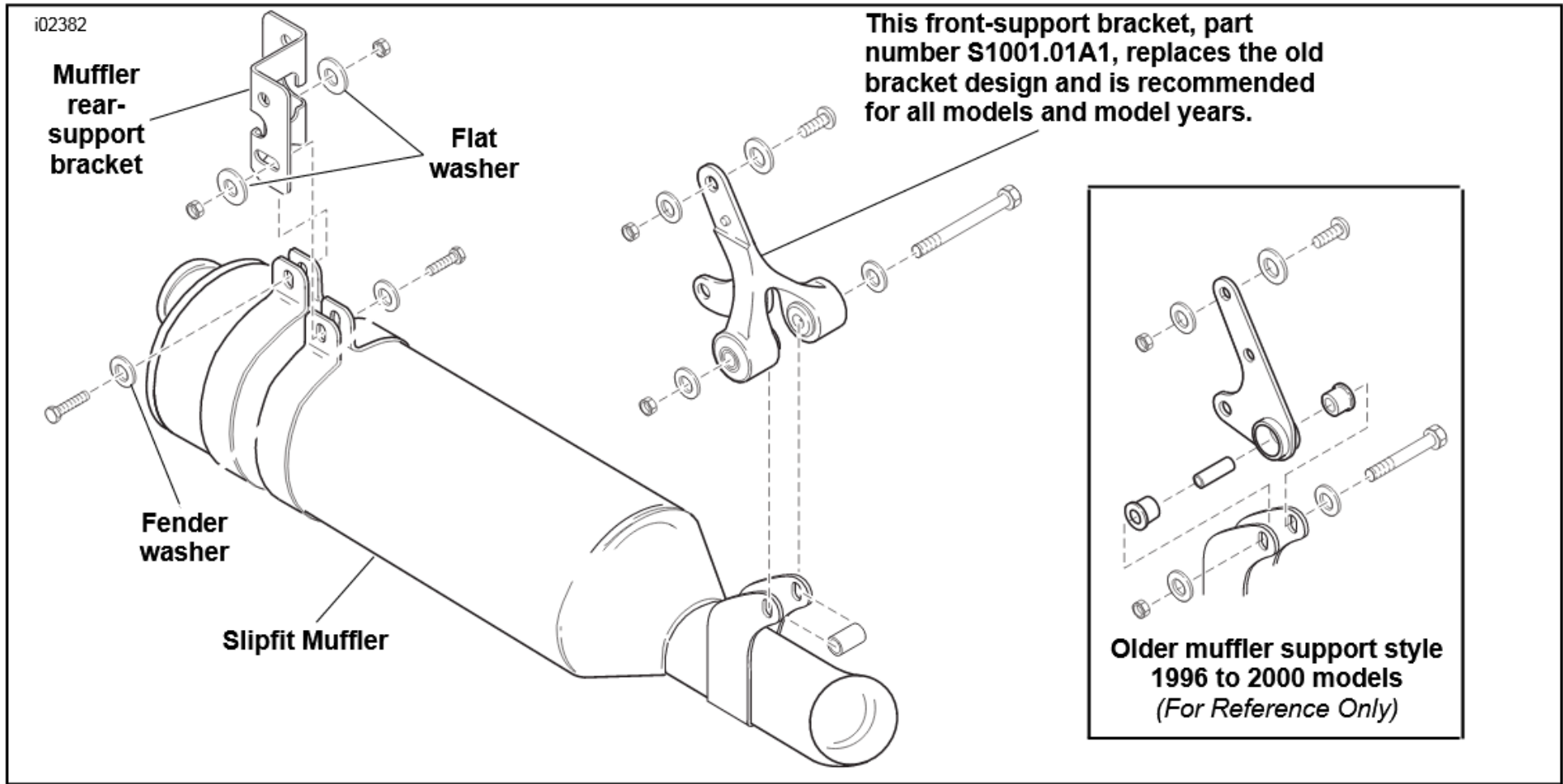


Figure 4. Slipfit Muffler and Stock Exhaust-Mounting Hardware

Part No. 65012-01Y

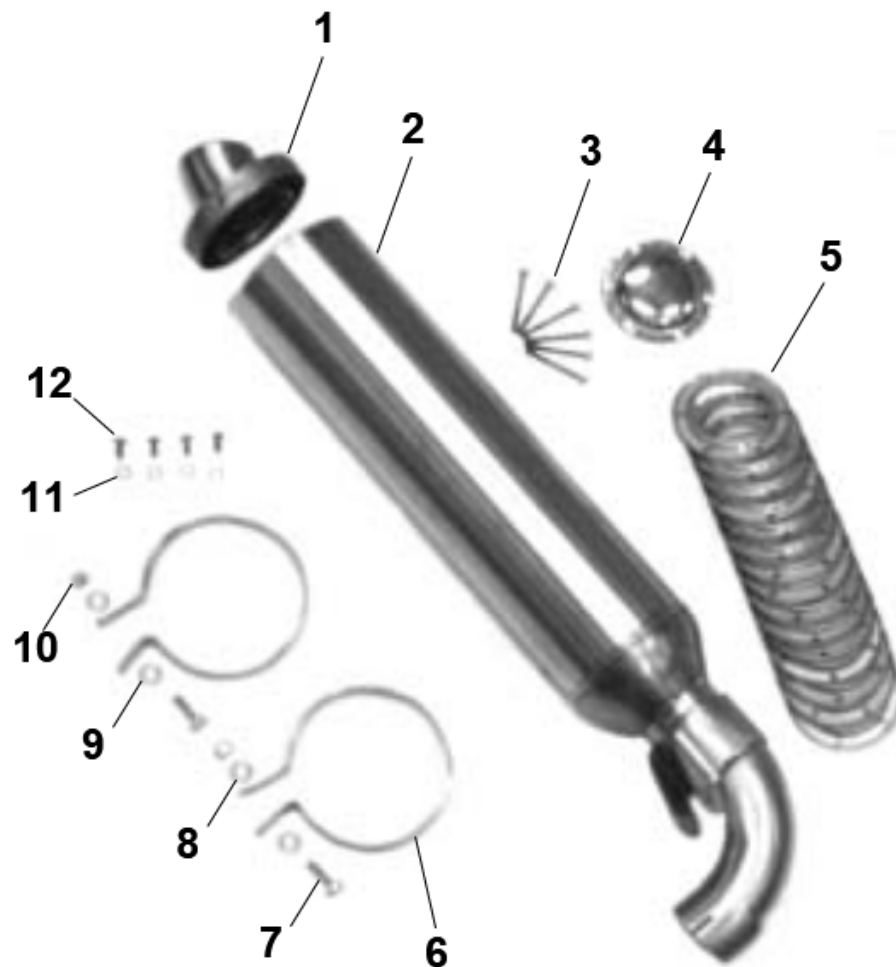
Date 7/01

Service Parts

Buell
AMERICAN MOTORCYCLES

Slipfit Muffler Kit

i02383



ITEM DESCRIPTION

- 1 Endcap
- 2 Muffler body
- 3 Screw, 10-24 x 2 in. (6)
- 4 Muffler-disc endcap
- 5 Muffler disc (15)
- 6 Rear-support straps (2)

PART NUMBER

- Not sold separately
- Not sold separately
- Not sold separately
- Not sold separately
- 65014-01Y
- 65016-01Y

ITEM DESCRIPTION

- 7 Bolt, 5/16-18 x 1 in. (2)
- 8 Washer, 5/16-in. flat (2)
- 9 Washer, 5/16-in. fender (2)
- 10 Nut, 5/16-in. Nylock (2)
- 11 Washer, star (4)
- 12 Screw, socket head, 1/2-20 x 1/2 in. (4)

PART NUMBER

- Not sold separately
- Not sold separately
- Not sold separately
- Not sold separately
- Not sold separately
- Not sold separately