

# INSTRUCTION SHEET

**Buell**  
AMERICAN MOTORCYCLES

-J01918 Part Numbers 59855-98Y, 59855-98YYA, 59855-98YYB, 59855-98YYL and 59855-98YYN REV. 12-22-99

## S1W TWIN TAIL

### General

The following instructions describe how to install the following Twin Tails on S1W models. For complete procedure see the 1998 S1/S1W SERVICE MANUAL.

#### NOTE

A Service Manual is available from your Buell Dealer.

Kit Number	Description
59855-98Y	Primed
59855-98YYA	Billet Metallic
59855-98YYB	Carbon Black
59855-98YYL	Molten Orange
59855-98YYN	Ice White Pearl

#### Kit Contents:

QTY	DESCRIPTION	PART NO.
1	Seat, Complete	52399-98Y
1	Seat, Screw Washer	11510Y
2	M6x1 Locknut	7735Y
2	Reflector, Side Rear	59337-96Y
1	Bracket, Seat Support	68867-98YA
1	Pad, RH Bracket	52390-98Y
1	Pad, LH Bracket	52391-98Y
1	Pad, Top Bracket	52392-98Y
1	Wiretie	69560-94Y

### Installation

- Use the 1998 S1/S1W LIGHTNING SERVICE MANUAL as a guide to remove the following parts.
  - Remove seat and tail section according to Service Manual Instructions. Save all hardware for reinstallation.
  - See Figure 1. Unplug rear turn signal and tail lamp wiring (4).
  - Cut washer holding seat screw (1). Discard washer and remove screw.
  - Remove bolt (3) holding tail lamp bracket to frame.
  - Remove two nuts (metric) and washers to detach tail lamp from tail lamp bracket. Discard nuts.
  - Remove turn signals.
- See Figure 2. Assemble removed hardware on new tail lamp bracket.
  - Attach left (4) and right (1) turn signals. Tighten nuts to 25-28 in-lbs (2.8-3.2 Nm). Make sure drain holes (5) on each turn signal face towards ground.
  - Attach tail lamp (3) to new bracket (6) using two new locknuts (metric).
- See Figure 3. Attach bracket assembly to frame.
  - Slide new tail lamp bracket assembly over frame. Frame tubing should rest on padding within bracket.

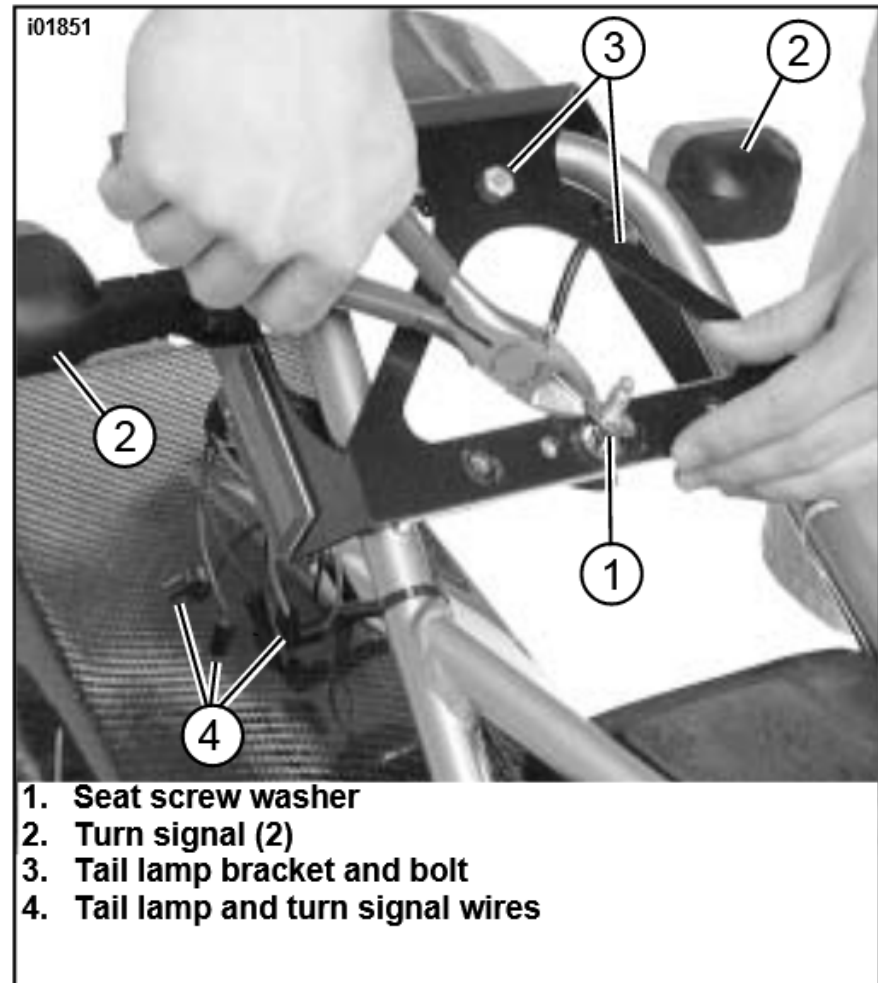


Figure 1. Removing Old Bracket

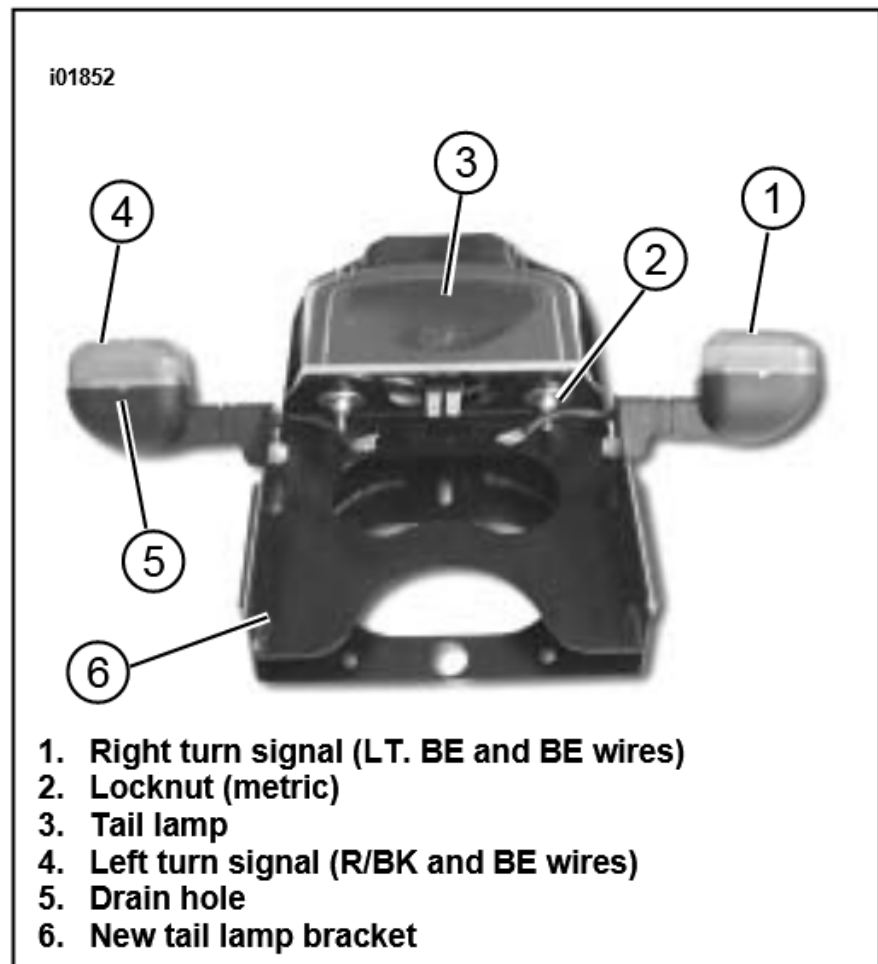
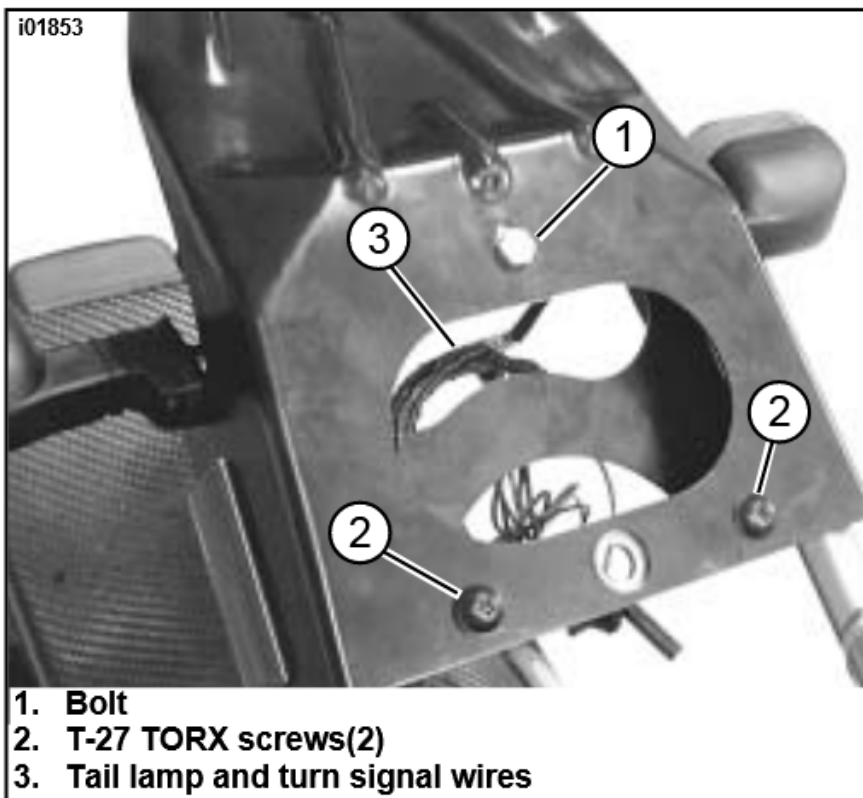


Figure 2. Installing New Bracket



1. Bolt
2. T-27 TORX screws(2)
3. Tail lamp and turn signal wires

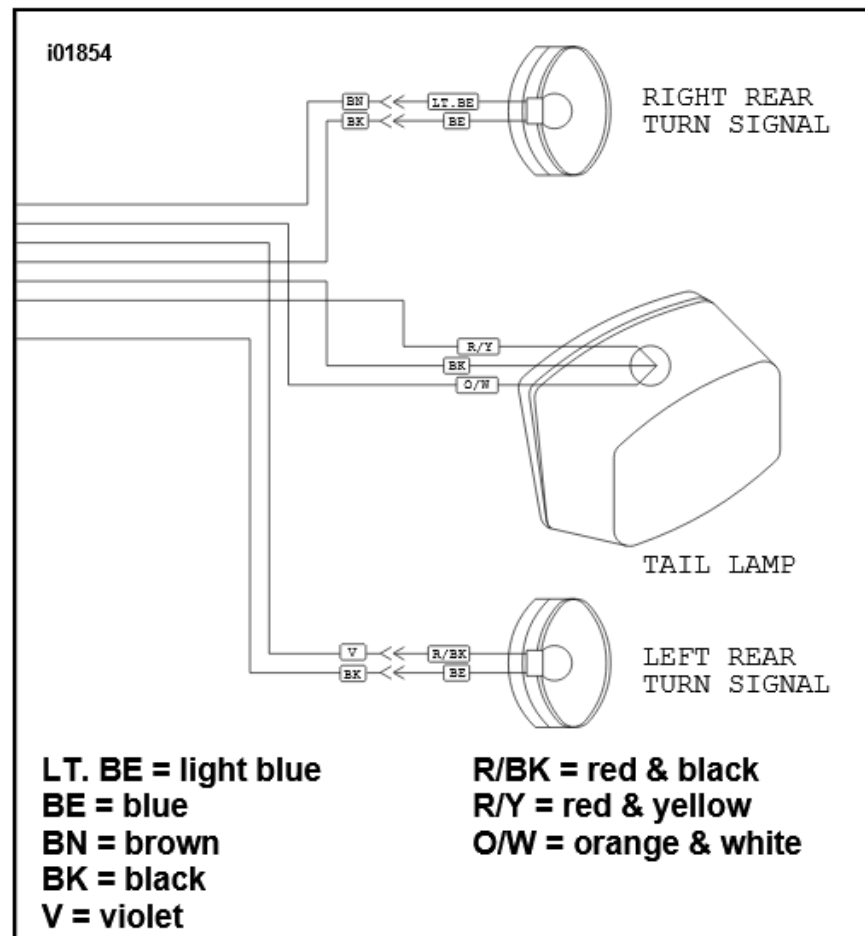
**Figure 3. Attaching New Bracket**

- b. Tail lamp and turn signal wiring (3) must fit in space between frame tubing.
  - c. Loosely install both T-27 TORX screws and washers (2).
  - d. Loosely install bolt (1) to secure new bracket. After bolt has been installed, tighten both T-27 TORX screws (2) securely.
  - e. Tighten bolt (1) to 10-12 ft-lbs (14-16 Nm). Remove both T-27 TORX screws and washers (2).
4. Install seat screw and a new seat screw washer (included in kit). Seat screw washer fits between tail lamp bracket and frame.
  5. Attach and secure wiring.
    - a. Left and right turn signals-see Figure 4.
    - b. Tail lamp-see Figure 5.
    - c. Bundle wires under frame. Secure bundle with a new cable strap.
  6. Install the new tail section with hardware removed in Step 1.

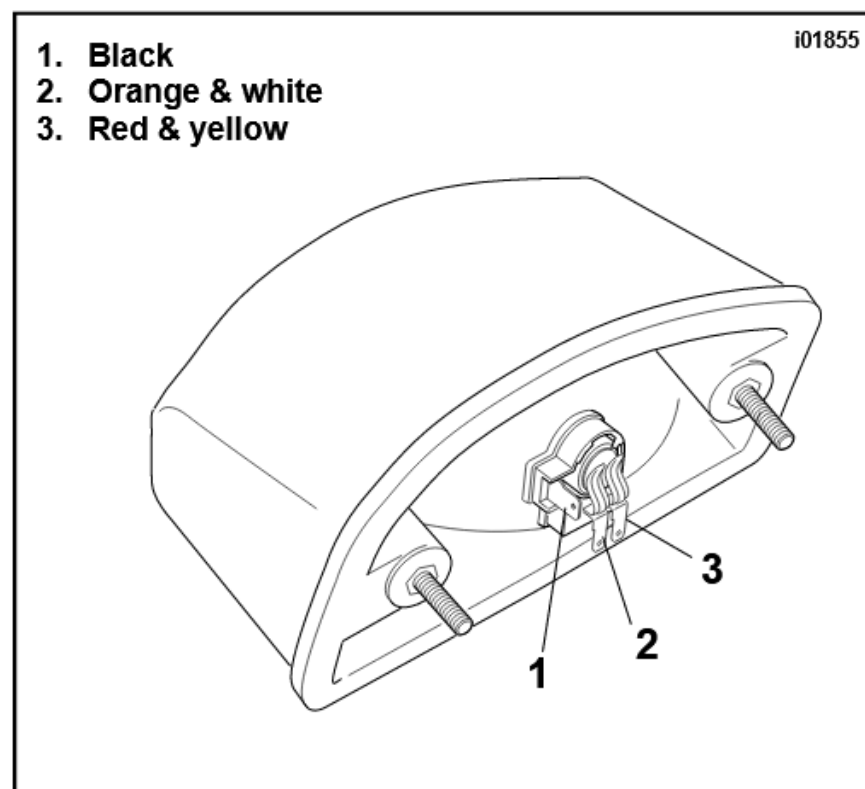
**⚠ WARNING**

Check for proper turn signal and brake light operation before riding motorcycle. Visibility is a major concern for motorcyclists. Failure to have proper turn signal or brake light operation could result in death or serious injury.

7. Check turn signals and brake light for proper operation. If operation fails, reread procedure and verify that all steps were performed.
  - a. Turn ignition key switch to IGN.
  - b. Tail lamp should be lit. Pull front brake hand lever and brake light should illuminate. Depress rear brake pedal and brake light should illuminate.



**Figure 4. Turn Signal Wiring**



**Figure 5. Tail Lamp Wiring**

- c. Activate left turn signals using switch on left handlebar. Front and rear left turn signals must flash.
- d. Activate right turn signals using switch on left handlebar. Front and rear right turn signals must flash.
- e. Turn ignition key switch to LOCK.

**⚠ WARNING**

After installing seat, pull upward on front of seat to be sure it is locked in position. If seat is loose, it could shift during vehicle operation causing loss of control of vehicle and death or serious injury.

8. Install seat.